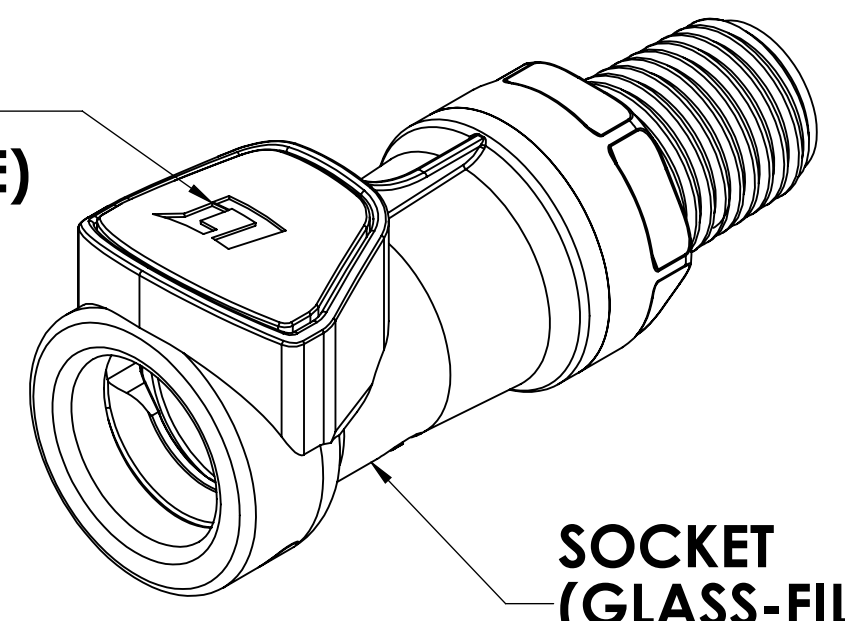


REVISIONS						
SHEET	ZONE	REV.	ECO	DESCRIPTION	DATE	APPROVED
1	ALL	A	50240	INITIAL RELEASE	6/9/2017	HRC
1	ALL	B	50253	UPDATE DWG TO CURRENT FORMAT & STANDARDS	10/23/2018	HRC

**LATCH
(GLASS-FILLED
POLYPROPYLENE)**

**SOCKET
(GLASS-FILLED
POLYPROPYLENE)**



**LATCH SPRING
INTERNAL
(STAINLESS STEEL)**

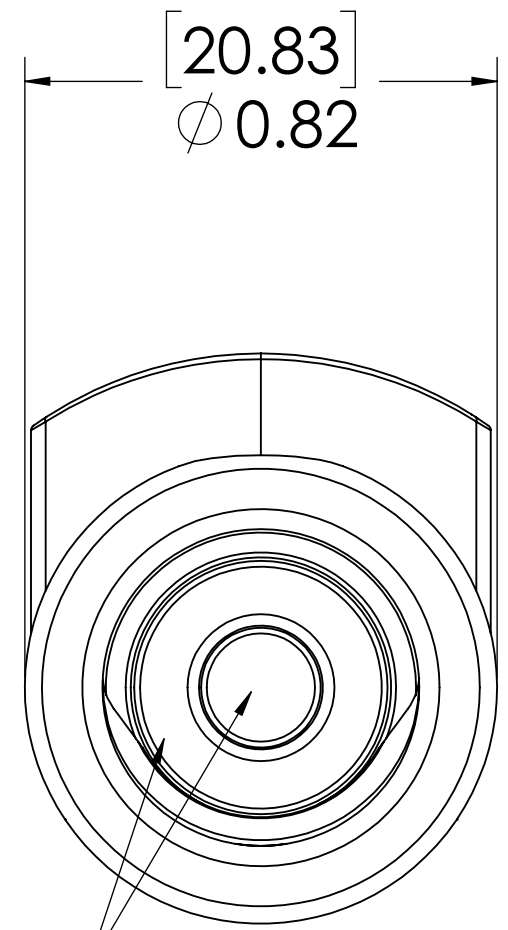
58.04 ± 0.76
 2.29 ± 0.03

25.15
 0.99

**1/4" NPT
(PIPE THREAD)**

**(2X) VALVE O-RING
INTERNAL
(EPDM)**

**VALVE SPRING
INTERNAL
(STAINLESS STEEL)**




**(2X) VALVE
(GLASS-FILLED
POLYPROPYLENE)**

NOTES:

- MATERIAL: GLASS FILLED POLYPROPYLENE
- COLOR: GREY
- O-RING MATERIAL: EPDM
- O-RINGS LUBRICATED WITH FOOD GRADE SILICONE OIL, 350 CST.

FOR REFERENCE ONLY

<small>UNLESS OTHERWISE SPECIFIED: DIMENSIONS ARE IN INCHES TOLERANCES: FRACTIONAL ± 1/32 ANGULAR: MACH ± 0.5 BEND ± 2 ONE PLACE DECIMAL ± 0.1 TWO PLACE DECIMAL ± 0.01 THREE PLACE DECIMAL ± 0.005 TWO PLACE DUAL (mm) [± 0.12]</small>	DRAWN	NAME	DATE	 PART NO: 55GPV-SE1-04 DESCRIPTION: LinkTech 55GP Series Male Thread Female, Valved, 1/4" NPT, Glass Filled Polypropylene
	CHECKED	HRC	5/5/17	
	ENG APPR.	HRC	6/9/17	
	MFG APPR.	BDB	6/9/17	
<small>PROPRIETARY AND CONFIDENTIAL</small> <small>THE INFORMATION CONTAINED IN THIS DRAWING IS THE SOLE PROPERTY OF LINKTECH LLC. ANY REPRODUCTION OR DISCLOSURE IN PART OR AS A WHOLE WITHOUT THE WRITTEN PERMISSION OF LINKTECH LLC IS STRICTLY PROHIBITED.</small>	Q.A.	JJB	6/9/17	<small>SCALE: NTS</small> <small>WEIGHT:</small> <small>SHEET 1 OF 1</small>
<small>COMMENTS:</small>		<small>SIZE</small> <small>DWG. NO.</small> <small>REV</small> C 55GP500026 B		