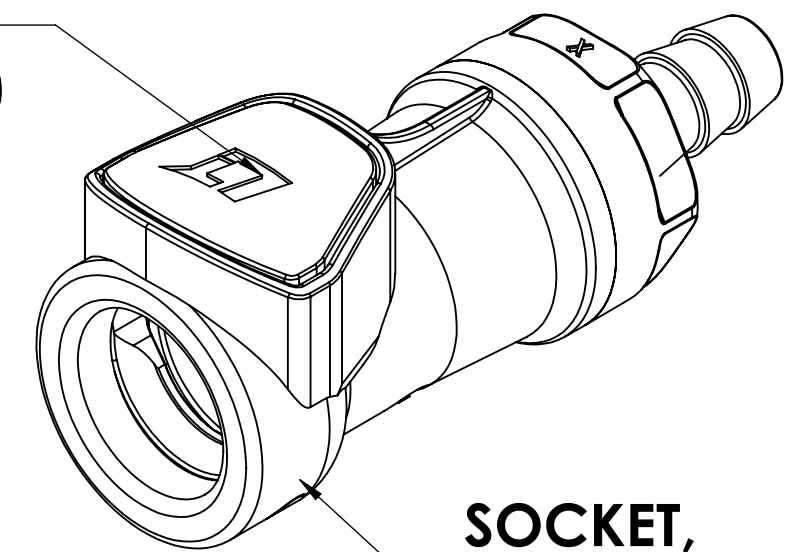
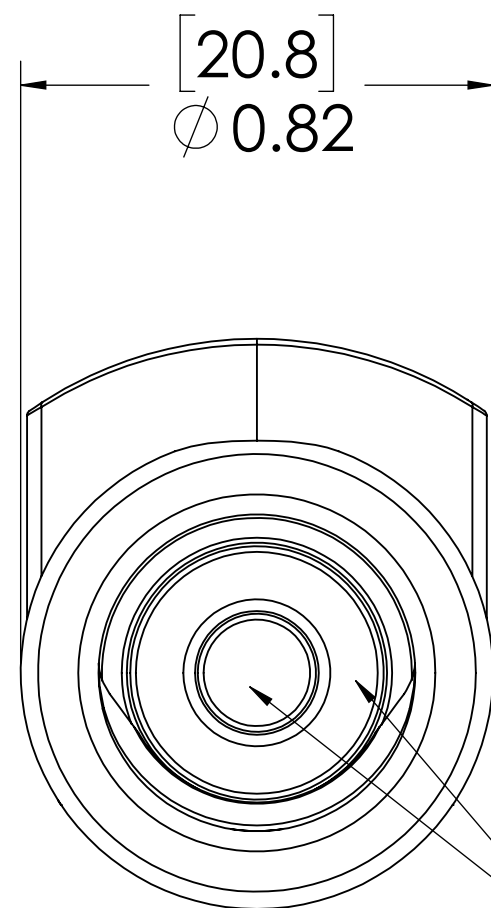


REVISIONS						
SHEET	ZONE	REV.	ECO	DESCRIPTION	DATE	APPROVED
1	ALL	A	50240	INITIAL RELEASE	6/9/2017	HRC
1	ALL	B	50253	UPDATE DRAWING FORMAT	10/23/2018	HRC

**LATCH,
(GLASS-FILLED
POLYPROPYLENE)**

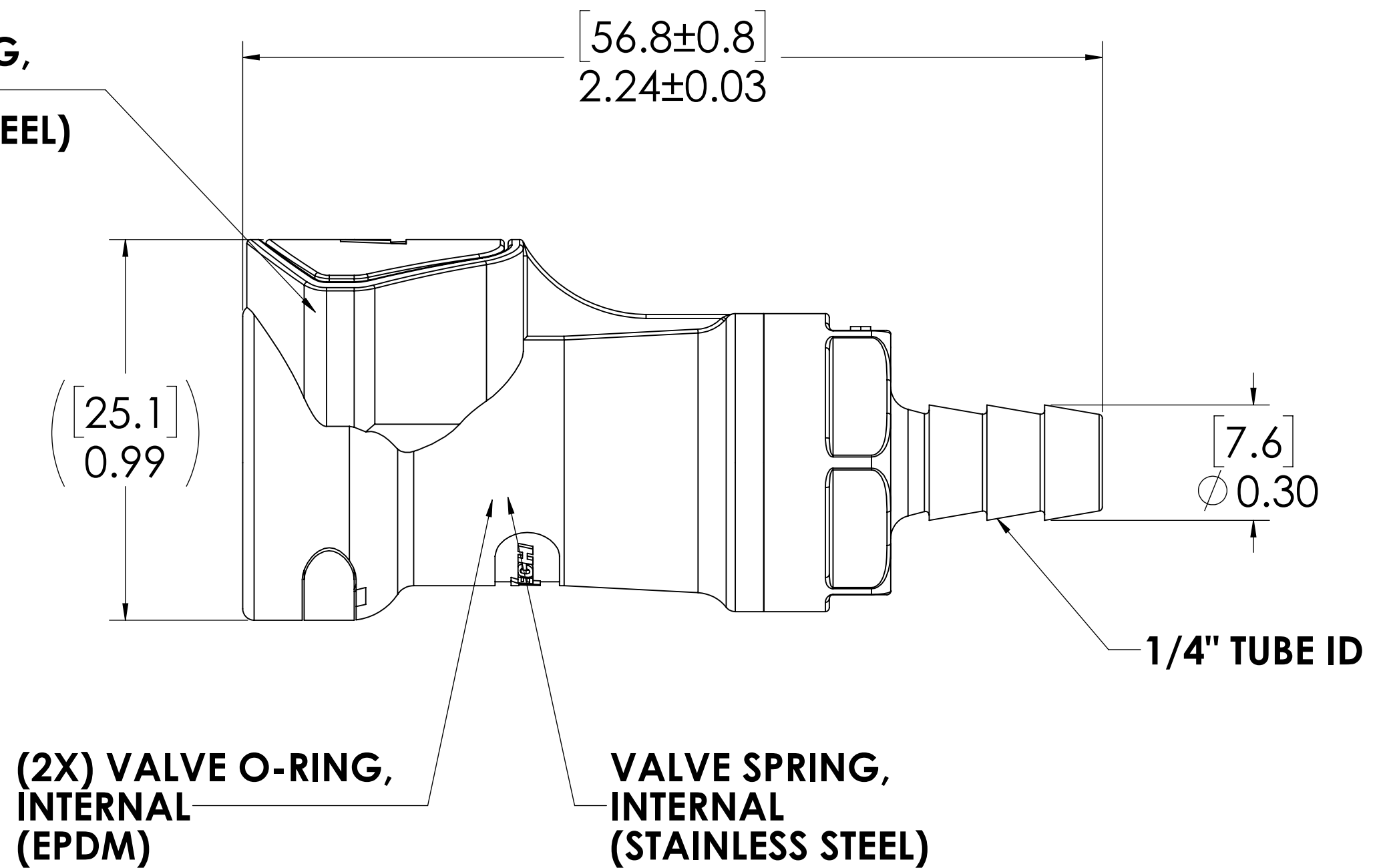


**SOCKET,
(GLASS-FILLED
POLYPROPYLENE)**



**VALVE,
(GLASS-FILLED
POLYPROPYLENE)**

**LATCH SPRING,
INTERNAL
(STAINLESS STEEL)**



**(2X) VALVE O-RING,
INTERNAL
(EPDM)**

**VALVE SPRING,
INTERNAL
(STAINLESS STEEL)**

1/4" TUBE ID

NOTES:

1. MATERIAL: GLASS FILLED POLYPROPYLENE
2. COLOR: GREY
3. O-RING MATERIAL: EPDM
4. O-RINGS LUBRICATED WITH FOOD GRADE SILICONE OIL, 350 CST.

FOR REFERENCE ONLY

<small>UNLESS OTHERWISE SPECIFIED: DIMENSIONS ARE IN INCHES TOLERANCES: FRACTIONAL ±1/32 ANGULAR: MACH ±0.5 BEND ±2 ONE PLACE DECIMAL ±0.1 TWO PLACE DECIMAL ±0.01 THREE PLACE DECIMAL ±0.005 TWO PLACE DUAL (mm) [±0.12]</small>	DRAWN	RDA	5/5/17	
	CHECKED	HRC	5/5/17	
	ENG APPR.	HRC	6/9/17	
	MFG APPR.	BDB	6/9/17	
<small>PROPRIETARY AND CONFIDENTIAL THE INFORMATION CONTAINED IN THIS DRAWING IS THE SOLE PROPERTY OF LINKTECH LLC. ANY REPRODUCTION OR DISCLOSURE IN PART OR AS A WHOLE WITHOUT THE WRITTEN PERMISSION OF LINKTECH LLC IS STRICTLY PROHIBITED.</small>	Q.A.	JJB	6/9/17	PART NO: 55GPV-SE2-04 DESCRIPTION: LinkTech 55GP Series Straight Female, Valved 250 HB, Glass Filled Polypropylene
SIZE DWG. NO. C 55GP500027		REV B		SCALE: NTS WEIGHT: SHEET 1 OF 1