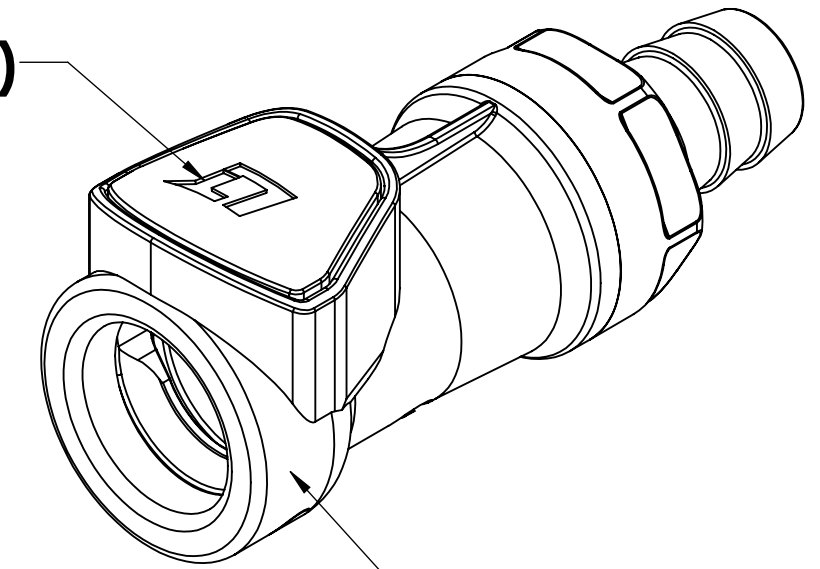


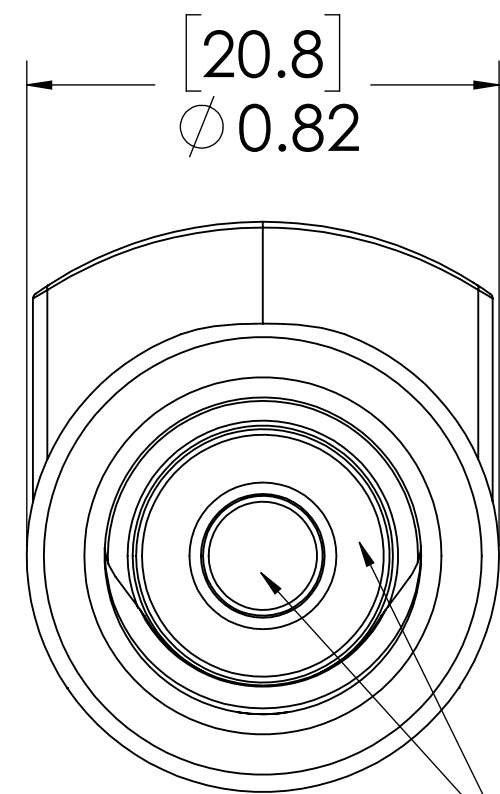
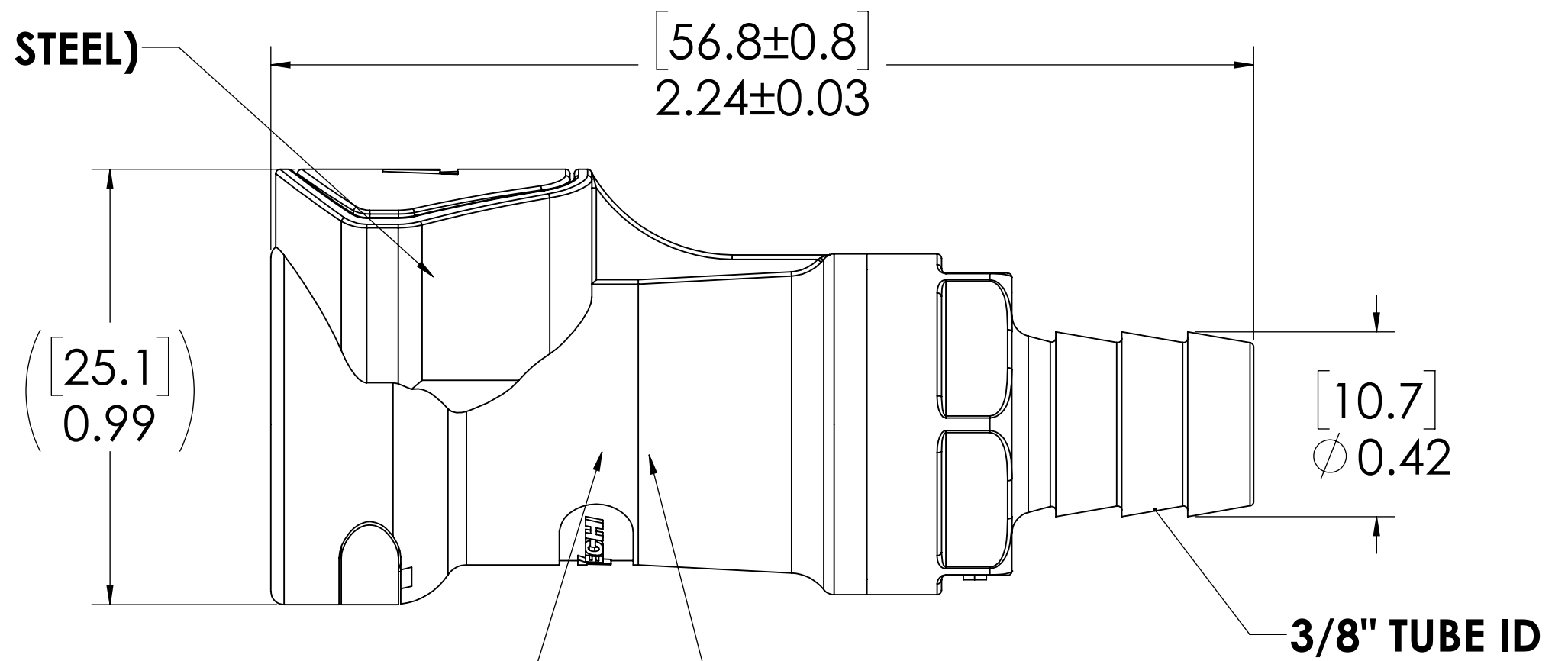
REVISIONS						
SHEET	ZONE	REV.	ECO	DESCRIPTION	DATE	APPROVED
1	ALL	A	50240	INITIAL RELEASE	6/9/2017	HRC
1	ALL	B	50253	UPDATE DWG TO CURRENT FORMAT & STANDARDS	10/23/2018	HRC

**LATCH  
(GLASS-FILLED  
POLYPROPYLENE)**



**SOCKET  
(GLASS-FILLED  
POLYPROPYLENE)**

**LATCH SPRING  
INTERNAL  
(STAINLESS STEEL)**



**(2X) VALVE  
(GLASS-FILLED  
POLYPROPYLENE)**

**(2X) VALVE O-RING  
INTERNAL  
(EPDM)**

**VALVE SPRING  
INTERNAL  
(STAINLESS STEEL)**

**NOTES:**

1. MATERIAL: GLASS-FILLED POLYPROPYLENE
2. COLOR: GREY
3. O-RING MATERIAL: EPDM
4. O-RINGS LUBRICATED WITH FOOD GRADE SILICONE OIL, 350 CST.

**FOR REFERENCE ONLY**

UNLESS OTHERWISE SPECIFIED: DIMENSIONS ARE IN INCHES TOLERANCES: FRACTIONAL ±1/32 ANGULAR: MACH ±0.5 BEND ±2 ONE PLACE DECIMAL ±0.1 TWO PLACE DECIMAL ±0.01 THREE PLACE DECIMAL ±0.005 TWO PLACE DUAL (mm) [±0.12]	DRAWN	NAME	DATE	
	CHECKED	HRC	7/14/16	
<b>PROPRIETARY AND CONFIDENTIAL</b>  THE INFORMATION CONTAINED IN THIS DRAWING IS THE SOLE PROPERTY OF LINKTECH LLC. ANY REPRODUCTION OR DISCLOSURE IN PART OR AS A WHOLE WITHOUT THE WRITTEN PERMISSION OF LINKTECH LLC IS STRICTLY PROHIBITED.	ENG APPR.	HRC	6/9/17	PART NO: <b>55GPV-SE2-06</b>  DESCRIPTION: LinkTech 55GP Series Straight Female, Valved, 375 HB, Glass Filled Polypropylene
	MFG APPR.	BDB	6/9/17	
	Q.A.	JJB	6/9/17	SIZE DWG. NO. REV <b>C</b> 55GP500028 <b>B</b>
	COMMENTS:			