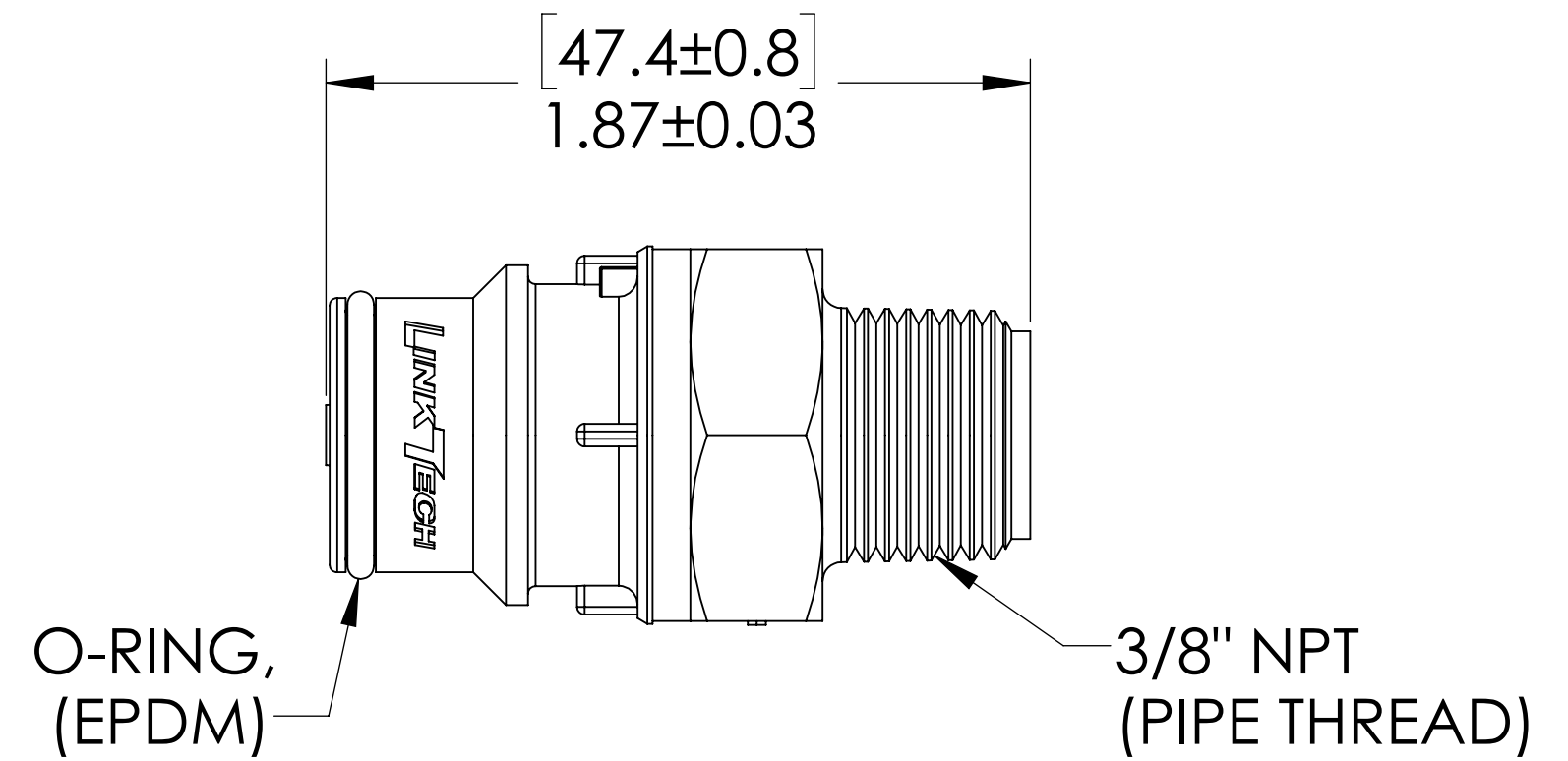
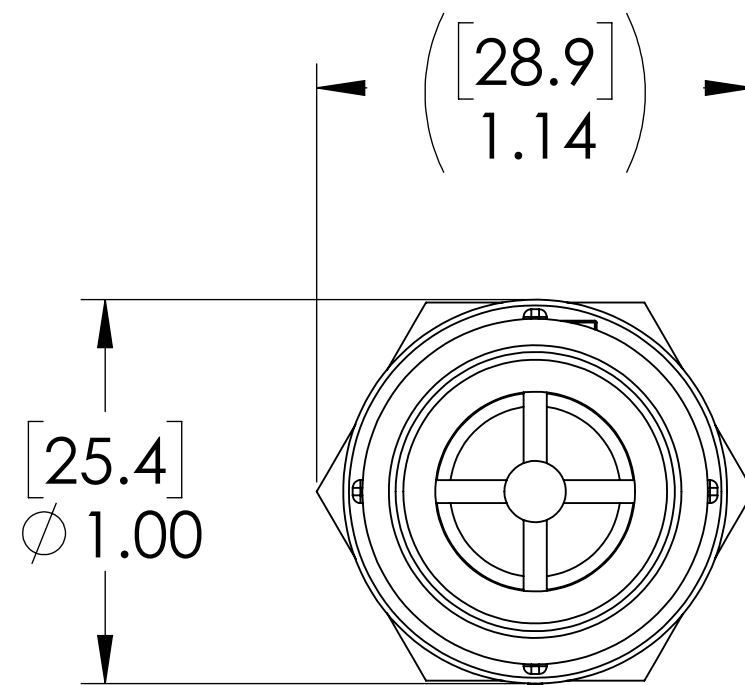
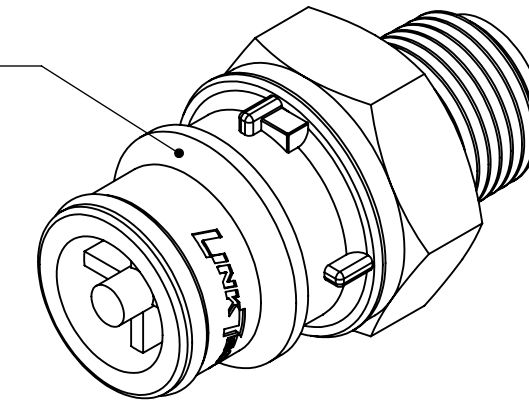


REVISIONS						
SHEET	ZONE	REV.	ECO	DESCRIPTION	DATE	APPROVED
1	ALL	A	50257	INITIAL RELEASE	6/25/2018	HRC

PLUG,  
(POLYPROPYLENE)



**NOTES:**

1. MATERIAL: POLYPROPYLENE
2. COLOR: BLACK
3. O-RING MATERIAL: EPDM
4. O-RINGS LUBRICATED WITH FOOD GRADE SILICONE OIL, 350 CST.

**FOR REFERENCE ONLY**

<small>UNLESS OTHERWISE SPECIFIED: DIMENSIONS ARE IN INCHES TOLERANCES: FRACTIONAL ± 1/32 ANGULAR: MACH ± 0.5 BEND ± 2 ONE PLACE DECIMAL ± 0.1 TWO PLACE DECIMAL ± 0.01 THREE PLACE DECIMAL ± 0.005 TWO PLACE DUAL (mm) [± 0.12]</small>	DRAWN	CGS	1/5/18	
	CHECKED	CKE	6/25/18	
	ENG APPR.	HRC	6/25/18	
	MFG APPR.	BDB	6/25/18	
PRODUCTION	LAS	6/25/18		<b>PART NO:</b> 60PP-PE1-06BLK  <b>DESCRIPTION:</b> LinkTech 60PP Series Male Thread Male, Non-valved 3/8" MNPT, Molded Black Color, Polypropylene
<small>PROPRIETARY AND CONFIDENTIAL THE INFORMATION CONTAINED IN THIS DRAWING IS THE SOLE PROPERTY OF LINKTECH LLC. ANY REPRODUCTION OR DISCLOSURE IN PART OR AS A WHOLE WITHOUT THE WRITTEN PERMISSION OF LINKTECH LLC IS STRICTLY PROHIBITED.</small>	COMMENTS:			<b>SIZE</b> DWG. NO. REV <b>C</b> 60PP600143 <b>A</b>
SCALE: NTS		WEIGHT:	SHEET 1 OF 1	