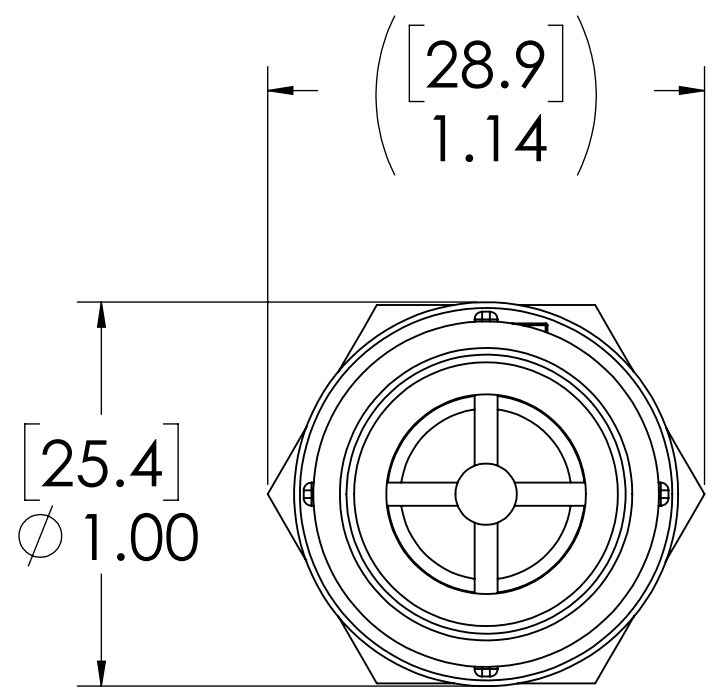
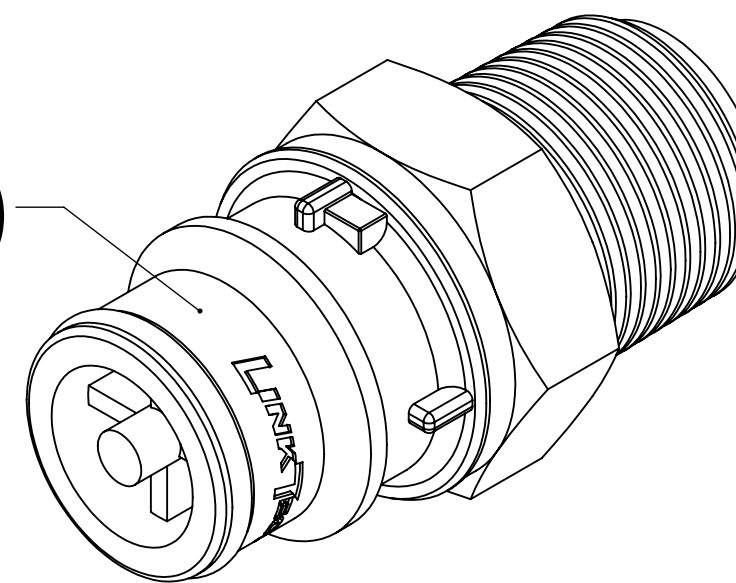
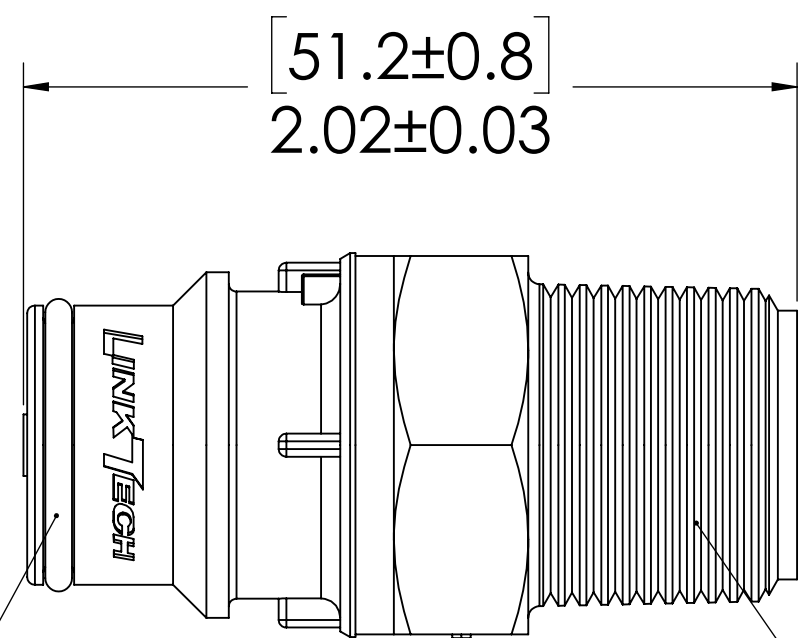


REVISIONS						
SHEET	ZONE	REV.	ECO	DESCRIPTION	DATE	APPROVED
1	ALL	A	50257	INITIAL RELEASE	6/25/2018	HRC

PLUG,  
(POLYPROPYLENE)



O-RING,  
(EPDM)



1/2" NPT  
(PIPE THREAD)

**NOTES:**

1. MATERIAL: POLYPROPYLENE
2. COLOR: BLACK
3. O-RING MATERIAL: EPDM
4. O-RINGS LUBRICATED WITH FOOD GRADE SILICONE OIL, 350 CST.

**FOR REFERENCE ONLY**

<small>UNLESS OTHERWISE SPECIFIED: DIMENSIONS ARE IN INCHES TOLERANCES: FRACTIONAL ±1/32 ANGULAR: MACH ±0.5 BEND ±2 ONE PLACE DECIMAL ±0.1 TWO PLACE DECIMAL ±0.01 THREE PLACE DECIMAL ±0.005 TWO PLACE DUAL (mm) [±0.12]</small>	DRAWN	C.DAVIS	7/6/15		
	CHECKED	CKE	6/25/18		PART NO: 60PP-PE1-08BLK
	ENG APPR.	HRC	6/25/18		DESCRIPTION: LinkTech 60PP Series Male Thread Male, Non-valved, 1/2" MNPT, Molded Black Color, Polypropylene
	MFG APPR.	BDB	6/25/18		SIZE DWG. NO. REV <b>C</b> 60PP600105 <b>A</b>
PRODUCTION	LAS	6/25/18	SCALE: NTS WEIGHT: SHEET 1 OF 1		
<small>PROPRIETARY AND CONFIDENTIAL THE INFORMATION CONTAINED IN THIS DRAWING IS THE SOLE PROPERTY OF LINKTECH LLC. ANY REPRODUCTION OR DISCLOSURE IN PART OR AS A WHOLE WITHOUT THE WRITTEN PERMISSION OF LINKTECH LLC IS STRICTLY PROHIBITED.</small>					