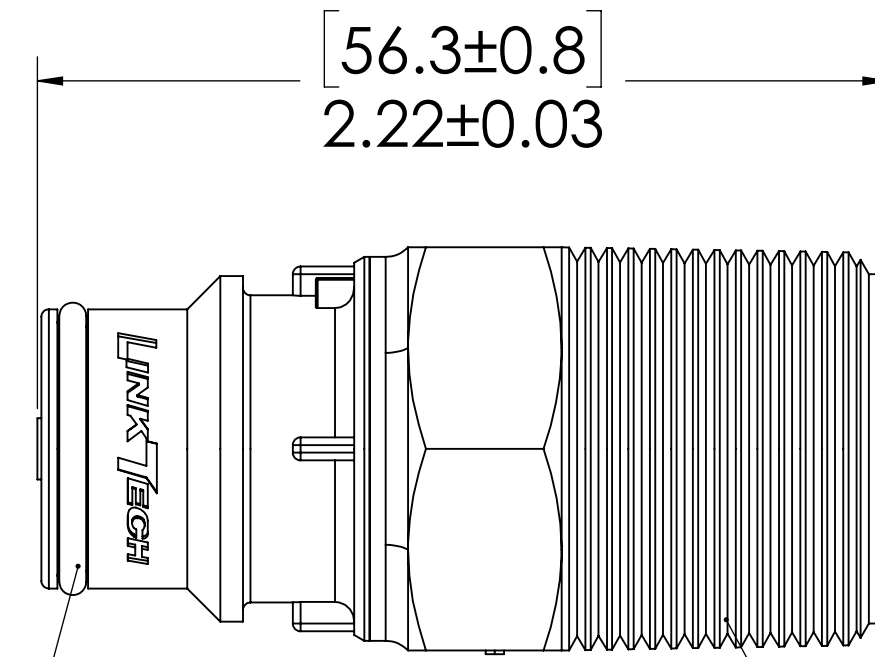
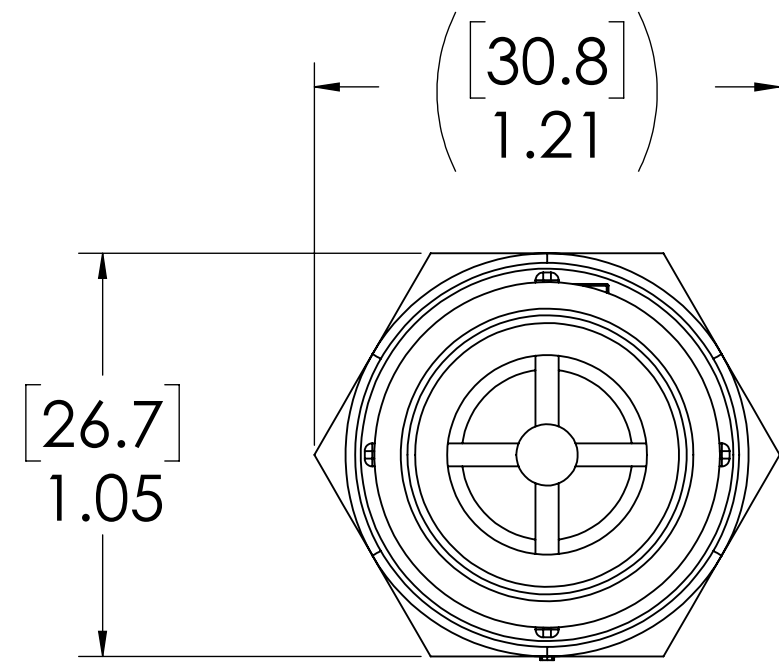
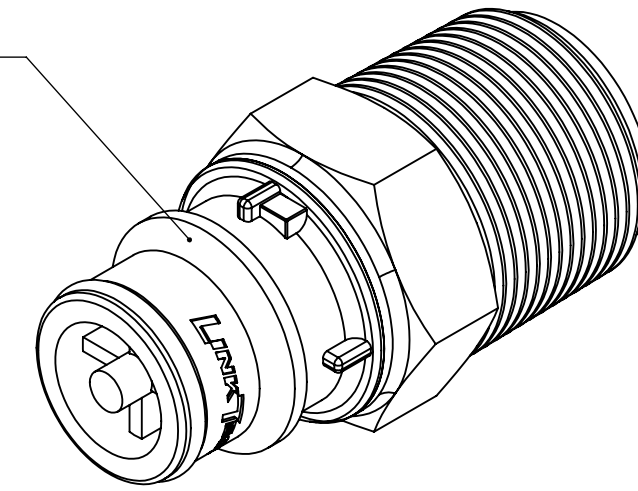


REVISIONS						
SHEET	ZONE	REV.	ECO	DESCRIPTION	DATE	APPROVED
1	A-8	A	.....	ADDED O-RING LUBRICATION NOTE	6/17/2014	HRC
1	ALL	A	50093	INITIAL RELEASE	9/10/2014	HRC
1	ALL	B	50257	O-RING AND DWG FORMAT UPDATE	6/25/2018	HRC

PLUG,  
(POLYPROPYLENE)



O-RING,  
(EPDM)

3/4" NPT  
(PIPE THREAD)

**NOTES:**

- MATERIAL: POLYPROPYLENE
- COLOR: GREY
- O-RING MATERIAL: EPDM
- O-RINGS LUBRICATED WITH FOOD GRADE SILICONE OIL, 350 CST.

**FOR REFERENCE ONLY**

<small>UNLESS OTHERWISE SPECIFIED: DIMENSIONS ARE IN INCHES TOLERANCES: FRACTIONAL ± 1/32 ANGULAR: MACH ± 0.5 BEND ± 2 ONE PLACE DECIMAL ± 0.1 TWO PLACE DECIMAL ± 0.01 THREE PLACE DECIMAL ± 0.005 TWO PLACE DUAL (mm) [± 0.12]</small>	DRAWN	HRC	8/19/13	
	CHECKED	CKE	6/25/18	
	ENG APPR.	HRC	6/25/18	
	MFG APPR.	BDB	6/25/18	
PRODUCTION	LAS	6/25/18		<b>PART NO: 60PP-PE1-12</b> <b>DESCRIPTION:</b> <b>LinkTech 60PP Series Male Thread Male, Non-valved 3/4" MNPT, Polypropylene</b>
<small>PROPRIETARY AND CONFIDENTIAL THE INFORMATION CONTAINED IN THIS DRAWING IS THE SOLE PROPERTY OF LINKTECH LLC. ANY REPRODUCTION OR DISCLOSURE IN PART OR AS A WHOLE WITHOUT THE WRITTEN PERMISSION OF LINKTECH LLC IS STRICTLY PROHIBITED.</small>	COMMENTS:			<b>SIZE DWG. NO.</b> <b>C 60PP600041</b>
				<b>REV</b> <b>B</b>
SCALE: NTS			WEIGHT:	SHEET 1 OF 1