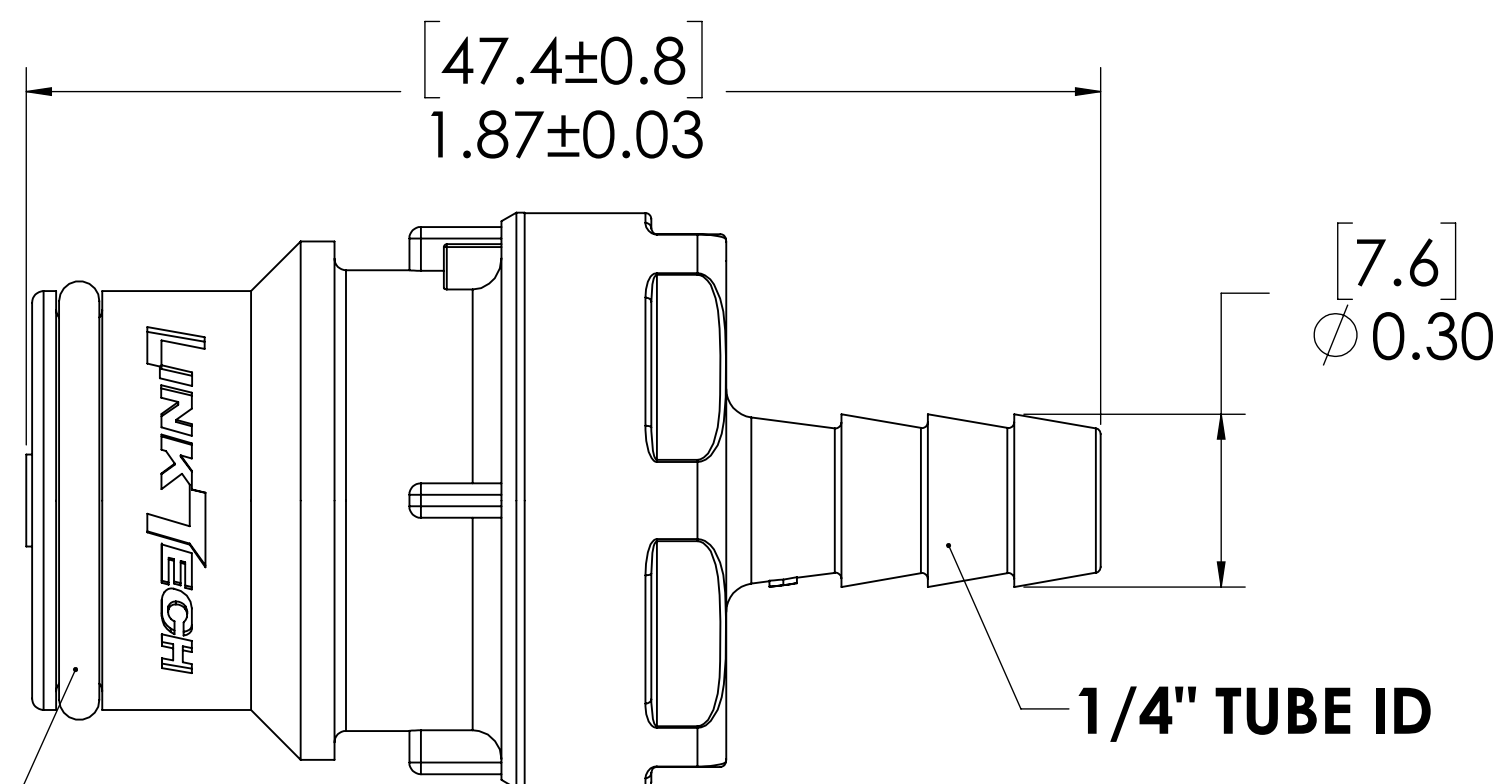
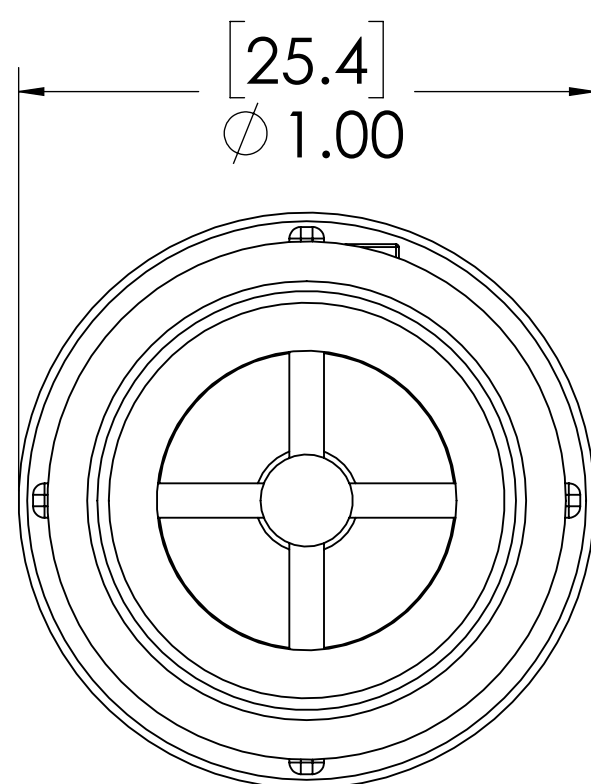
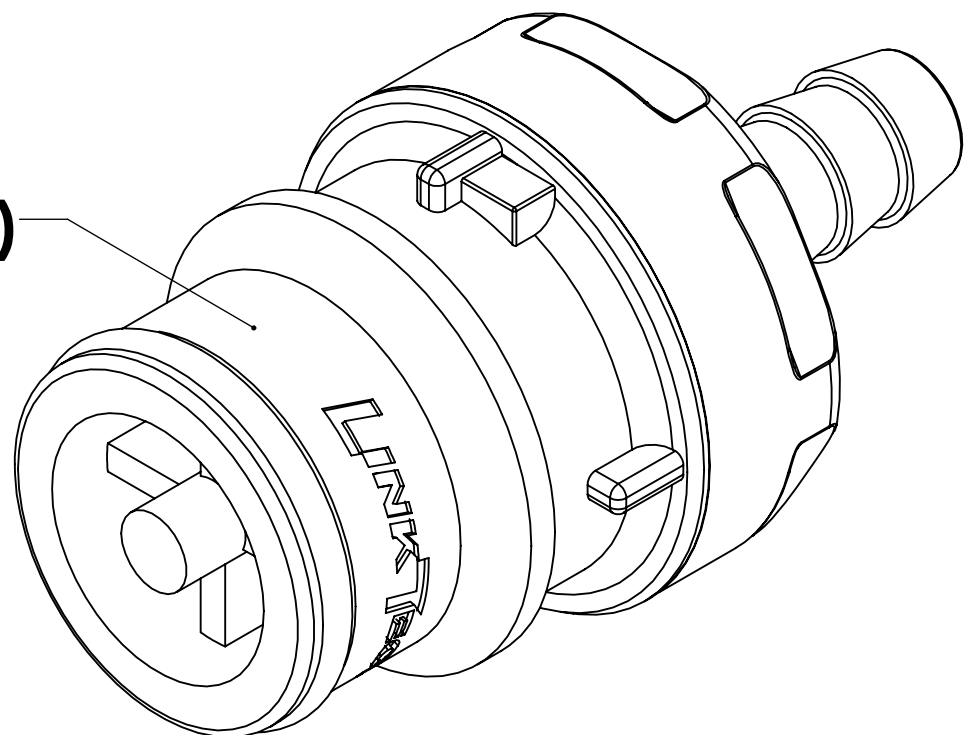


| REVISIONS |      |      |       |                 |           |          |
|-----------|------|------|-------|-----------------|-----------|----------|
| SHEET     | ZONE | REV. | ECO   | DESCRIPTION     | DATE      | APPROVED |
| 1         | ALL  | A    | 50257 | INITIAL RELEASE | 6/25/2018 | HRC      |

**PLUG  
(POLYPROPYLENE)**



**O-RING  
EXTERNAL  
(EPDM)**

**NOTES:**

- MATERIAL: POLYPROPYLENE
- COLOR: GREY
- O-RING MATERIAL: EPDM
- O-RINGS LUBRICATED WITH FOOD GRADE SILICONE OIL, 350 CST.

**FOR REFERENCE ONLY**

|  |           |         |          |  |
|--|-----------|---------|----------|--|
| <small>UNLESS OTHERWISE SPECIFIED:<br/>DIMENSIONS ARE IN INCHES<br/>TOLERANCES:<br/>FRACTIONAL ± 1/32<br/>ANGULAR: MACH ± 0.5 BEND ± 2<br/>ONE PLACE DECIMAL ± 0.1<br/>TWO PLACE DECIMAL ± 0.01<br/>THREE PLACE DECIMAL ± 0.005<br/>TWO PLACE DUAL (mm) [± 0.12]</small> | DRAWN     | CGS     | 12/18/17 |  |
|  | CHECKED   | CKE     | 6/25/18  |  |
|  | ENG APPR. | HRC     | 6/25/18  |  |
|  | MFG APPR. | BDB     | 6/25/18  |  |
| PRODUCTION   | LAS       | 6/25/18 |          | <b>PART NO: 60PP-PE2-04</b><br><b>DESCRIPTION:</b><br><b>LinkTech 60PP Series Straight Male, Non-valved 1/4" HB, Polypropylene</b> |
| <small>PROPRIETARY AND CONFIDENTIAL<br/>THE INFORMATION CONTAINED IN THIS DRAWING IS THE SOLE PROPERTY OF LINKTECH LLC. ANY REPRODUCTION OR DISCLOSURE IN PART OR AS A WHOLE WITHOUT THE WRITTEN PERMISSION OF LINKTECH LLC IS STRICTLY PROHIBITED.</small>              | COMMENTS: |         |          | <b>SIZE DWG. NO.</b><br><b>C 60PP600138</b>  |
|  |           |         |          | <b>REV</b><br><b>A</b>   |
|  |           |         |          | <b>SCALE: NTS WEIGHT: SHEET 1 OF 1</b>   |