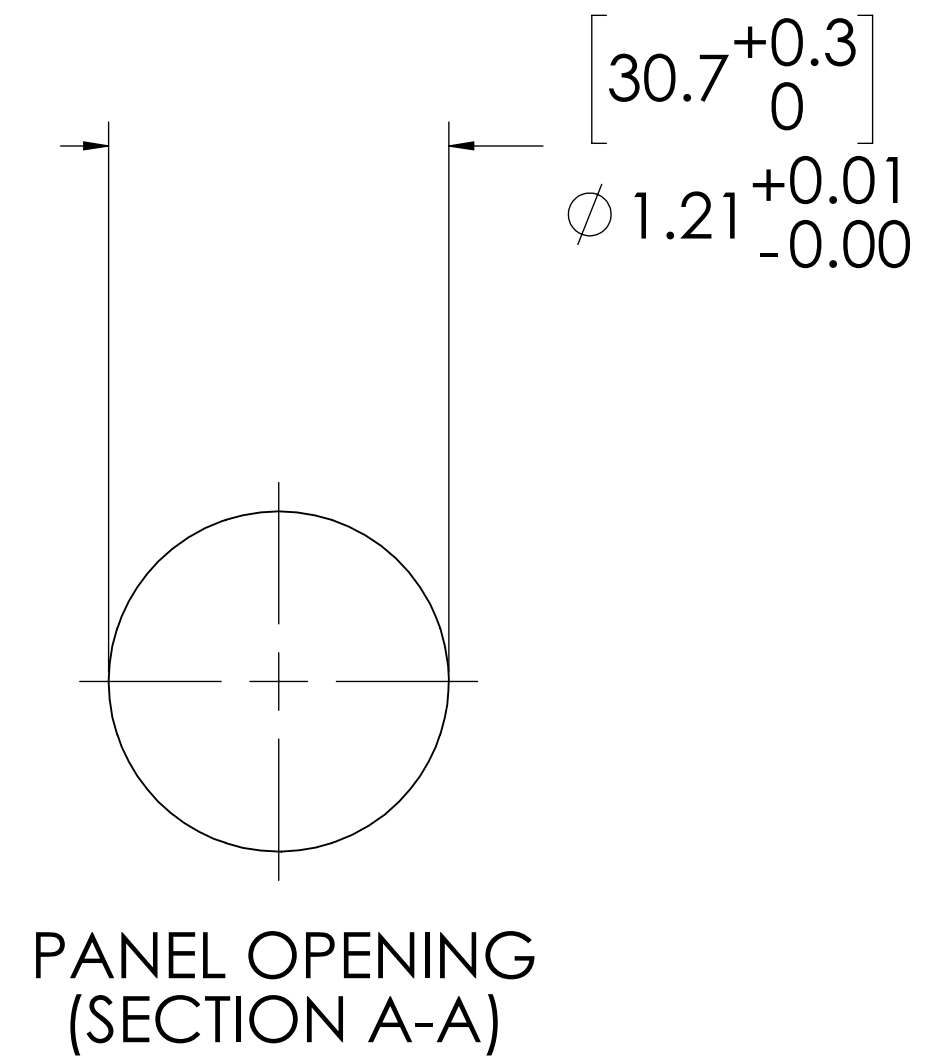
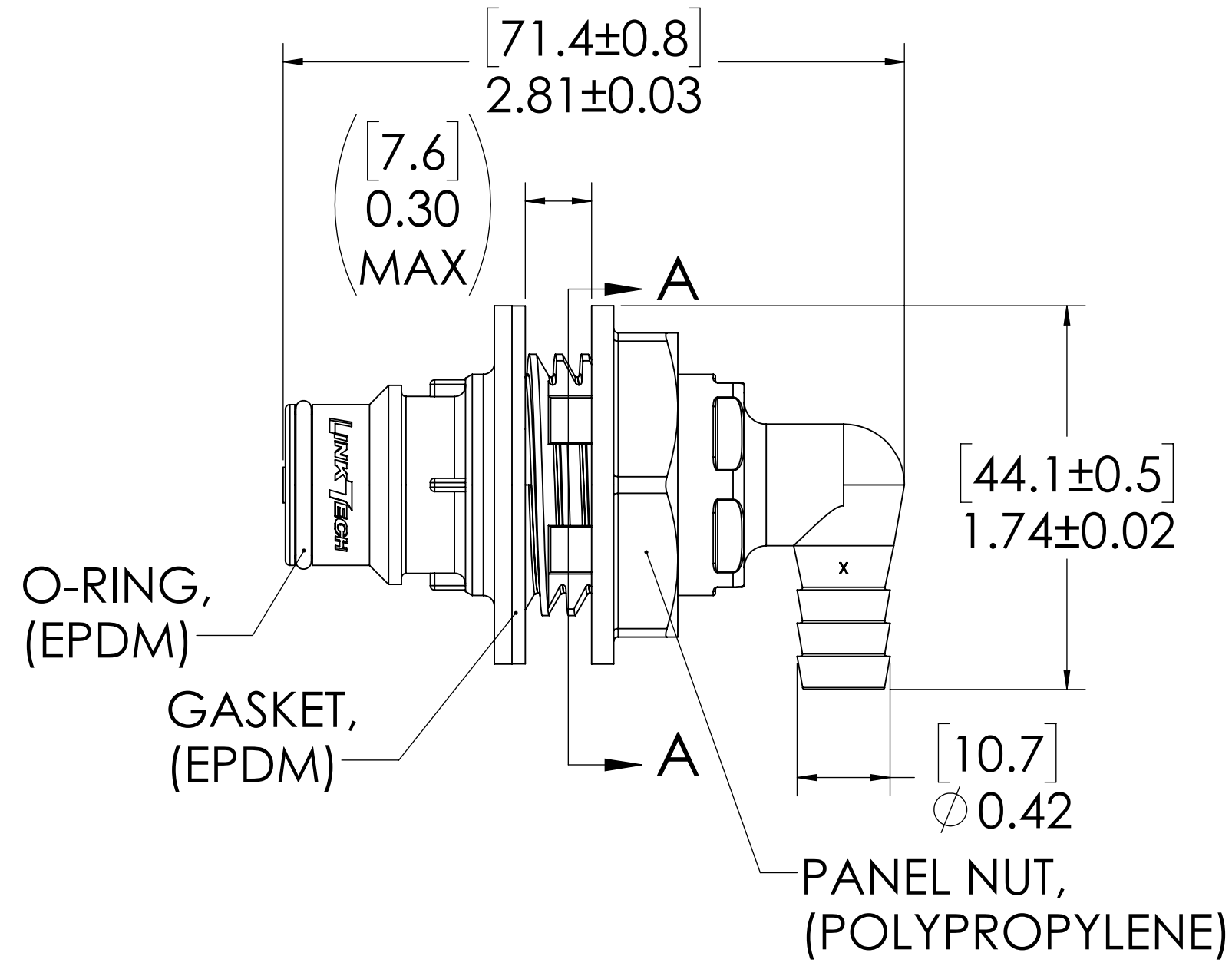
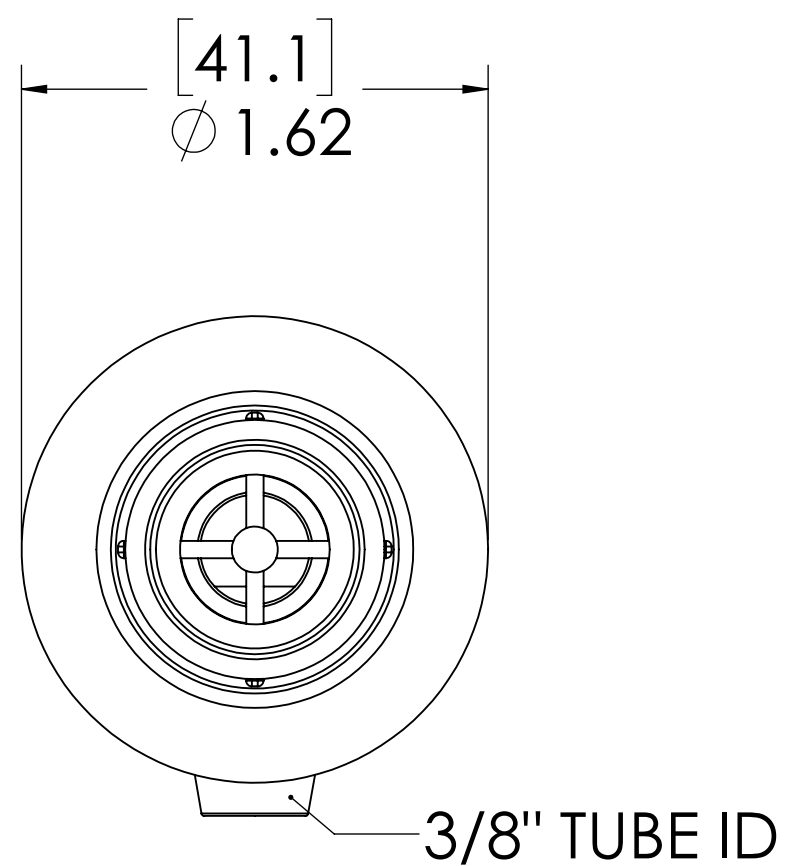
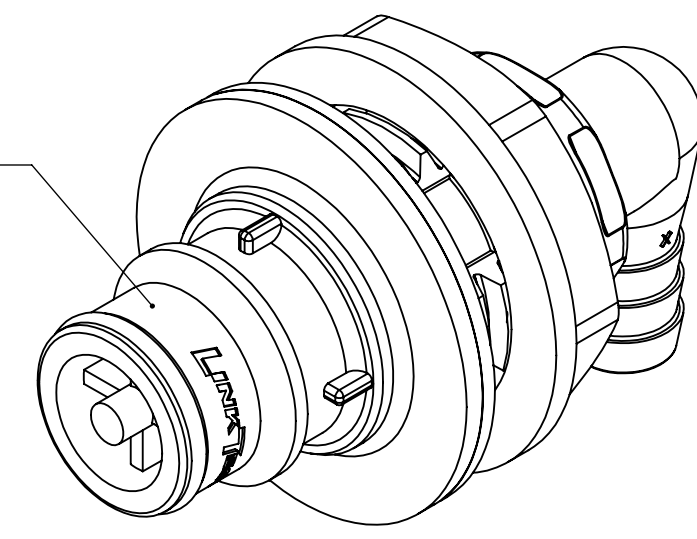


REVISIONS						
SHEET	ZONE	REV.	ECO	DESCRIPTION	DATE	APPROVED
1	ALL	A	50257	INITIAL RELEASE	06/12/2018	HRC

PLUG,  
(POLYPROPYLENE)



- NOTES:**
- MATERIAL: POLYPROPYLENE
  - COLOR: BLACK
  - O-RING MATERIAL: EPDM
  - O-RINGS LUBRICATED WITH FOOD GRADE SILICONE OIL, 350 CST.

**FOR REFERENCE ONLY**

<small>UNLESS OTHERWISE SPECIFIED: DIMENSIONS ARE IN INCHES TOLERANCES: FRACTIONAL ± 1/32 ANGULAR: MACH ± 0.5 BEND ± 2 ONE PLACE DECIMAL ± 0.1 TWO PLACE DECIMAL ± 0.01 THREE PLACE DECIMAL ± 0.005 TWO PLACE DUAL (mm) [± 0.12]</small>	DRAWN	CGS	1/5/18	
	CHECKED	CKE	1/5/18	
	ENG APPR.	HRC	6/12/18	
	MFG APPR.	BDB	6/12/18	
PRODUCTION	LAS	6/12/18		<b>PART NO:</b> 60PP-PE22-06BLK <b>DESCRIPTION:</b> LinkTech 60PP Series Panel Mt. Male, Non-valved 3/8" HB Elbow, Molded Black Color, Polypropylene
<small>PROPRIETARY AND CONFIDENTIAL THE INFORMATION CONTAINED IN THIS DRAWING IS THE SOLE PROPERTY OF LINKTECH LLC. ANY REPRODUCTION OR DISCLOSURE IN PART OR AS A WHOLE WITHOUT THE WRITTEN PERMISSION OF LINKTECH LLC IS STRICTLY PROHIBITED.</small>	COMMENTS:			<b>SIZE</b> DWG. NO. REV <b>C</b> 60PP600147 <b>A</b>
SCALE: NTS		WEIGHT:	SHEET 1 OF 1	