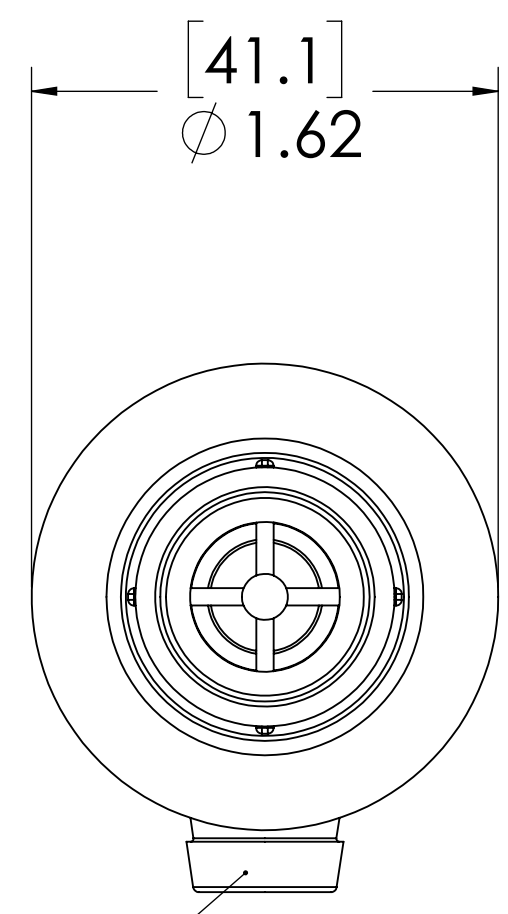
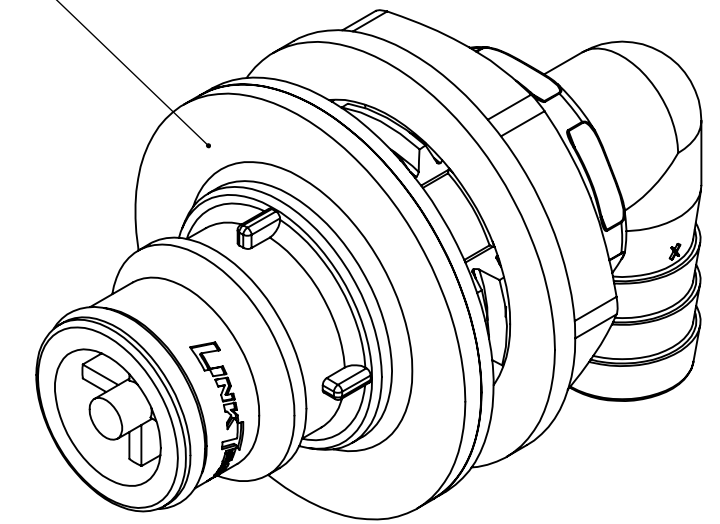
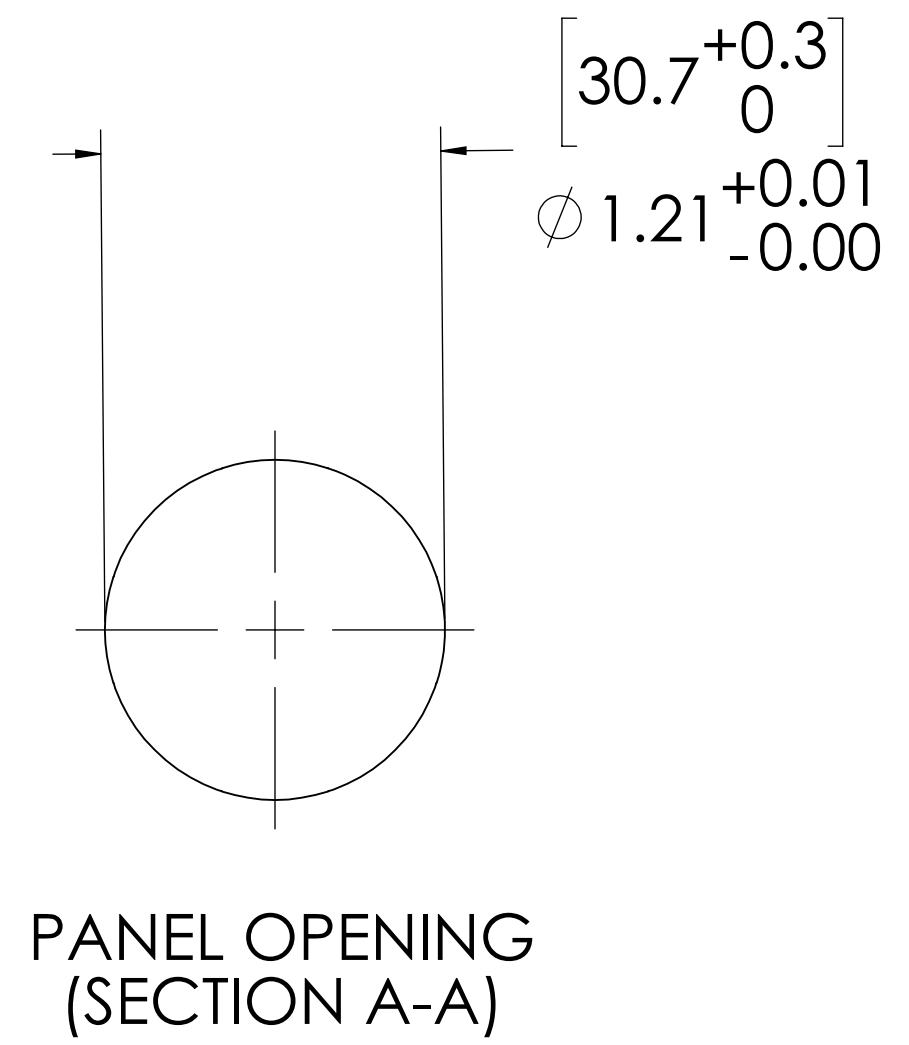
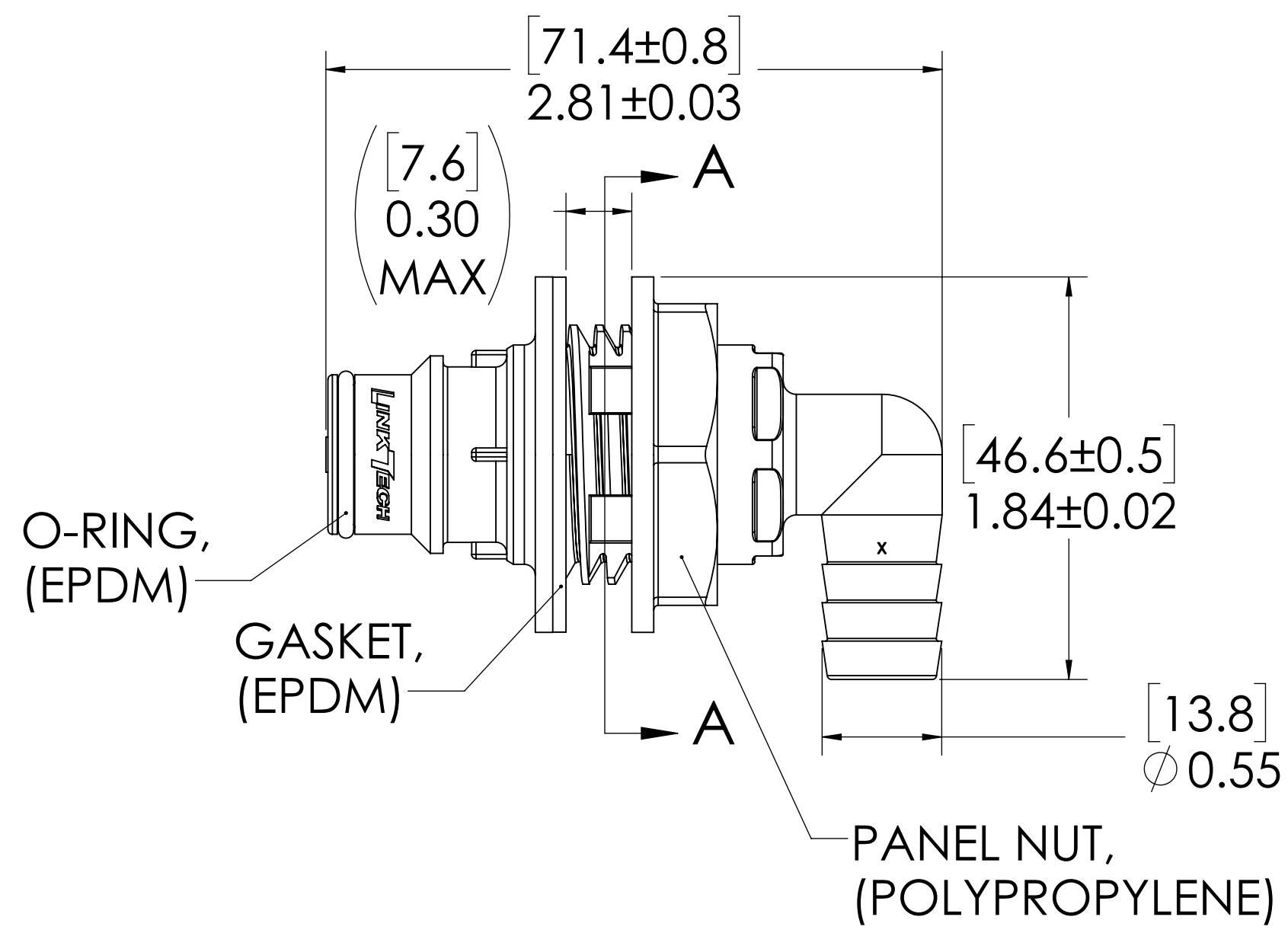


REVISIONS						
SHEET	ZONE	REV.	ECO	DESCRIPTION	DATE	APPROVED
1	ALL	NC	50093	INITIAL RELEASE	9/10/14	HRC
1	ALL	A	50257	O-RING AND DWG FORMAT UPDATE	06/12/2018	HRC

PLUG,
(POLYPROPYLENE)



1/2" TUBE ID



NOTES:

- MATERIAL: POLYPROPYLENE
- COLOR: GREY
- O-RING MATERIAL: EPDM
- O-RINGS LUBRICATED WITH FOOD GRADE SILICONE OIL, 350 CST.

FOR REFERENCE ONLY

<small>UNLESS OTHERWISE SPECIFIED: DIMENSIONS ARE IN INCHES TOLERANCES: FRACTIONAL ± 1/32 ANGULAR: MACH ± 0.5 BEND ± 2 ONE PLACE DECIMAL ± 0.1 TWO PLACE DECIMAL ± 0.01 THREE PLACE DECIMAL ± 0.005 TWO PLACE DUAL (mm) [± 0.12]</small>	DRAWN	HRC	6/23/14	
	CHECKED	CKE	6/12/18	
	ENG APPR.	HRC	06/12/18	
	MFG APPR.	BDB	06/12/18	
PRODUCTION	LAS	06/12/18		PART NO: 60PP-PE22-08 DESCRIPTION: LinkTech 60PP Series Panel Mt. Male, Non-valved 1/2" HB Elbow, Polypropylene
<small>THE INFORMATION CONTAINED IN THIS DRAWING IS THE SOLE PROPERTY OF LINKTECH LLC. ANY REPRODUCTION OR DISCLOSURE IN PART OR AS A WHOLE WITHOUT THE WRITTEN PERMISSION OF LINKTECH LLC IS STRICTLY PROHIBITED.</small>	PROPRIETARY AND CONFIDENTIAL			SIZE DWG. NO. REV C 60PP600082 A
	SCALE: NTS		WEIGHT:	SHEET 1 OF 1