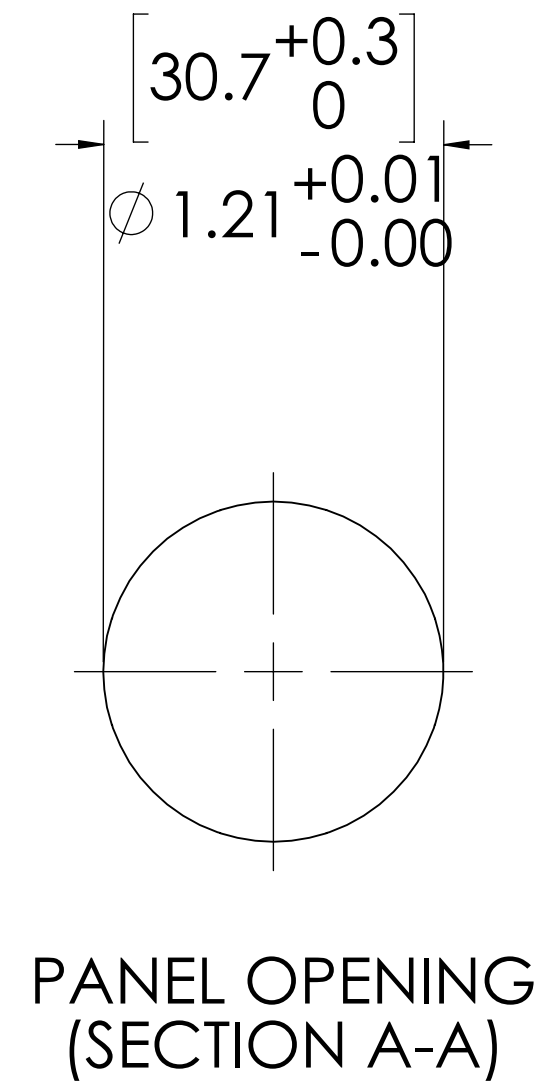
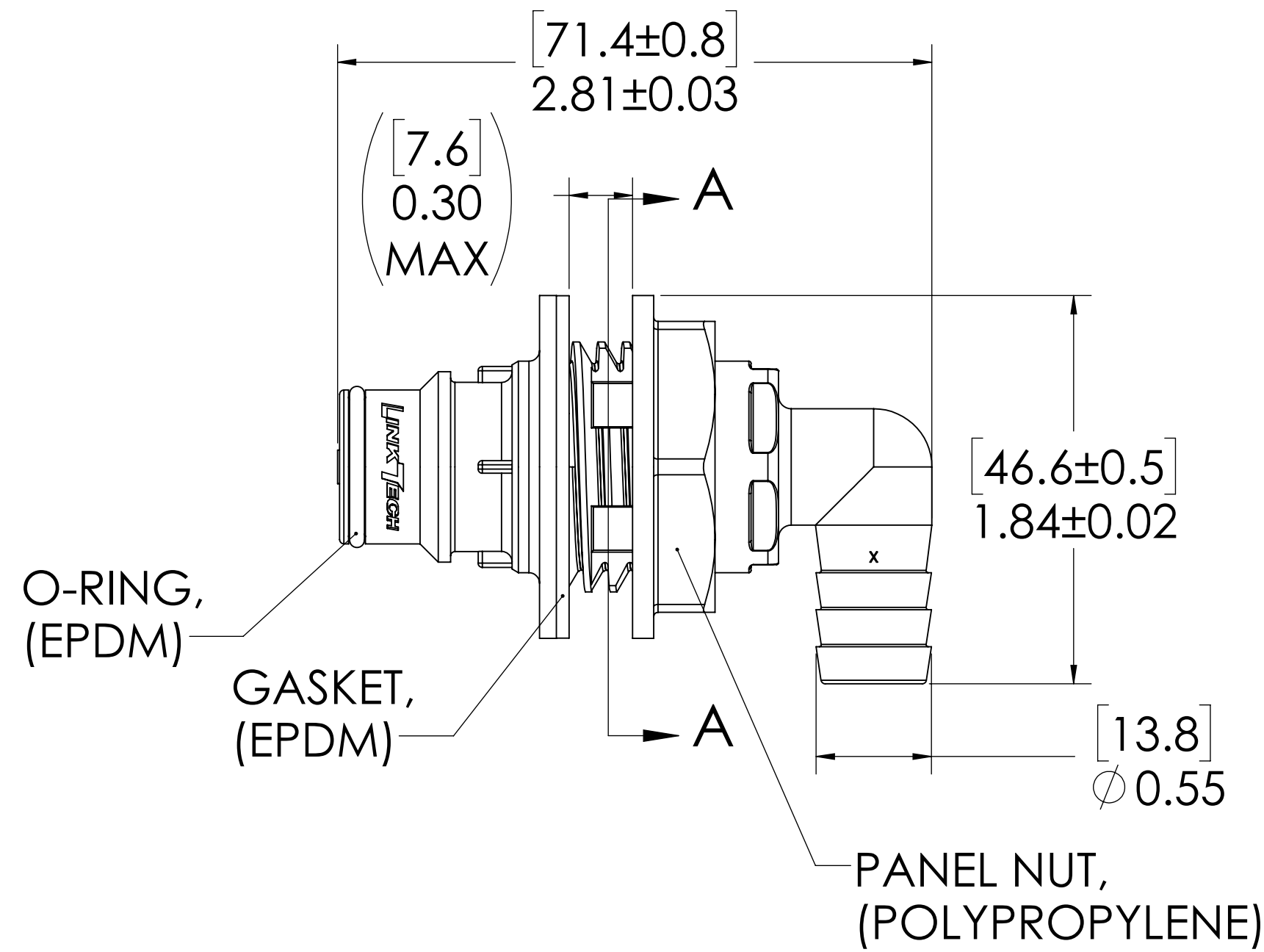
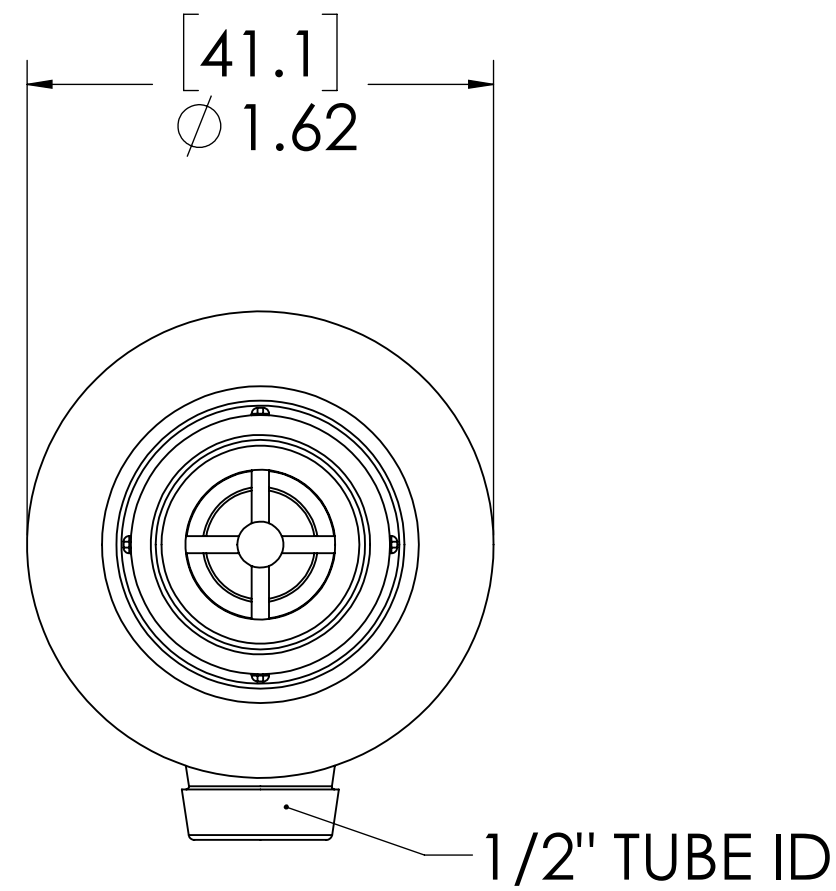
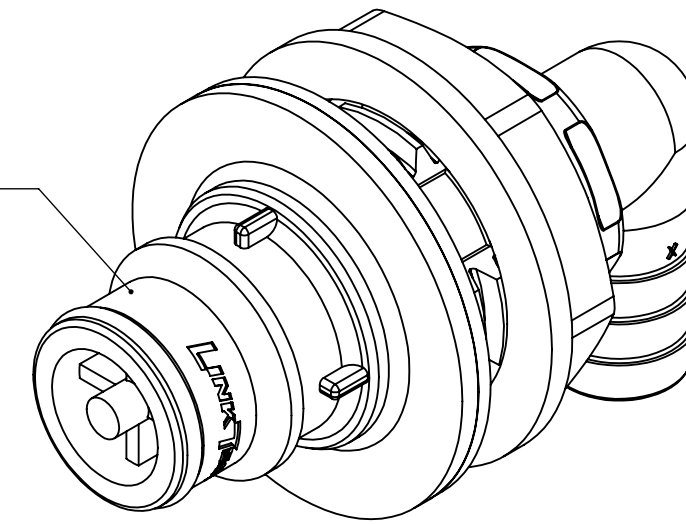


REVISIONS						
SHEET	ZONE	REV.	ECO	DESCRIPTION	DATE	APPROVED
1	ALL	A	50257	INITIAL RELEASE	06/12/2018	HRC

PLUG,
(POLYPROPYLENE)



NOTES:

- MATERIAL: POLYPROPYLENE
- COLOR: BLACK
- O-RING MATERIAL: EPDM
- O-RINGS LUBRICATED WITH FOOD GRADE SILICONE OIL, 350 CST.

FOR REFERENCE ONLY

<small>UNLESS OTHERWISE SPECIFIED: DIMENSIONS ARE IN INCHES TOLERANCES: FRACTIONAL $\pm 1/32$ ANGULAR: MACH ± 0.5 BEND ± 2 ONE PLACE DECIMAL ± 0.1 TWO PLACE DECIMAL ± 0.01 THREE PLACE DECIMAL ± 0.005 TWO PLACE DUAL (mm) $[\pm 0.12]$</small>	DRAWN	C.DAVIS	7/6/15		
	CHECKED	CKE	4/10/18		PART NO: 60PP-PE22-08BLK
	ENG APPR.	HRC	6/12/18		DESCRIPTION: LinkTech 60PP Series Panel Mt. Male, Non-valved 1/2" HB Elbow, Molded Black Color, Polypropylene
	MFG APPR.	BDB	6/12/18		SIZE DWG. NO. REV C 60PP600108 A
PRODUCTION	LAS	6/12/18	SCALE: NTS WEIGHT: SHEET 1 OF 1		
<small>PROPRIETARY AND CONFIDENTIAL THE INFORMATION CONTAINED IN THIS DRAWING IS THE SOLE PROPERTY OF LINKTECH LLC. ANY REPRODUCTION OR DISCLOSURE IN PART OR AS A WHOLE WITHOUT THE WRITTEN PERMISSION OF LINKTECH LLC IS STRICTLY PROHIBITED.</small>					