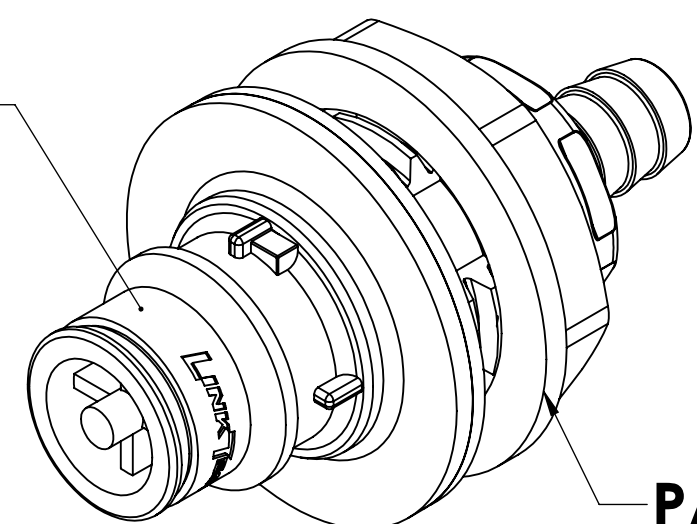
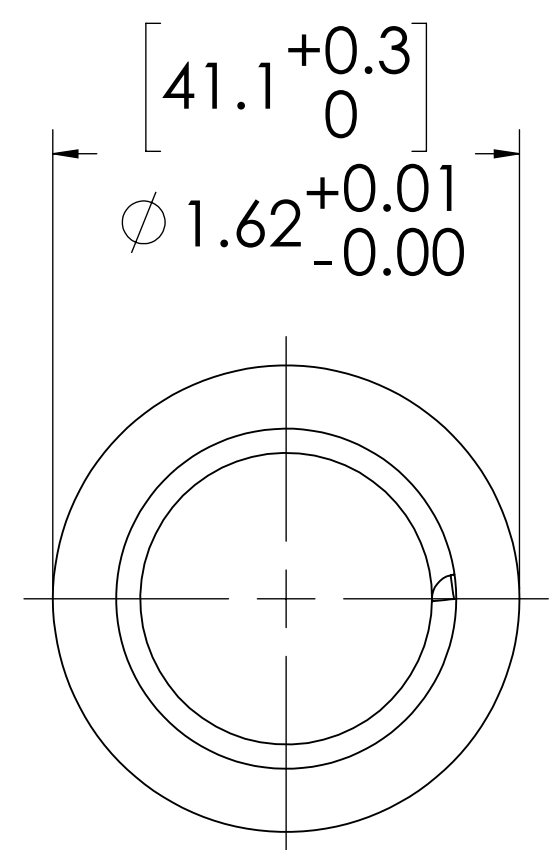
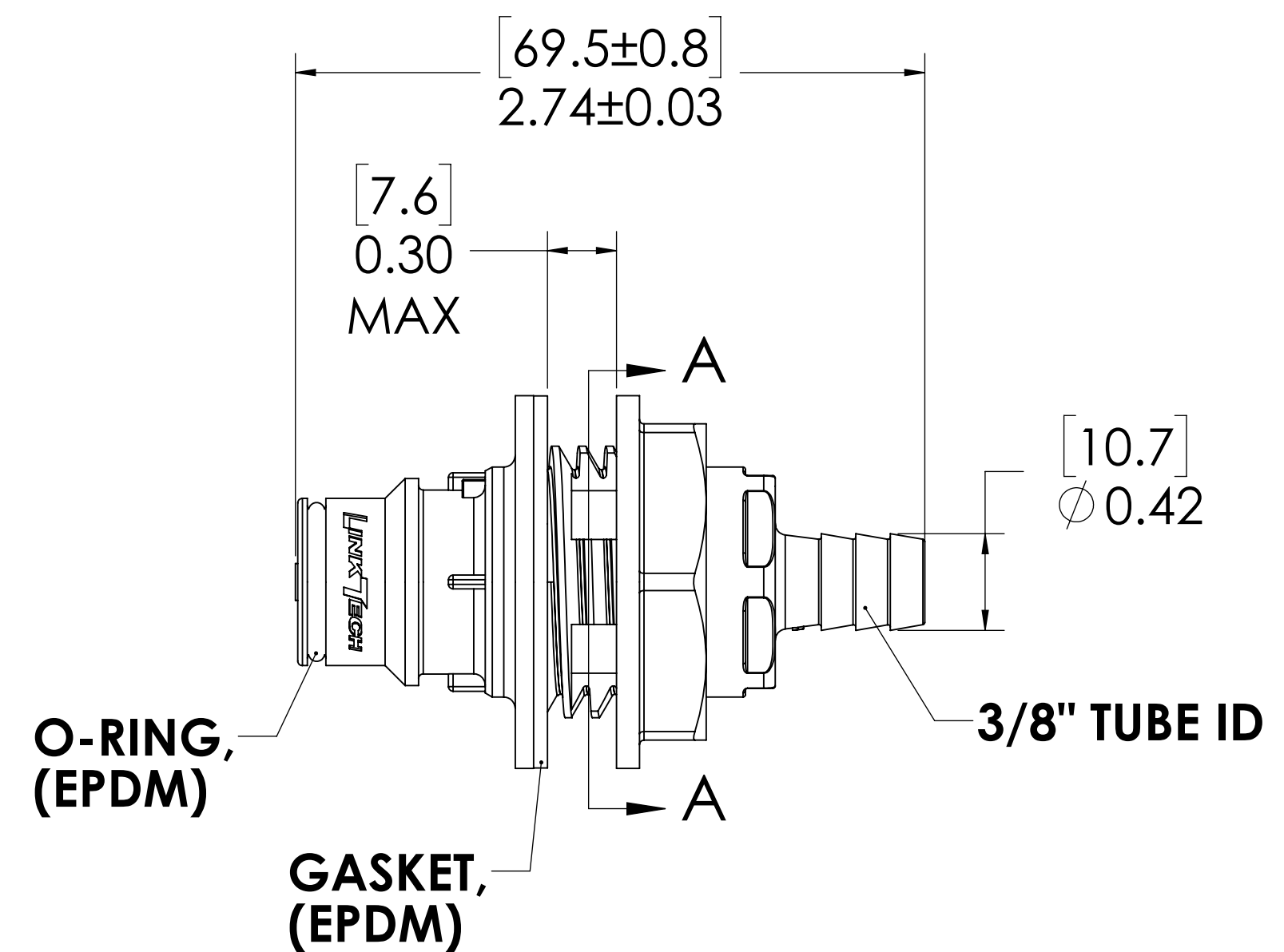
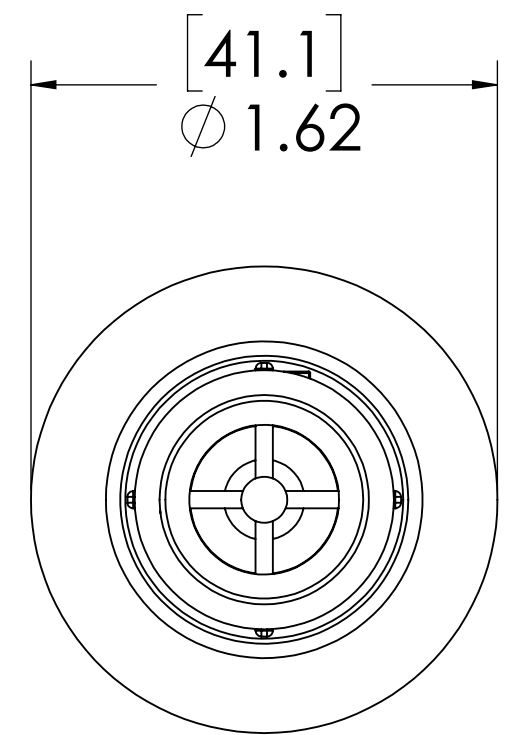


REVISIONS						
SHEET	ZONE	REV.	ECO	DESCRIPTION	DATE	APPROVED
1	ALL	NC	50093	INITIAL RELEASE	9/13/13	HRC
1	ALL	A	50257	O-RING AND DWG FORMAT UPDATE	10/10/2018	HRC

**PLUG
(POLYPROPYLENE)**



**PANEL NUT
(POLYPROPYLENE)**



- NOTES:**
1. MATERIAL: POLYPROPYLENE
 2. COLOR: GREY
 3. O-RING AND GASKET MATERIAL: EPDM
 4. O-RINGS LUBRICATED WITH FOOD GRADE SILICONE OIL, 350 CST.

FOR REFERENCE ONLY

<small>UNLESS OTHERWISE SPECIFIED: DIMENSIONS ARE IN INCHES TOLERANCES: FRACTIONAL ± 1/32 ANGULAR: MACH ± 0.5 BEND ± 2 ONE PLACE DECIMAL ± 0.1 TWO PLACE DECIMAL ± 0.01 THREE PLACE DECIMAL ± 0.005 TWO PLACE DUAL (mm) [± 0.12]</small>	DRAWN	HRC	9/13/13	
	CHECKED	HRC	9/13/13	
	ENG APPR.	HRC	10/10/18	
	MFG APPR.	BDB	10/10/18	
PRODUCTION	LS	10/10/18		PART NO: 60PP-PE3-06 DESCRIPTION: LinkTech 60PP Series Panel Mt. Male, Non-valved 3/8" HB, Polypropylene
<small>PROPRIETARY AND CONFIDENTIAL THE INFORMATION CONTAINED IN THIS DRAWING IS THE SOLE PROPERTY OF LINKTECH LLC. ANY REPRODUCTION OR DISCLOSURE IN PART OR AS A WHOLE WITHOUT THE WRITTEN PERMISSION OF LINKTECH LLC IS STRICTLY PROHIBITED.</small>	COMMENTS:		SIZE DWG. NO. REV C 60PP600045 A	SCALE: NTS WEIGHT: SHEET 1 OF 1