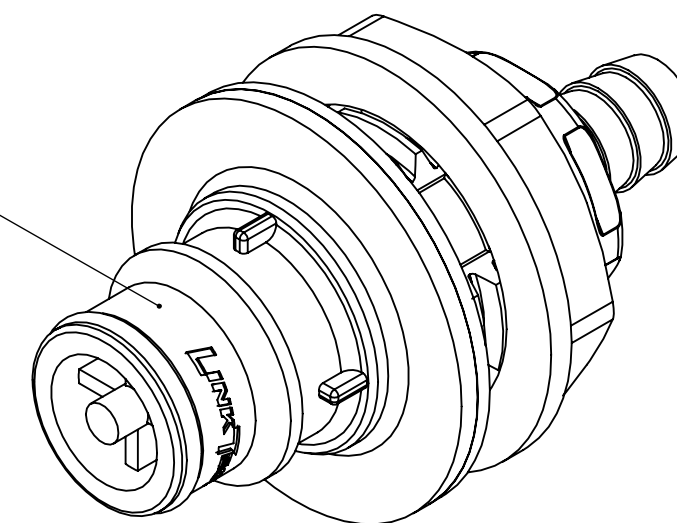
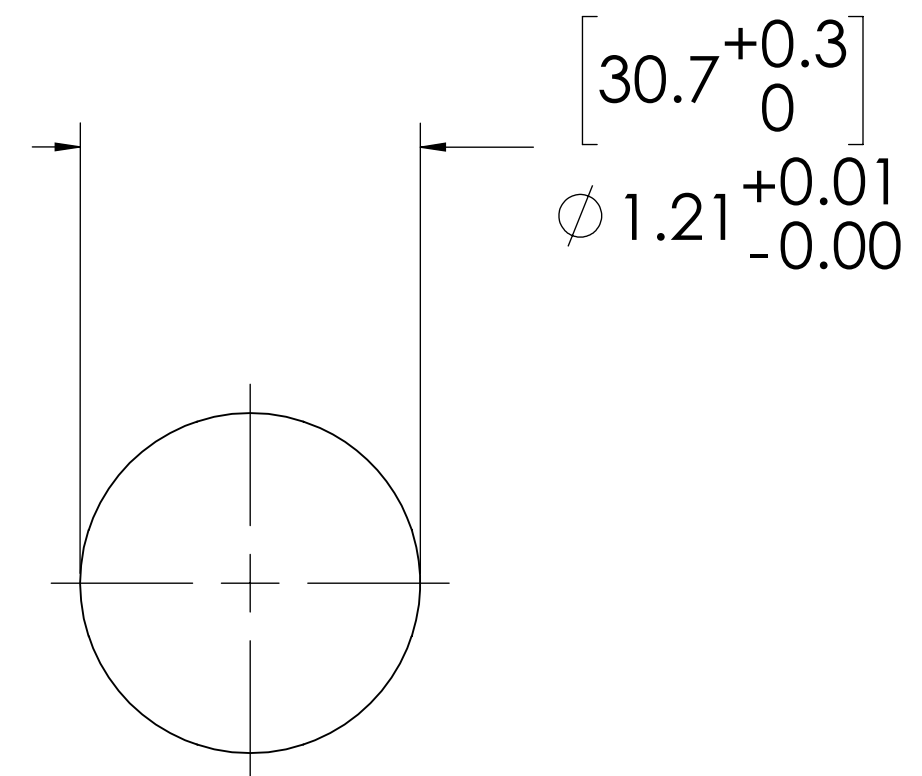
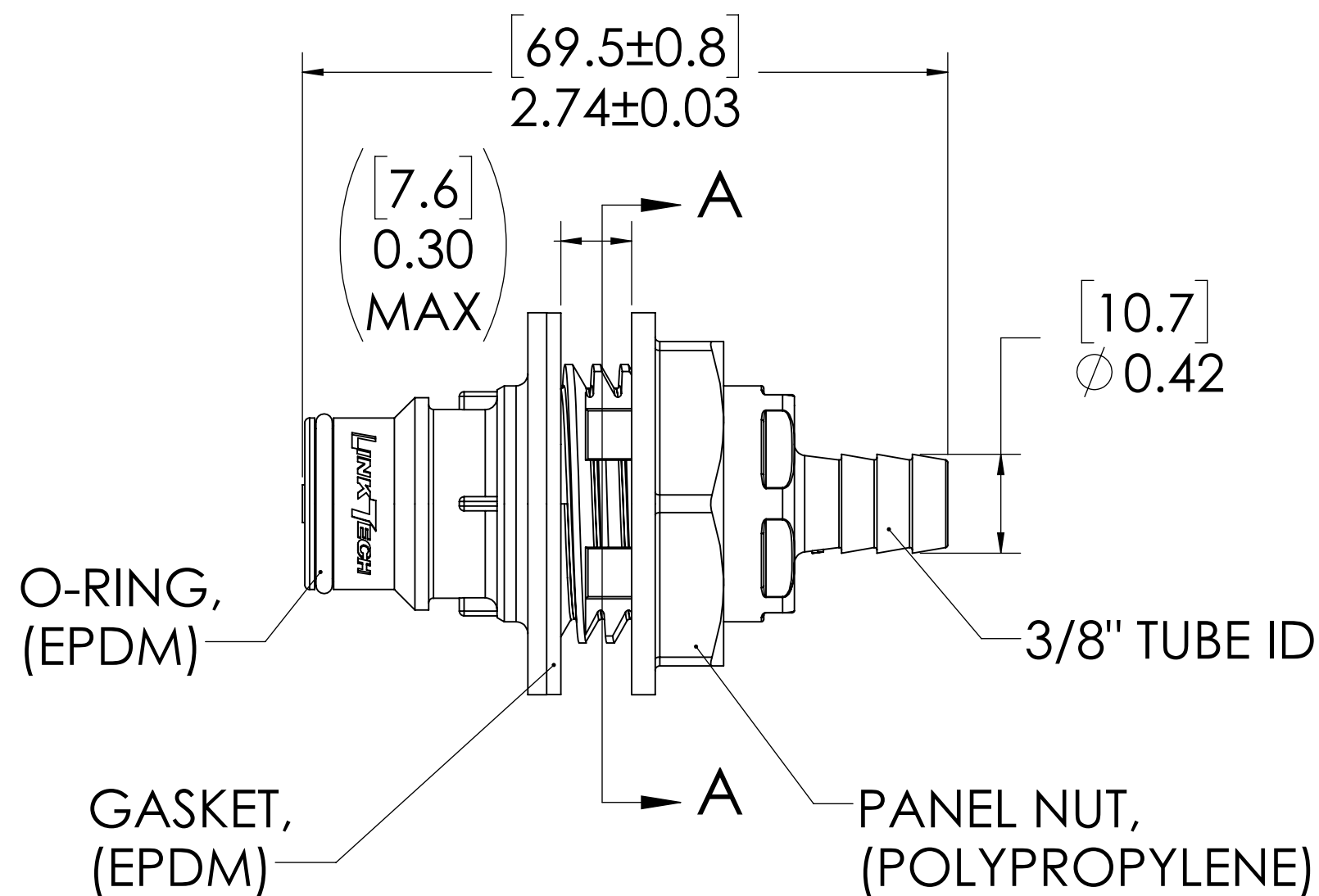
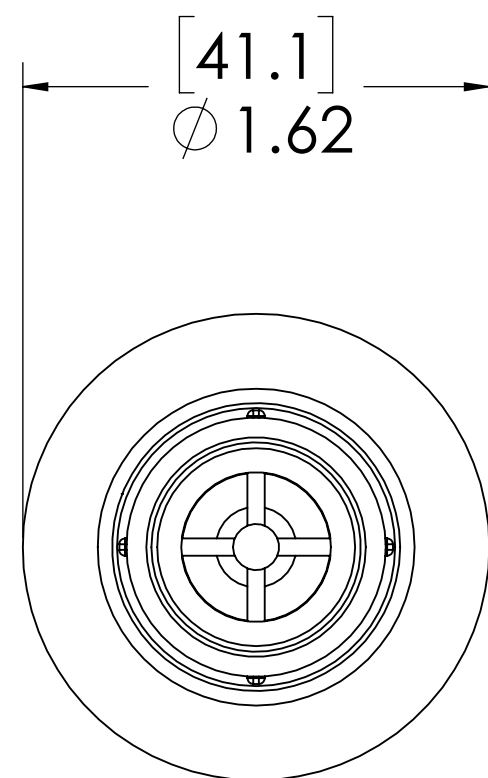


| REVISIONS | | | | | | |
|-----------|------|------|-------|-----------------|------------|----------|
| SHEET | ZONE | REV. | ECO | DESCRIPTION | DATE | APPROVED |
| 1 | ALL | A | 50257 | INITIAL RELEASE | 06/12/2018 | HRC |



PLUG,
(POLYPROPYLENE)



PANEL OPENING
(SECTION A-A)

NOTES:

- MATERIAL: POLYPROPYLENE
- COLOR: BLACK
- O-RING MATERIAL: EPDM
- O-RINGS LUBRICATED WITH FOOD GRADE SILICONE OIL, 350 CST.

FOR REFERENCE ONLY

| | | | | |
|--|------------|---------|---------|--|
| <small>UNLESS OTHERWISE SPECIFIED: DIMENSIONS ARE IN INCHES TOLERANCES: FRACTIONAL ± 1/32 ANGULAR: MACH ± 0.5 BEND ± 2 ONE PLACE DECIMAL ± 0.1 TWO PLACE DECIMAL ± 0.01 THREE PLACE DECIMAL ± 0.005 TWO PLACE DUAL (mm) [± 0.12]</small> | DRAWN | CGS | 1/5/18 | |
| | CHECKED | CKE | 6/12/18 | |
| | ENG APPR. | HRC | 6/12/18 | |
| | MFG APPR. | BDB | 6/12/18 | |
| PRODUCTION | LAS | 6/12/18 | | PART NO: 60PP-PE3-06BLK DESCRIPTION: LinkTech 60PP Series Panel Mt. Male, Non-valved 3/8" HB, Molded Black Color, Polypropylene |
| <small>PROPRIETARY AND CONFIDENTIAL THE INFORMATION CONTAINED IN THIS DRAWING IS THE SOLE PROPERTY OF LINKTECH LLC. ANY REPRODUCTION OR DISCLOSURE IN PART OR AS A WHOLE WITHOUT THE WRITTEN PERMISSION OF LINKTECH LLC IS STRICTLY PROHIBITED.</small> | COMMENTS: | | | SIZE DWG. NO. REV C 60PP600149 A |
| | SCALE: NTS | WEIGHT: | | SHEET 1 OF 1 |
| | | | | |