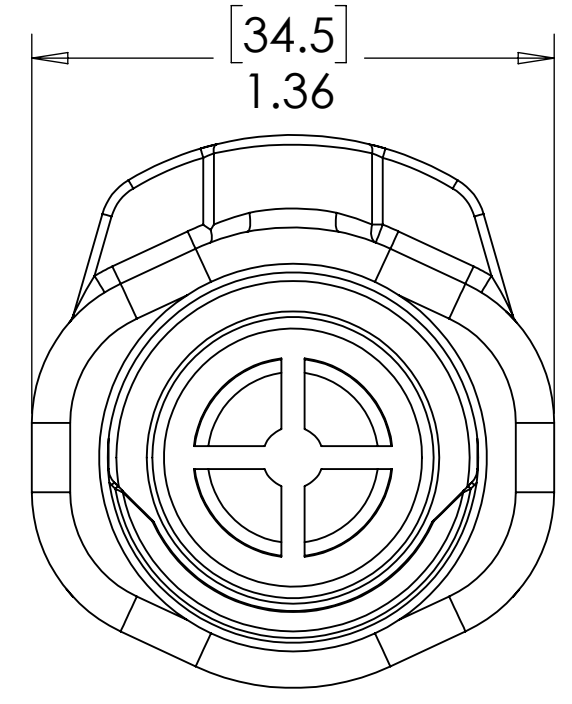
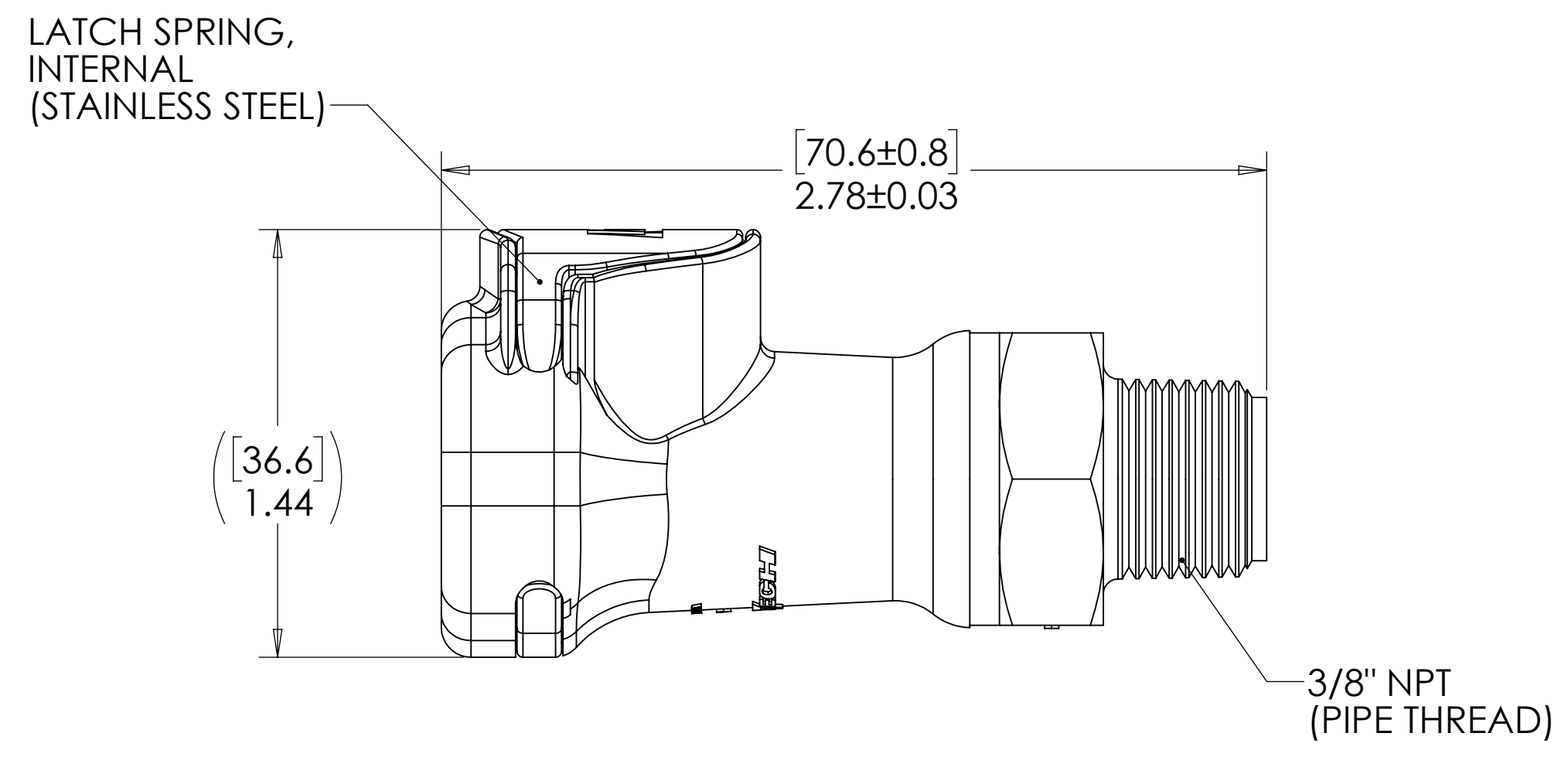
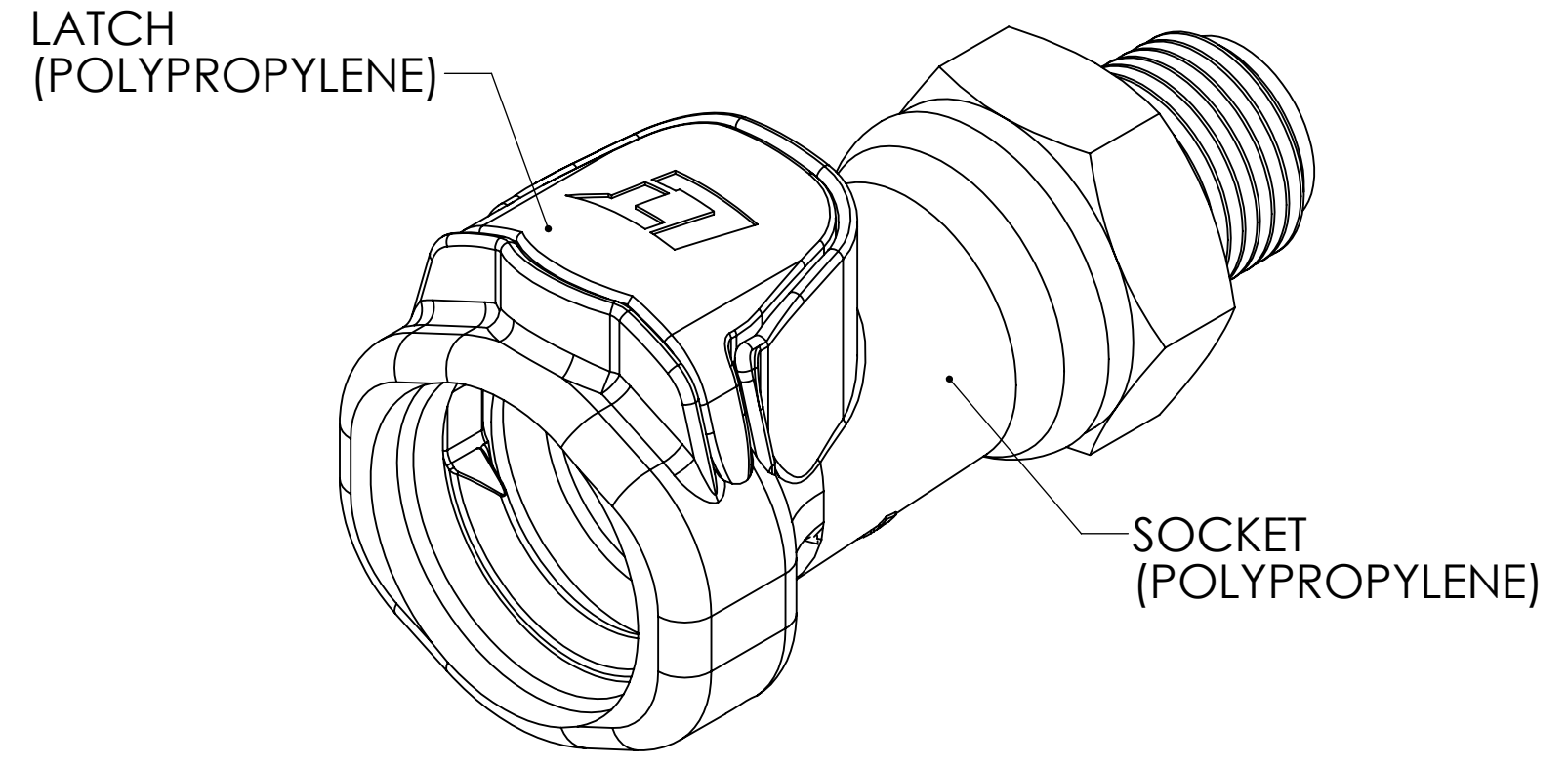



REVISIONS						
SHEET	ZONE	REV.	ECO	DESCRIPTION	DATE	APPROVED
1	D-5	A	.....	UPDATED LATCH SPRING	6/19/2014	HRC
1	ALL	A	50093	INITIAL RELEASE	9/10/2014	HRC
1	ALL	B	50253	UPDATED TO 2017 FORMAT	3/8/2018	HRC



- NOTES:**
- MATERIAL: POLYPROPYLENE
  - COLOR: GREY

**FOR REFERENCE ONLY**

<small>UNLESS OTHERWISE SPECIFIED:          DIMENSIONS ARE IN INCHES          TOLERANCES:          FRACTIONAL ± 1/32          ANGULAR: MACH ± 0.5 BEND ± 2          ONE PLACE DECIMAL ± 0.1          TWO PLACE DECIMAL ± 0.01          THREE PLACE DECIMAL ± 0.005          TWO PLACE DUAL (mm) [±0.12]</small>	DRAWN	HRC	08-20-13	 PART NO: 60PP-S1-06 DESCRIPTION: LinkTech 60PP Male Threaded Male, Non-valved, 375 mmpf, Polypropylene
	CHECKED	HRC	08-20-13	
	ENG APPR.	HRC	03/08/18	
	MFG APPR.	BDB	03/08/18	
<small>PROPRIETARY AND CONFIDENTIAL</small> <small>THE INFORMATION CONTAINED IN THIS DRAWING IS THE SOLE PROPERTY OF LINKTECH LLC. ANY REPRODUCTION OR DISCLOSURE IN PART OR AS A WHOLE WITHOUT THE WRITTEN PERMISSION OF LINKTECH LLC IS STRICTLY PROHIBITED.</small>	PURCHASING	RK	03/08/18	SIZE DWG. NO. REV <b>C</b> 60PP600050 <b>B</b>
COMMENTS:			SCALE: NTS WEIGHT: SHEET 1 OF 1	