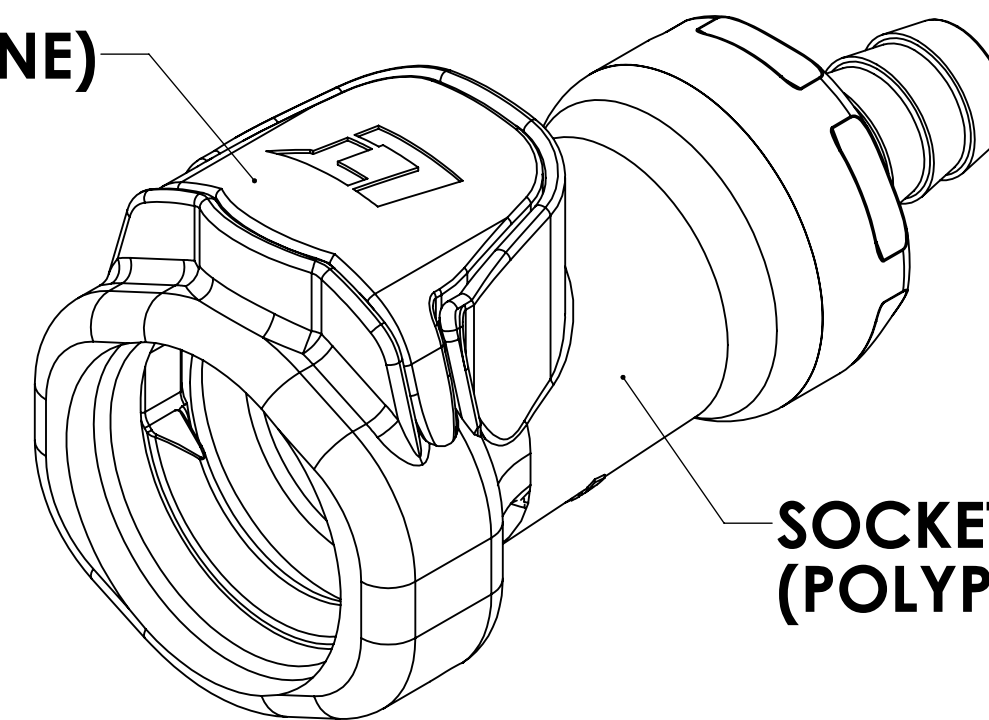


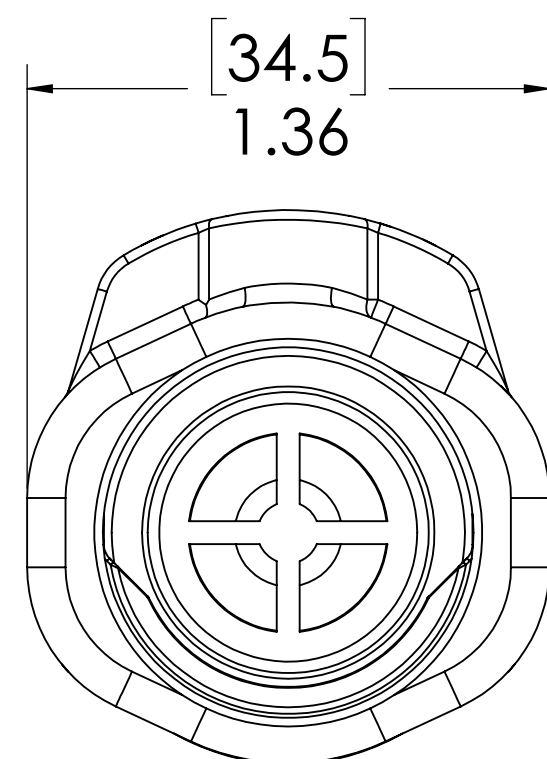
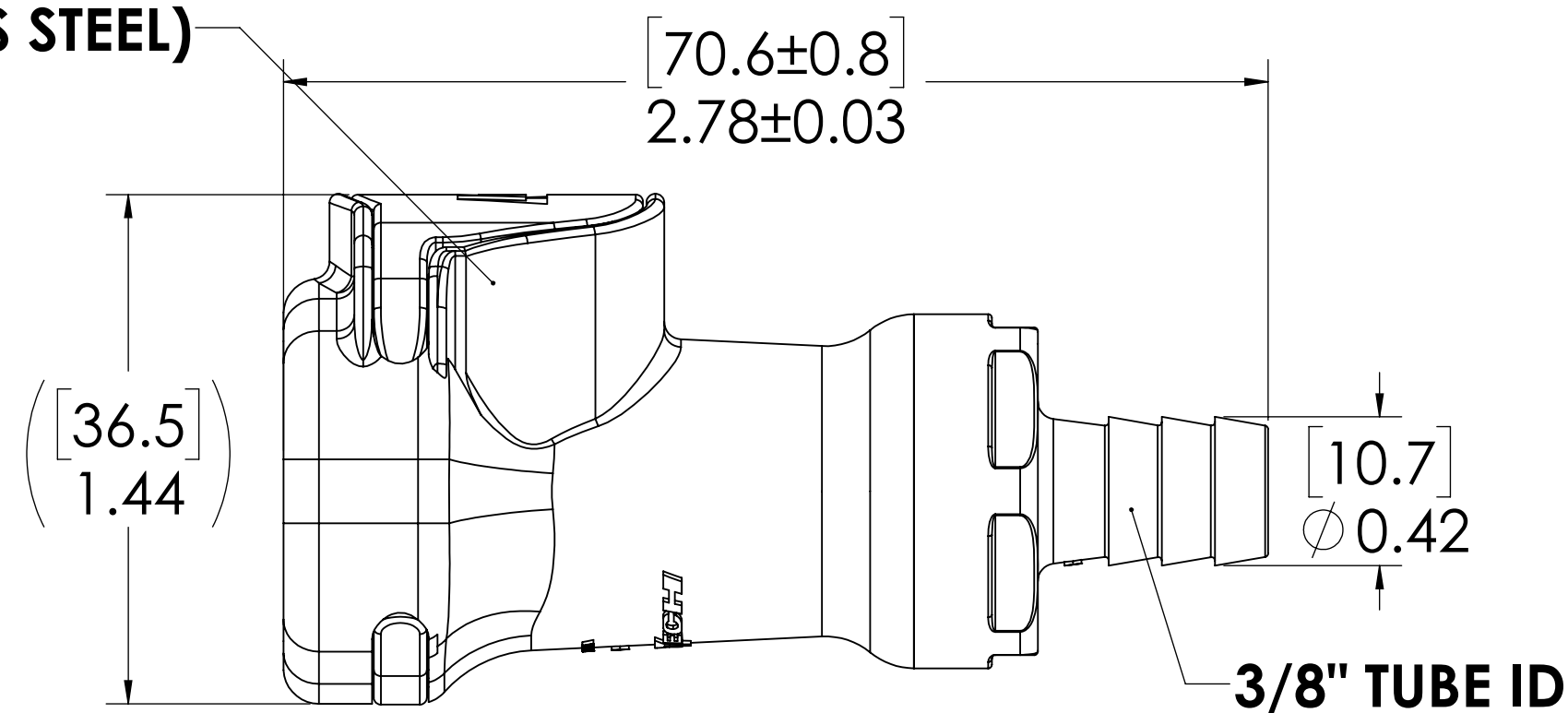
REVISIONS						
SHEET	ZONE	REV.	ECO	DESCRIPTION	DATE	APPROVED
1	D-5	A	UPDATED LATCH SPRING	6/19/2014	HRC
1	ALL	A	50093	INITIAL RELEASE	9/10/2014	HRC
1	ALL	B	50253	UPDATE DWG TO CURRENT FORMAT & STANDARDS	10/30/2018	HRC

**LATCH
(POLYPROPYLENE)**




**SOCKET
(POLYPROPYLENE)**

**LATCH SPRING
INTERNAL
(STAINLESS STEEL)**



- NOTES:**
- MATERIAL: POLYPROPYLENE
 - COLOR: GREY

FOR REFERENCE ONLY

<small>UNLESS OTHERWISE SPECIFIED: DIMENSIONS ARE IN INCHES TOLERANCES: FRACTIONAL ± 1/32 ANGULAR: MACH ± 0.5 BEND ± 2 ONE PLACE DECIMAL ± 0.1 TWO PLACE DECIMAL ± 0.01 THREE PLACE DECIMAL ± 0.005 TWO PLACE DUAL (mm) [±0.12]</small>	<small>DRAWN</small> LMP 6/19/2018	 LINKTECH <small>DRINKING WATER TECHNOLOGIES, LLC</small>	
	<small>CHECKED</small> HRC 6/19/2018		PART NO: 60PP-S2-06
	<small>ENG APPR.</small> HRC 10/30/18		<small>DESCRIPTION:</small> LinkTech 60PP Series, Inline Socket, Non-Valved, 3/8" HB, Polypropylene
	<small>MFG APPR.</small> BDB 10/30/18		<small>SIZE</small> C <small>DWG. NO.</small> 60PP600053 <small>REV</small> B
<small>PRODUCTION</small> LS 10/30/18	<small>COMMENTS:</small>	<small>SCALE: NTS</small> <small>WEIGHT:</small> <small>SHEET 1 OF 1</small>	
<small>PROPRIETARY AND CONFIDENTIAL</small> THE INFORMATION CONTAINED IN THIS DRAWING IS THE SOLE PROPERTY OF LINKTECH LLC. ANY REPRODUCTION OR DISCLOSURE IN PART OR AS A WHOLE WITHOUT THE WRITTEN PERMISSION OF LINKTECH LLC IS STRICTLY PROHIBITED.			