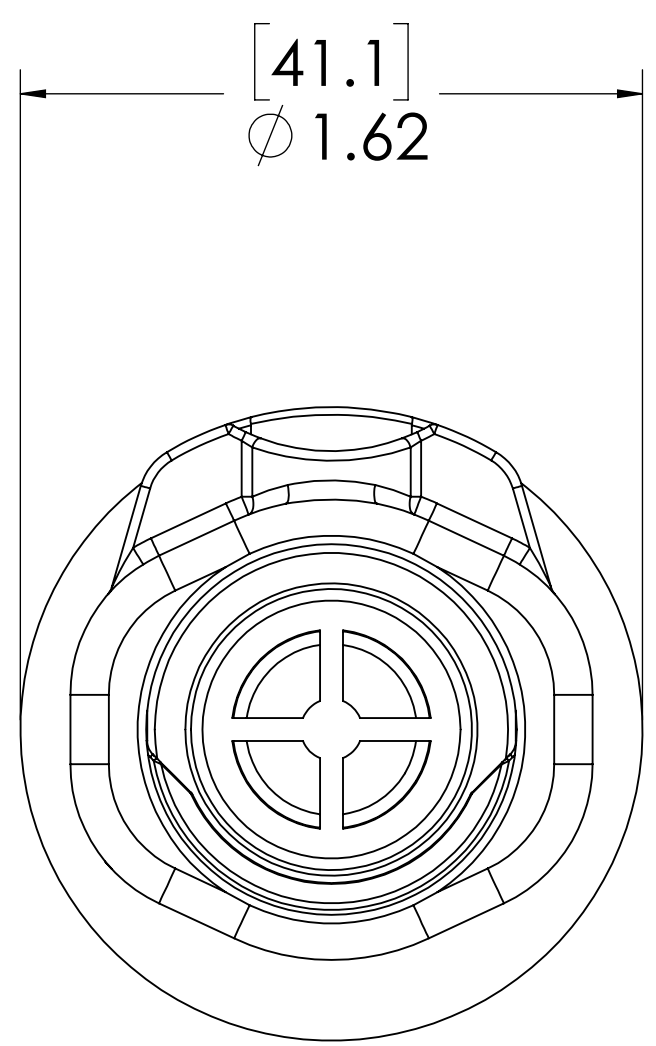
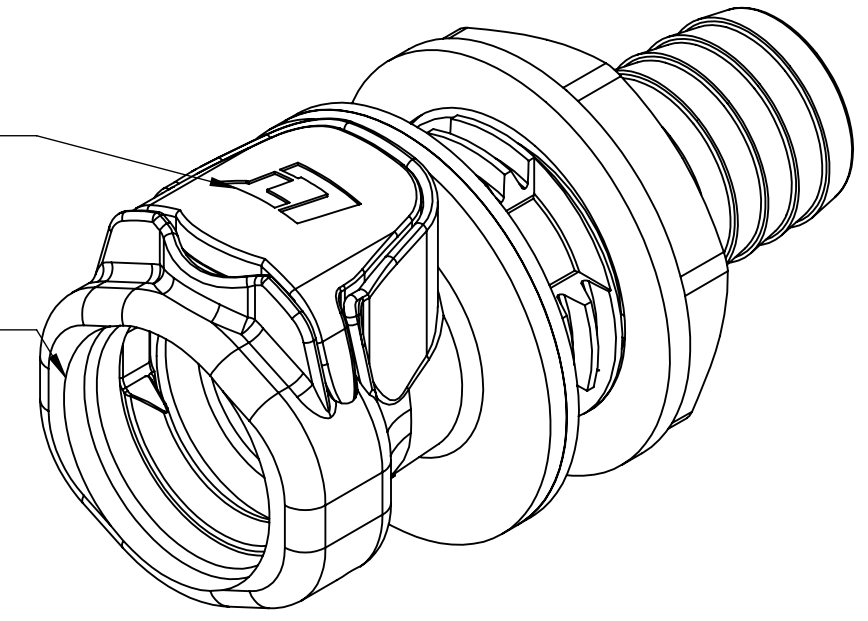


| REVISIONS | | | | | | |
|-----------|------|------|-------|--------------------------|-----------|----------|
| SHEET | ZONE | REV. | ECO | DESCRIPTION | DATE | APPROVED |
| 1 | D-6 | A | | UPDATED SPRING LATCH | 6/19/2014 | HRC |
| 1 | D-3 | A | | ADDED GASKET TO ASSEMBLY | 6/19/2014 | HRC |
| 1 | ALL | A | 50093 | INITIAL RELEASE | 9/10/2014 | HRC |
| ALL | ALL | B | 50253 | DWG FORMAT UPDATE | 3/29/2019 | HRC |

**LATCH
(POLYPROPYLENE)**

**SOCKET
(POLYPROPYLENE)**



**LATCH SPRING,
INTERNAL
(STAINLESS STEEL)**

**INTERNAL O-RING
(EPDM)**

**VALVE SPRING
INTERNAL
(STAINLESS STEEL)**

76.3 ± 0.8
 3.01 ± 0.03

11.3
 0.45
MAX

A

A

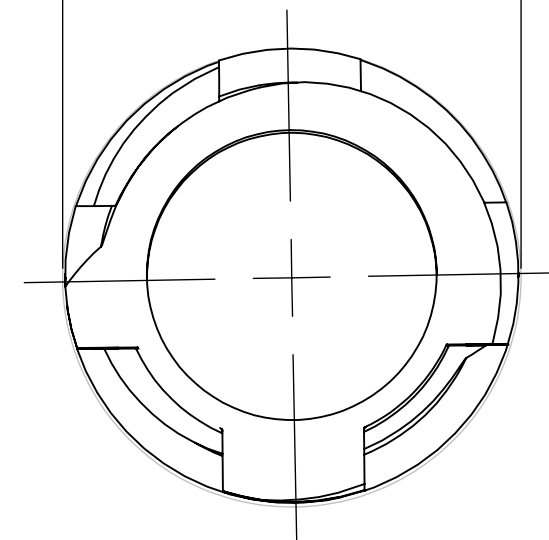
**GASKET
(EPDM)**

**PANEL NUT
(POLYPROPYLENE)**

3/4" TUBE ID

20.3
 $\phi 0.80$

$30.3^{+0.3}$
 $\phi 1.19^{+0.01}_{-0.00}$



**(SECTION A-A)
PANEL OPENING**

FOR REFERENCE ONLY

- NOTES:**
- MATERIAL: POLYPROPYLENE
 - COLOR: LIGHT GREY

| | | | | |
|---|-----------|---------|---------|---|
| <small>UNLESS OTHERWISE SPECIFIED: DIMENSIONS ARE IN INCHES TOLERANCES: FRACTIONAL $\pm 1/32$ ANGULAR: MACH ± 0.5 BEND ± 2 ONE PLACE DECIMAL ± 0.1 TWO PLACE DECIMAL ± 0.01 THREE PLACE DECIMAL ± 0.005 TWO PLACE DUAL (mm) $[\pm 0.12]$</small> | DRAWN | HRC | 9/13/13 | |
| | CHECKED | HRC | 9/13/13 | |
| | ENG APPR. | HRC | 3/29/19 | |
| | MFG APPR. | BDB | 3/29/19 | |
| PRODUCTION | LS | 3/29/19 | | PART NO: 60PP-S3-12 DESCRIPTION: LinkTech 60PP Series Panel Mt. Female, Non-valved, 3/4" HB, Polypropylene |
| <small>PROPRIETARY AND CONFIDENTIAL THE INFORMATION CONTAINED IN THIS DRAWING IS THE SOLE PROPERTY OF LINKTECH LLC. ANY REPRODUCTION OR DISCLOSURE IN PART OR AS A WHOLE WITHOUT THE WRITTEN PERMISSION OF LINKTECH LLC IS STRICTLY PROHIBITED.</small> | COMMENTS: | | | SIZE DWG. NO. REV C 60PP600058 B |
| | | | | SCALE: NTS WEIGHT: SHEET 1 OF 1 |