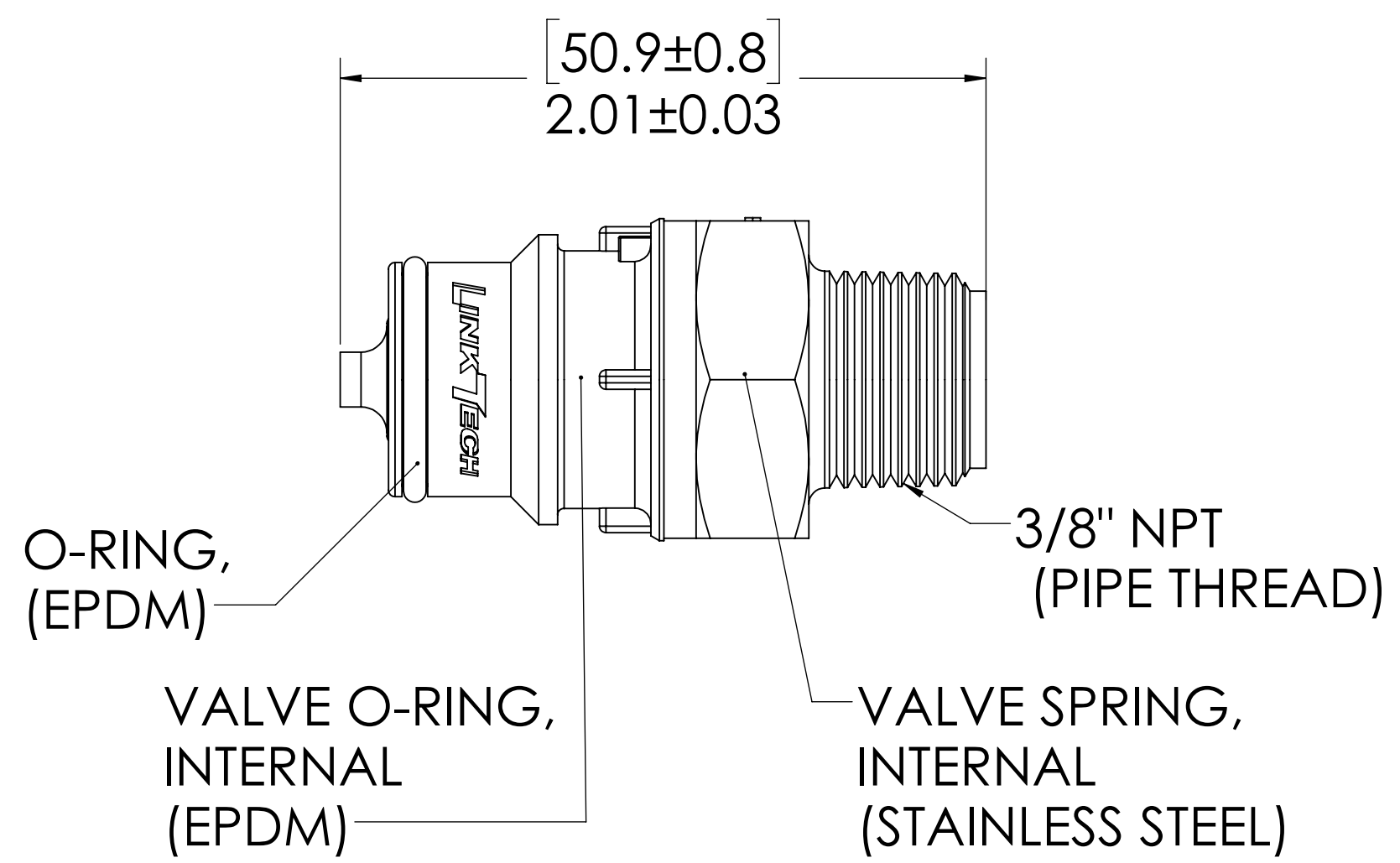
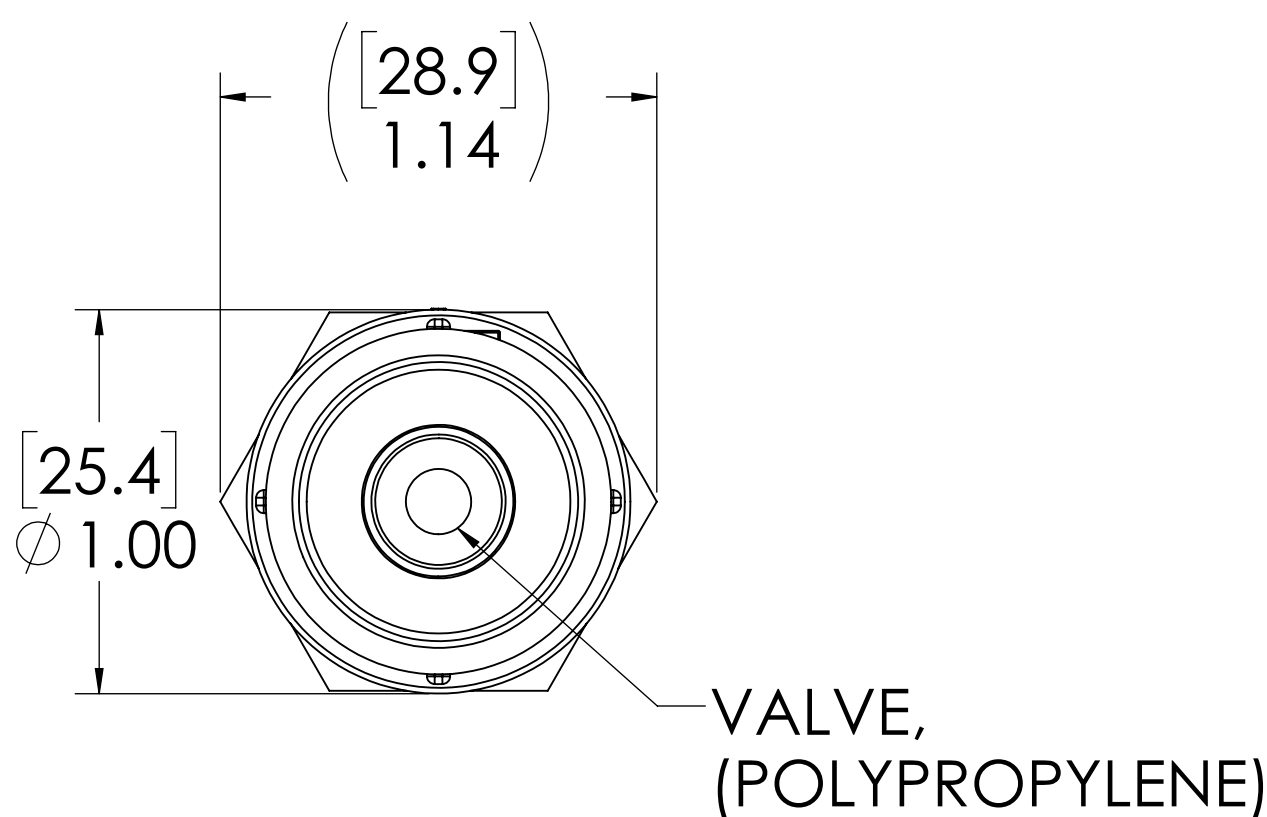
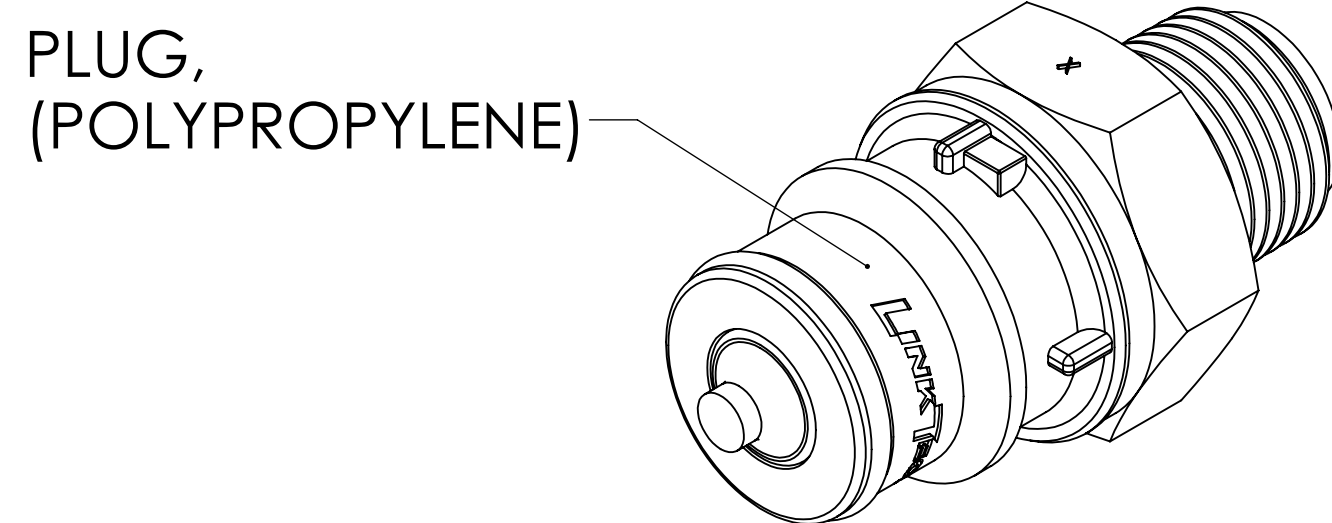



REVISIONS						
SHEET	ZONE	REV.	ECO	DESCRIPTION	DATE	APPROVED
1	ALL	A	.....	ADDED O-RING LUBRICATION NOTE	6/19/2014	HRC
1	ALL	A	50093	INITIAL RELEASE	9/10/2014	HRC
1	ALL	B	50257	O-RING AND DWG FORMAT UPDATE	06/12/2018	HRC



- NOTES:**
- MATERIAL: POLYPROPYLENE
  - COLOR: GREY
  - O-RING MATERIAL: EPDM
  - O-RINGS LUBRICATED WITH FOOD GRADE SILICONE OIL, 350 CST.

**FOR REFERENCE ONLY**

<small>UNLESS OTHERWISE SPECIFIED:          DIMENSIONS ARE IN INCHES          TOLERANCES:          FRACTIONAL ± 1/32          ANGULAR: MACH ± 0.5 BEND ± 2          ONE PLACE DECIMAL ± 0.1          TWO PLACE DECIMAL ± 0.01          THREE PLACE DECIMAL ± 0.005          TWO PLACE DUAL (mm) [± 0.12]</small>	DRAWN	HRC	8/26/13	 <b>PART NO: 60PPV-PE1-06</b> <b>DESCRIPTION:</b> <b>LinkTech 60PP Series Male Thread Male, Valved 3/8" MNPT, Polypropylene</b>						
	CHECKED	CKE	6/12/18							
	ENG APPR.	HRC	6/12/18							
	MFG APPR.	BDB	6/12/18							
PRODUCTION	LAS	6/12/18		<small>PROPRIETARY AND CONFIDENTIAL</small> <small>THE INFORMATION CONTAINED IN THIS DRAWING IS THE SOLE PROPERTY OF LINKTECH LLC. ANY REPRODUCTION OR DISCLOSURE IN PART OR AS A WHOLE WITHOUT THE WRITTEN PERMISSION OF LINKTECH LLC IS STRICTLY PROHIBITED.</small>						
COMMENTS:				<table border="1"> <tr> <td>SIZE</td> <td>DWG. NO.</td> <td>REV</td> </tr> <tr> <td><b>C</b></td> <td><b>60PP600061</b></td> <td><b>B</b></td> </tr> </table>	SIZE	DWG. NO.	REV	<b>C</b>	<b>60PP600061</b>	<b>B</b>
SIZE	DWG. NO.	REV								
<b>C</b>	<b>60PP600061</b>	<b>B</b>								
SCALE: NTS			WEIGHT:	SHEET 1 OF 1						