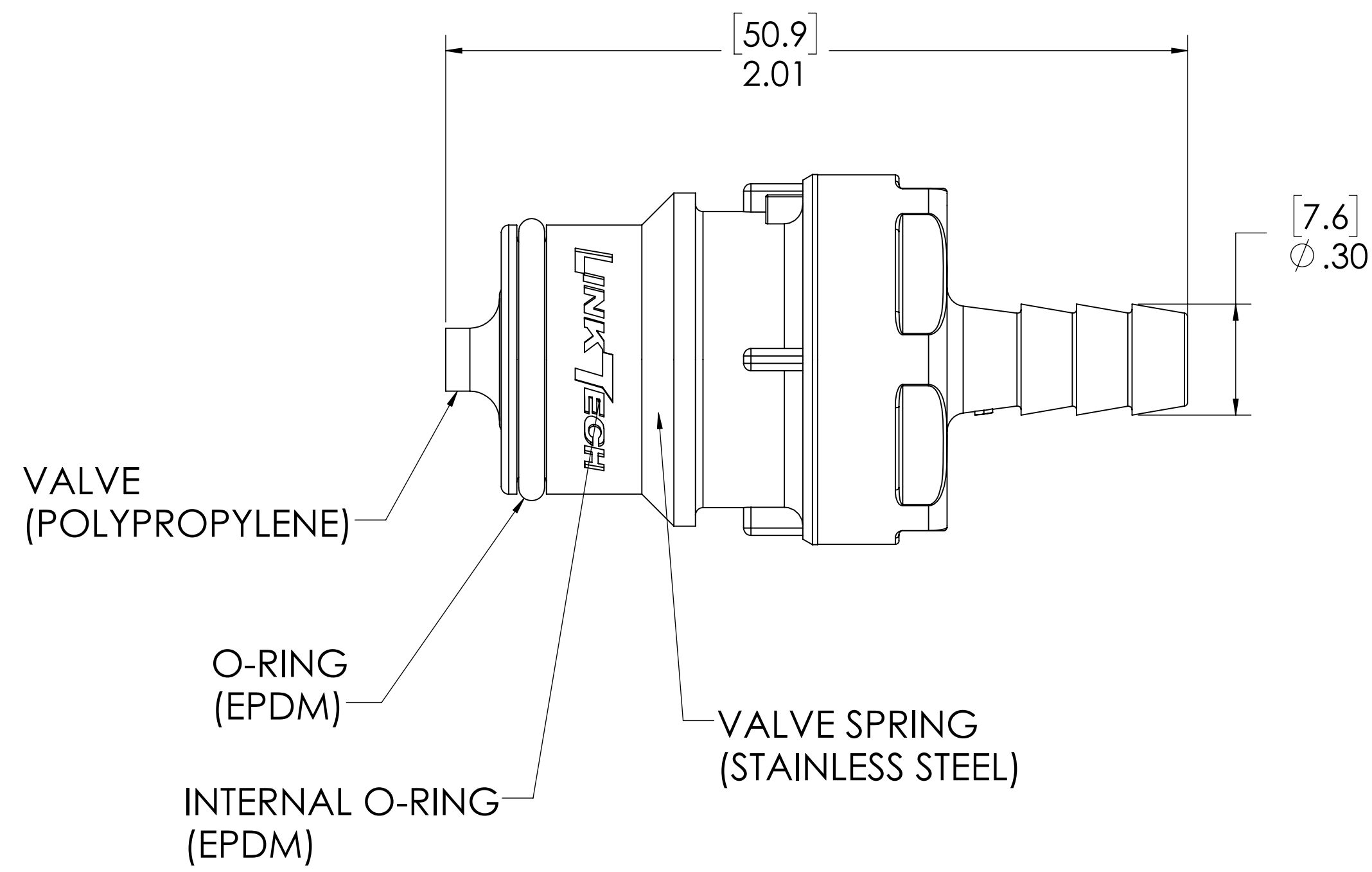
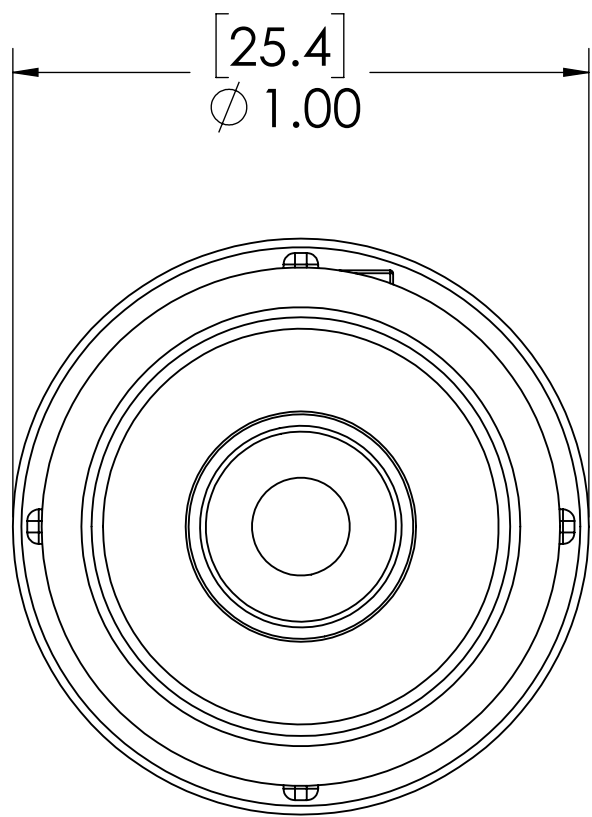
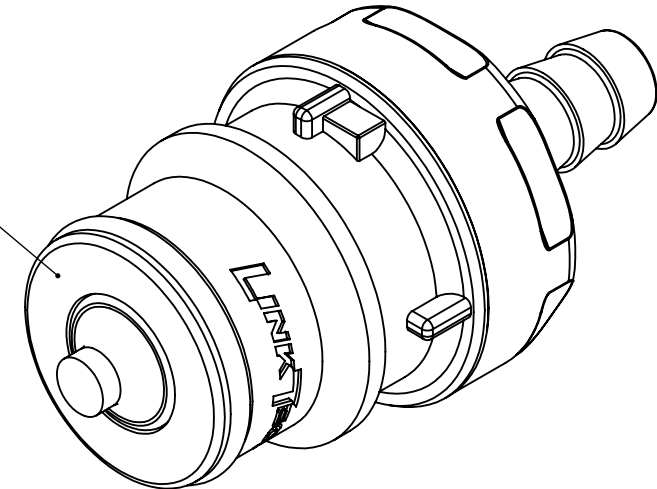


REVISIONS						
SHEET	ZONE	REV.	ECO	DESCRIPTION	DATE	APPROVED
1-D3	1-D3	A	50257	CHANGED O-RING SIZE; UPDATED FORMAT & NOTES	11/20/2017	HRC

PLUG,
(POLYPROPYLENE)



- NOTES:**
- MATERIAL: POLYPROPYLENE
 - COLOR: BLACK
 - O-RING MATERIAL: EPDM
 - O-RINGS LUBRICATED WITH FOOD GRADE SILICONE OIL, 350 CST

FOR REFERENCE ONLY

<small>UNLESS OTHERWISE SPECIFIED: DIMENSIONS ARE IN INCHES TOLERANCES: FRACTIONAL ± 1/32 ANGULAR: MACH ± 0.5 BEND ± 2 ONE PLACE DECIMAL ± 0.1 TWO PLACE DECIMAL ± 0.01 THREE PLACE DECIMAL ± 0.005 TWO PLACE DUAL (mm) [± 0.12]</small>	DRAWN	C. DAVIS	09-29-15	
	CHECKED	HRC	09-29-15	
	ENG APPR.	HRC	11-20-17	
	MFG APPR.	BDB	11-20-17	
<small>PROPRIETARY AND CONFIDENTIAL</small>	Q.A.	JJB	11-20-17	PART NO: 60PPV-PE2-04BLK DESCRIPTION: Linktech 60PP Series Straight Male, Valved, 1/4" HB, Molded Black Color, Polypropylene
<small>THE INFORMATION CONTAINED IN THIS DRAWING IS THE SOLE PROPERTY OF LINKTECH LLC. ANY REPRODUCTION OR DISCLOSURE IN PART OR AS A WHOLE WITHOUT THE WRITTEN PERMISSION OF LINKTECH LLC IS STRICTLY PROHIBITED.</small>			<small>COMMENTS:</small>	
SIZE C	DWG. NO. 60PP600115	REV A		
<small>SCALE: NTS</small>		<small>WEIGHT:</small>		<small>SHEET 1 OF 1</small>