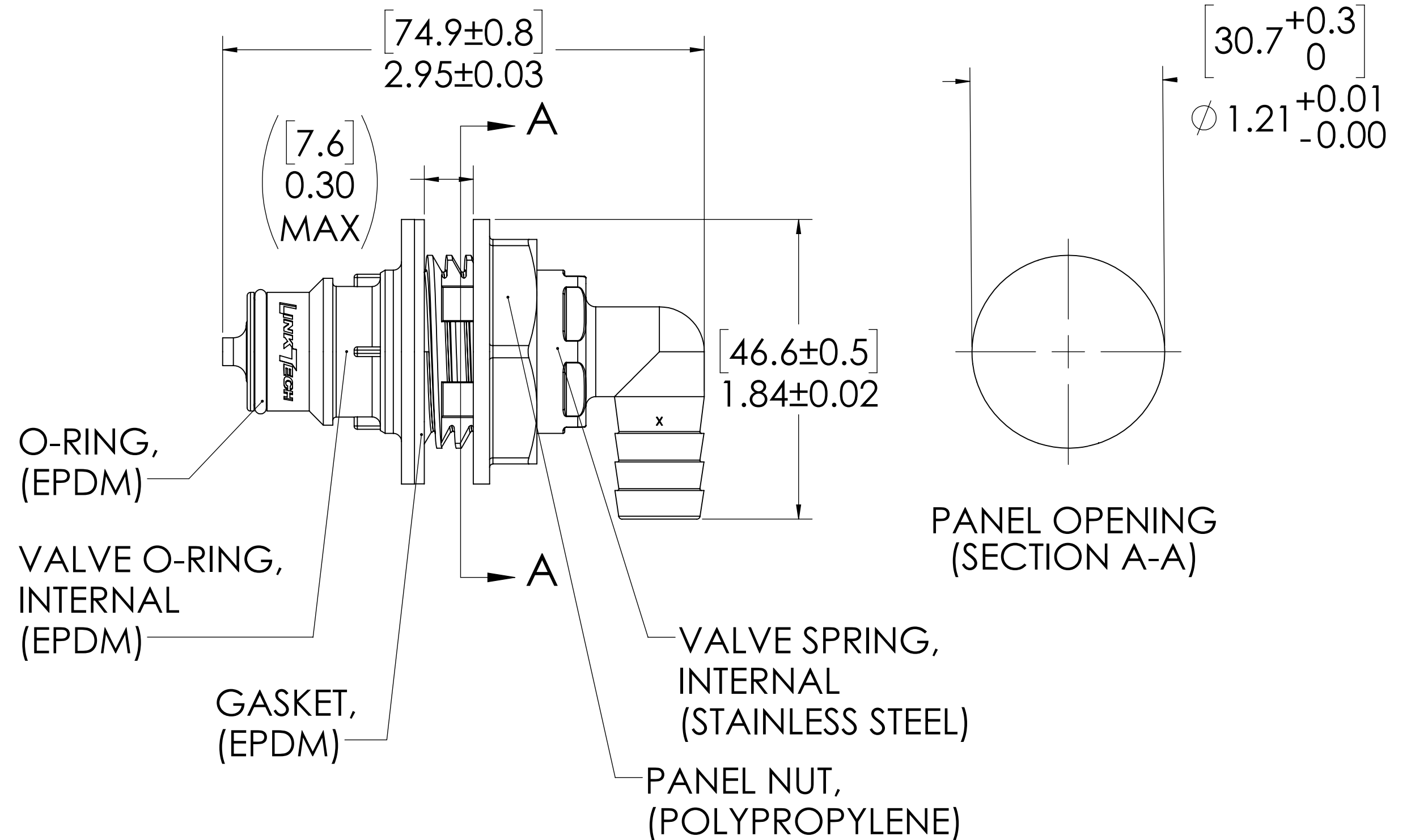
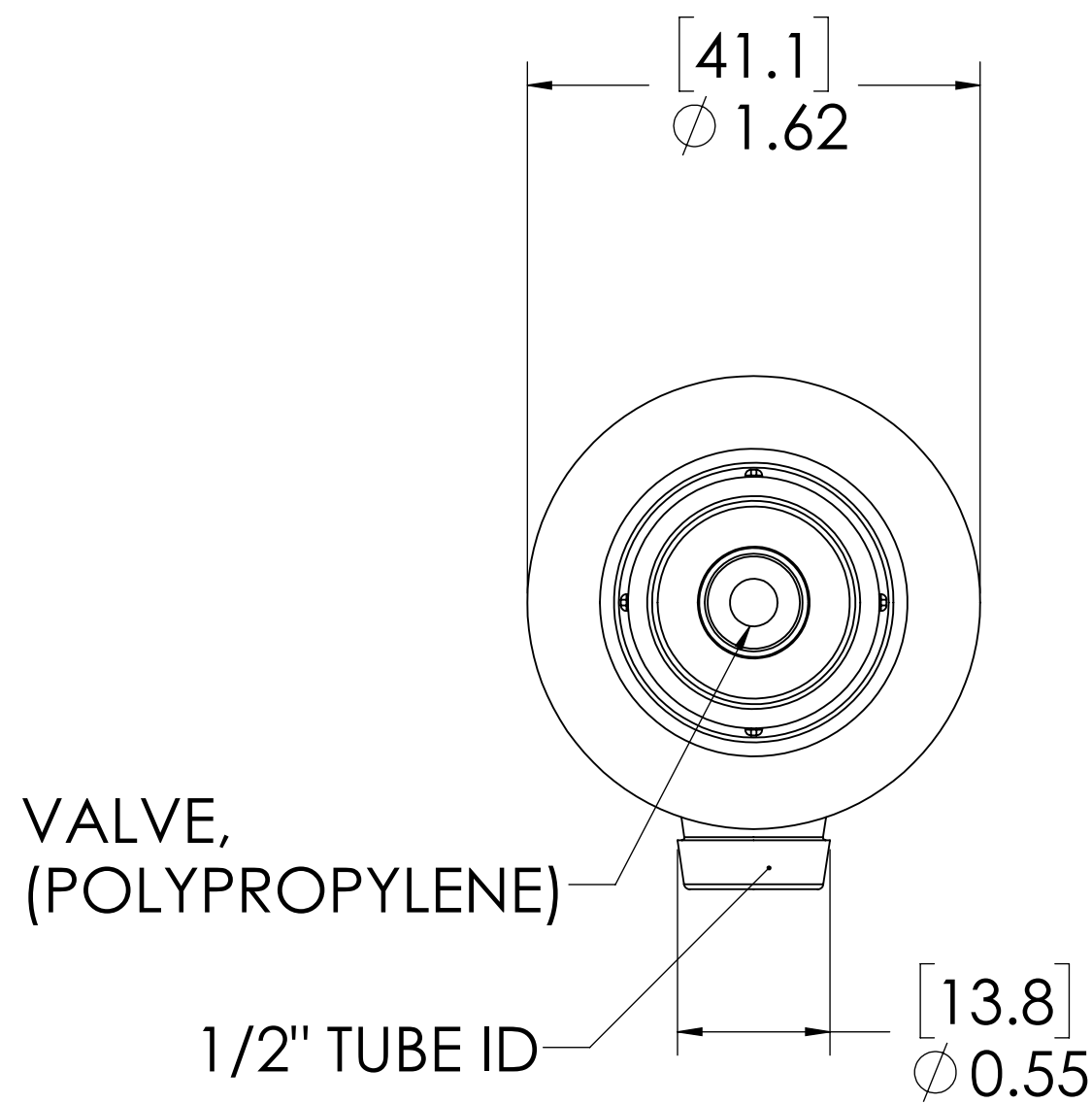
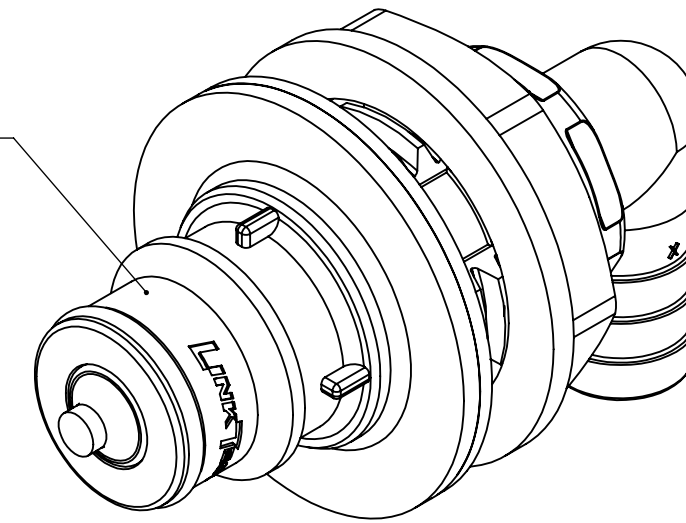


REVISIONS						
SHEET	ZONE	REV.	ECO	DESCRIPTION	DATE	APPROVED
1	ALL	A	50257	INITIAL RELEASE	6/26/2018	HRC

PLUG,
(POLYPROPYLENE)



NOTES:

- MATERIAL: POLYPROPYLENE
- COLOR: BLACK
- O-RING MATERIAL: EPDM
- O-RINGS LUBRICATED WITH FOOD GRADE SILICONE OIL, 350 CST.

FOR REFERENCE ONLY

UNLESS OTHERWISE SPECIFIED:		NAME	DATE	
DIMENSIONS ARE IN INCHES TOLERANCES: FRACTIONAL ± 1/32 ANGULAR: MACH ± 0.5 BEND ± 2 ONE PLACE DECIMAL ± 0.1 TWO PLACE DECIMAL ± 0.01 THREE PLACE DECIMAL ± 0.005 TWO PLACE DUAL (mm) [± 0.12]		DRAWN	C.DAVIS	
PROPRIETARY AND CONFIDENTIAL THE INFORMATION CONTAINED IN THIS DRAWING IS THE SOLE PROPERTY OF LINKTECH LLC. ANY REPRODUCTION OR DISCLOSURE IN PART OR AS A WHOLE WITHOUT THE WRITTEN PERMISSION OF LINKTECH LLC IS STRICTLY PROHIBITED.		CHECKED	CKE	6/26/18
		ENG APPR.	HRC	6/26/18
		MFG APPR.	BDB	6/26/18
		PRODUCTION	LAS	6/26/18
		COMMENTS:		
		PART NO: 60PPV-PE22-08BLK		DESCRIPTION: LinkTech 60PP Series Panel Mt. Male, Valved 1/2" HB Elbow, Molded Black Color, Polypropylene
SIZE	DWG. NO.	REV		
C	60PP600113	A		
SCALE: NTS	WEIGHT:	SHEET 1 OF 1		