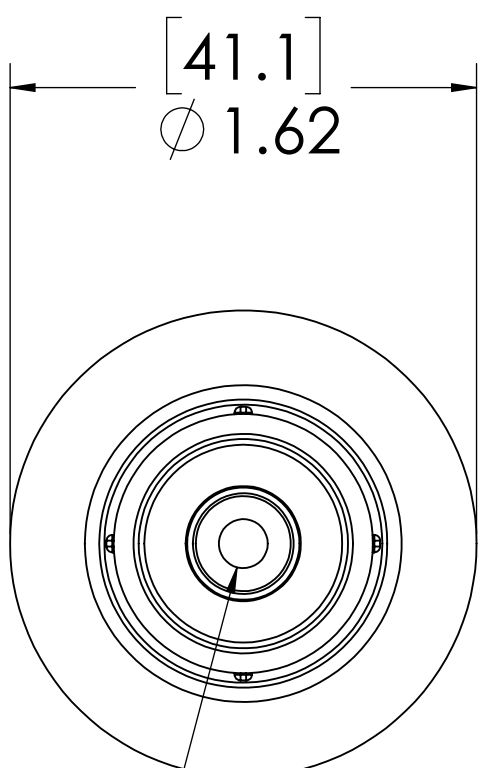
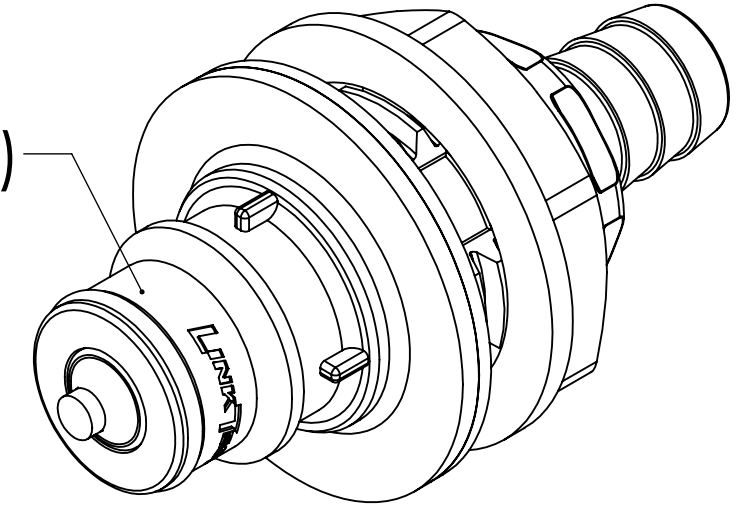
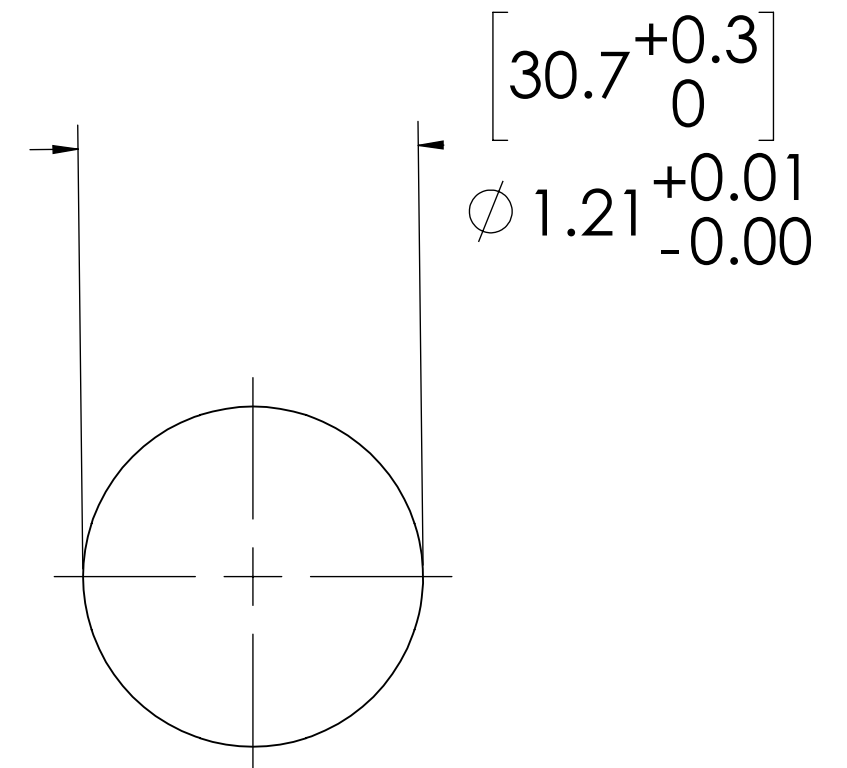
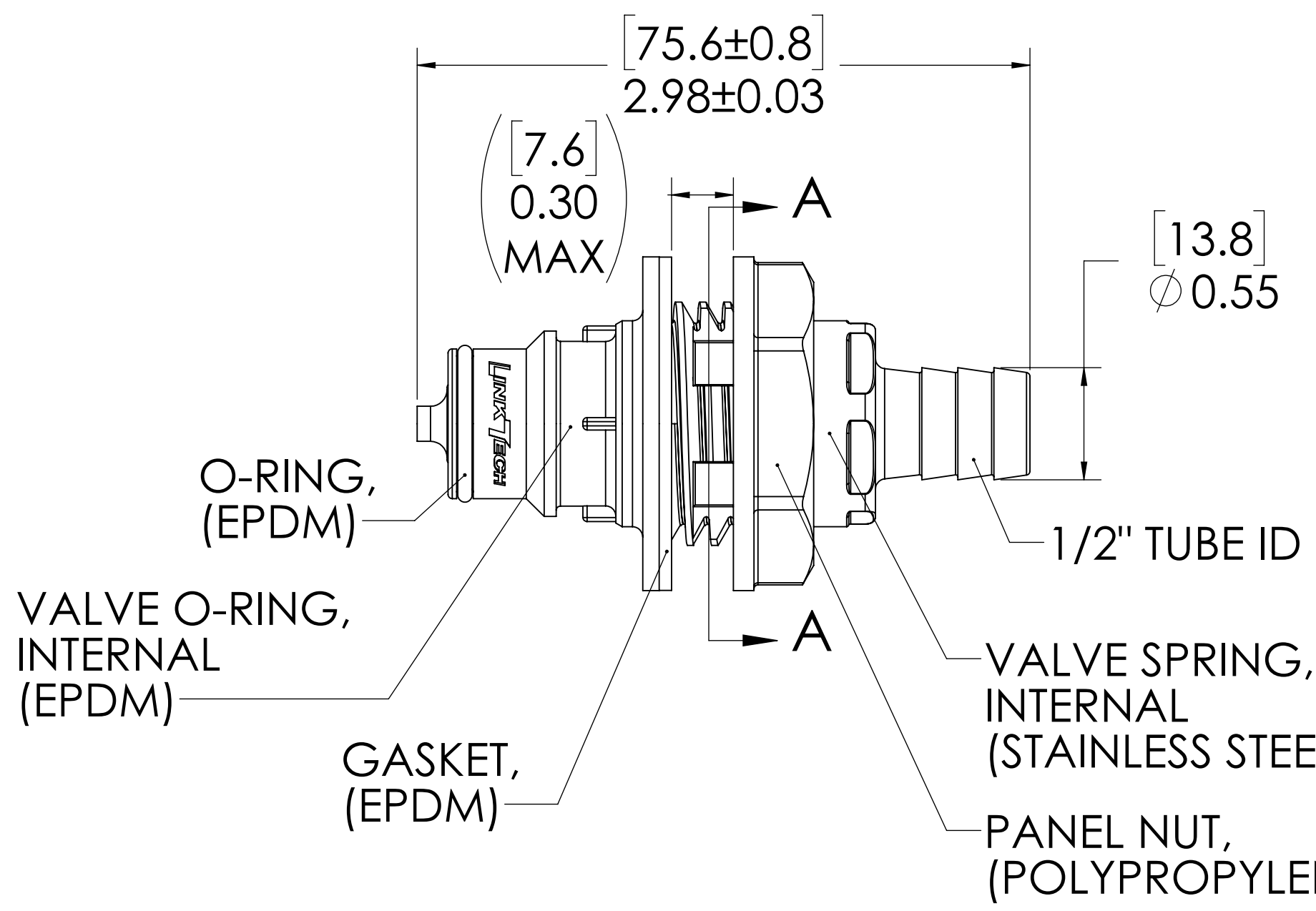


REVISIONS						
SHEET	ZONE	REV.	ECO	DESCRIPTION	DATE	APPROVED
1	ALL	A	50257	INITIAL RELEASE	6/28/2018	HRC

PLUG,  
(POLYPROPYLENE)



VALVE,  
(POLYPROPYLENE)



PANEL OPENING  
(SECTION A-A)

- NOTES:**
1. MATERIAL: POLYPROPYLENE
  2. COLOR: BLACK
  3. O-RING MATERIAL: EPDM
  4. O-RINGS LUBRICATED WITH FOOD GRADE SILICONE OIL, 350 CST.

**FOR REFERENCE ONLY**

<small>UNLESS OTHERWISE SPECIFIED: DIMENSIONS ARE IN INCHES TOLERANCES: FRACTIONAL ± 1/32 ANGULAR, MACH ± 0.5 BEND ± 2 ONE PLACE DECIMAL ± 0.1 TWO PLACE DECIMAL ± 0.01 THREE PLACE DECIMAL ± 0.005 TWO PLACE DUAL (mm) [± 0.12]</small>	DRAWN	C.DAVIS	7/6/15	
	CHECKED	HRC	7/6/15	
	ENG APPR.	HRC	6/28/18	
	MFG APPR.	BDB	6/28/18	
PRODUCTION	LS	6/28/18		<b>PART NO:</b> 60PPV-PE3-08BLK  <b>DESCRIPTION:</b> LinkTech 60PP Series Panel Mt. Male, Valved 1/2" HB, Molded Black Color, Polypropylene
<small>PROPRIETARY AND CONFIDENTIAL THE INFORMATION CONTAINED IN THIS DRAWING IS THE SOLE PROPERTY OF LINKTECH LLC. ANY REPRODUCTION OR DISCLOSURE IN PART OR AS A WHOLE WITHOUT THE WRITTEN PERMISSION OF LINKTECH LLC IS STRICTLY PROHIBITED.</small>	<b>SIZE</b> DWG. NO. REV <b>C</b> 60PP600112 <b>A</b>		<b>SCALE:</b> NTS <b>WEIGHT:</b> SHEET 1 OF 1	