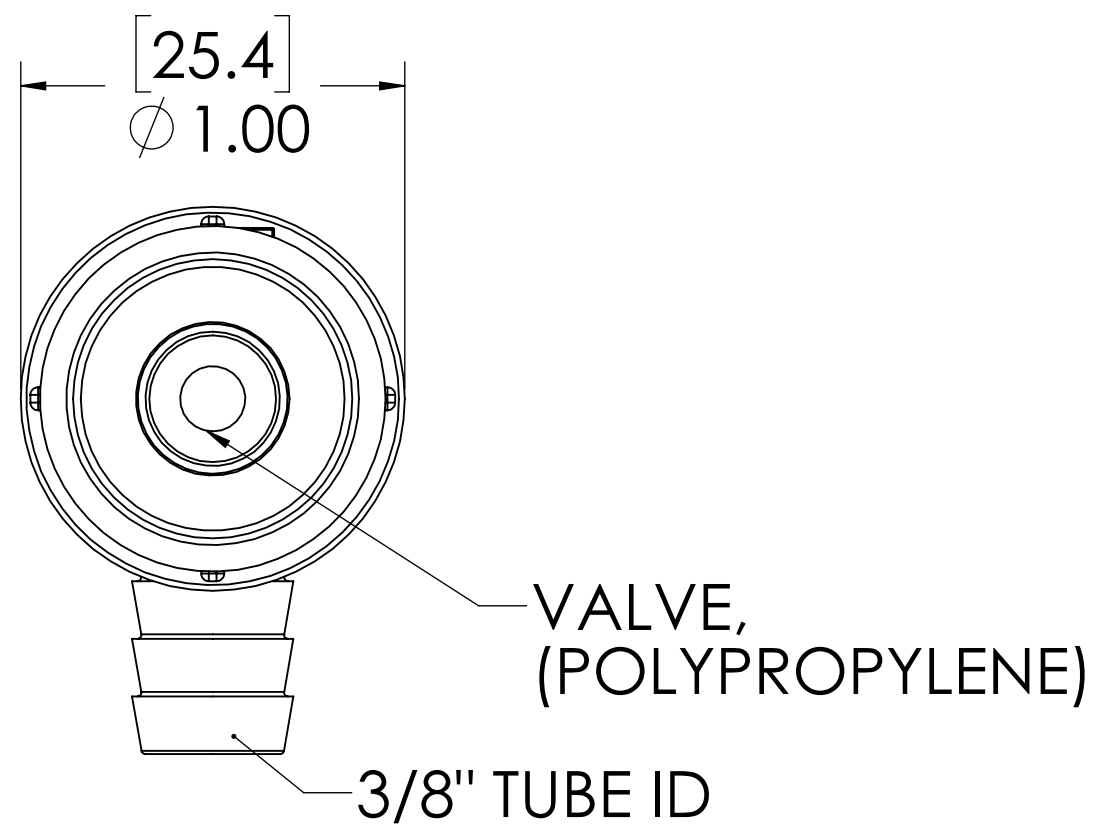
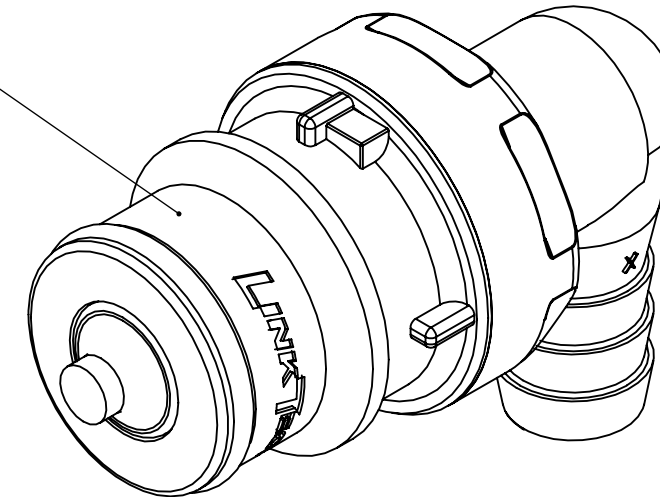


REVISIONS						
SHEET	ZONE	REV.	ECO	DESCRIPTION	DATE	APPROVED
1	ALL	A	50257	INITIAL RELEASE	6/28/2018	HRC

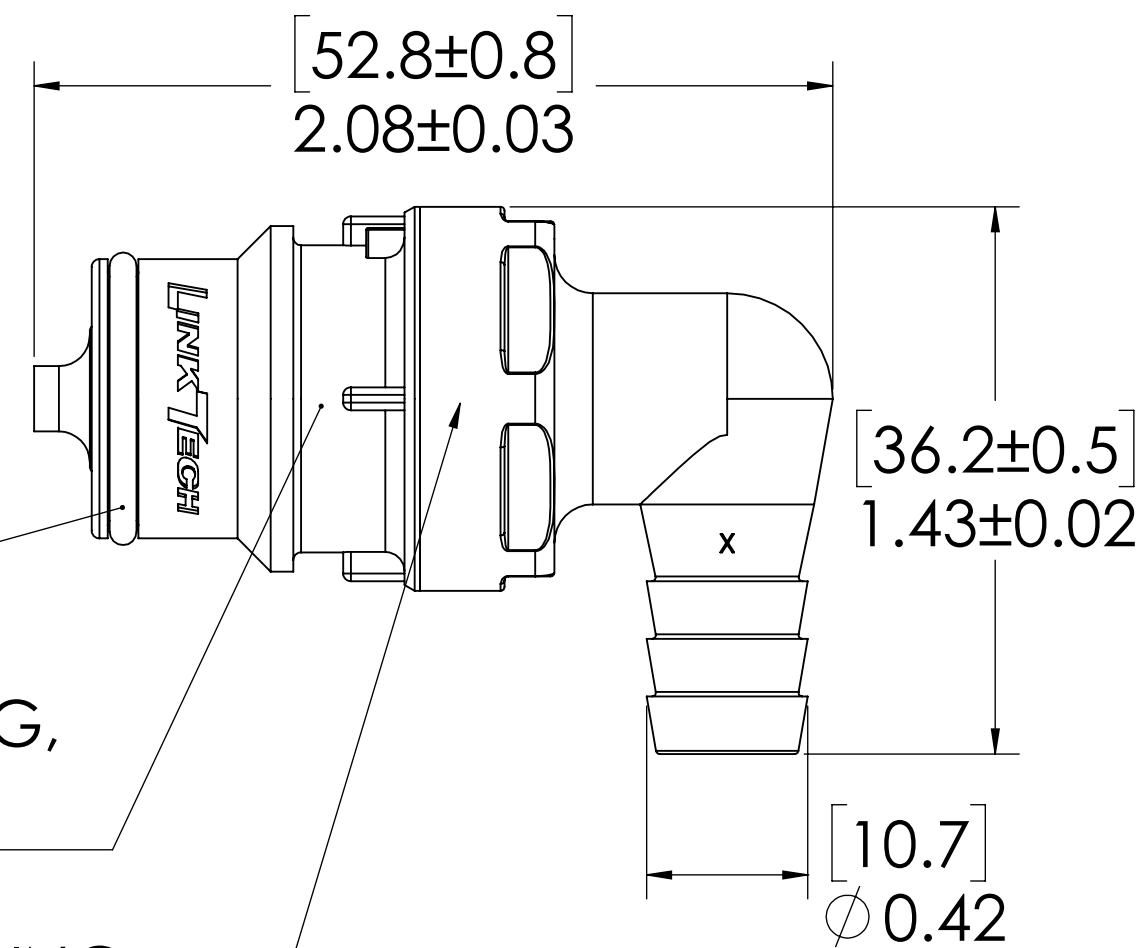
PLUG,
(POLYPROPYLENE)



O-RING,
(EPDM)

VALVE O-RING,
INTERNAL
(EPDM)

VALVE SPRING,
INTERNAL
(STAINLESS STEEL)



NOTES:

1. MATERIAL: POLYPROPYLENE
2. COLOR: BLACK
3. O-RING MATERIAL: EPDM
4. O-RINGS LUBRICATED WITH FOOD GRADE SILICONE OIL, 350 CST.

FOR REFERENCE ONLY

<small>UNLESS OTHERWISE SPECIFIED: DIMENSIONS ARE IN INCHES TOLERANCES: FRACTIONAL ± 1/32 ANGULAR: MACH ± 0.5 BEND ± 2 ONE PLACE DECIMAL ± 0.1 TWO PLACE DECIMAL ± 0.01 THREE PLACE DECIMAL ± 0.005 TWO PLACE DUAL (mm) [± 0.12]</small>	DRAWN	CGS	1/11/18	
	CHECKED	HRC	1/11/18	
	ENG APPR.	HRC	6/28/18	
	MFG APPR.	BDB	6/28/18	
PRODUCTION	LS	6/28/18		PART NO: 60PPV-PE4-06BLK DESCRIPTION: LinkTech 60PP Series Elbow Male, Valved, 3/8" HB, Molded Black Color, Polypropylene
<small>THE INFORMATION CONTAINED IN THIS DRAWING IS THE SOLE PROPERTY OF LINKTECH LLC. ANY REPRODUCTION OR DISCLOSURE IN PART OR AS A WHOLE WITHOUT THE WRITTEN PERMISSION OF LINKTECH LLC IS STRICTLY PROHIBITED.</small>				SIZE DWG. NO. REV C 60PP600159 A
SCALE: NTS			WEIGHT:	SHEET 1 OF 1