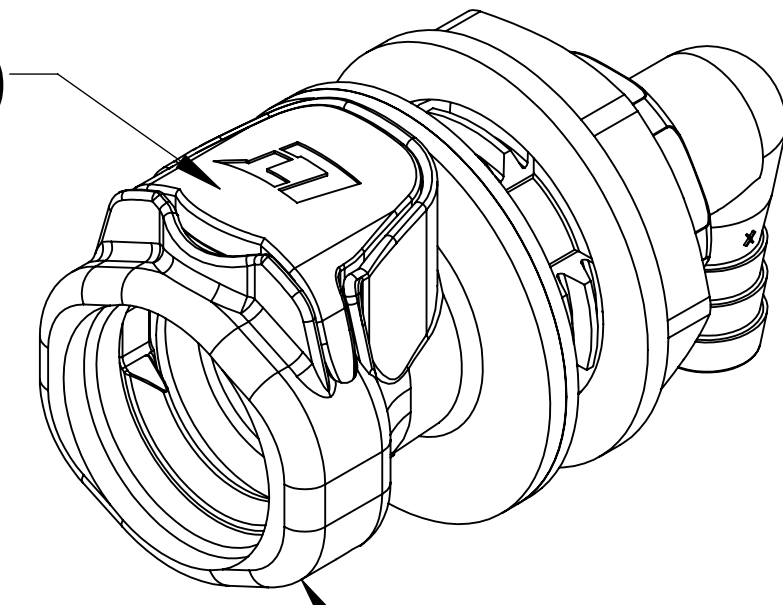


REVISIONS						
SHEET	ZONE	REV.	ECO	DESCRIPTION	DATE	APPROVED
1	ALL	NC	50093	INITIAL RELEASE	9/10/2014	HRC
ALL	ALL	B	50253	2017 FORMAT UPDATE	3/8/2018	HRC

**LATCH,  
(POLYPROPYLENE)**



**PLUG,  
(POLYPROPYLENE)**

**LATCH SPRING,  
(STAINLESS STEEL)**

**VALVE O-RING,  
INTERNAL  
(EPDM)**

**VALVE SPRING,  
INTERNAL  
(STAINLESS STEEL)**

**GASKET,  
(EPDM)**

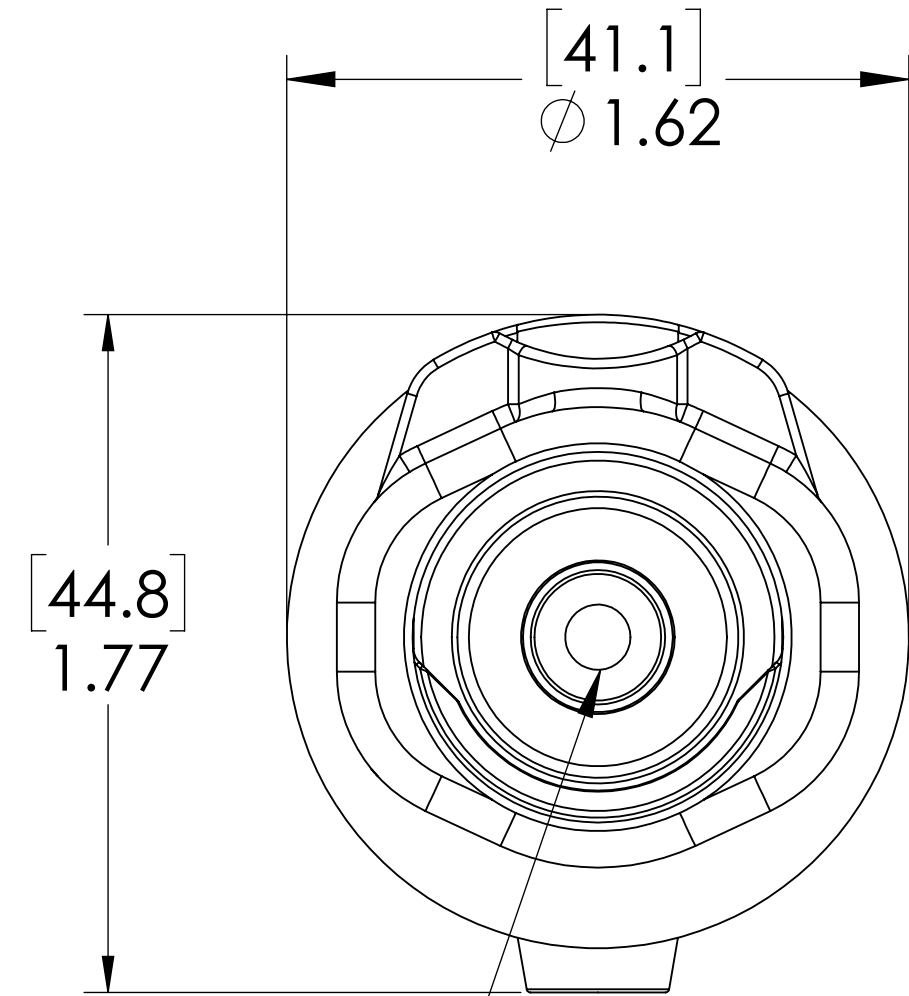
**PANEL NUT,  
(POLYPROPYLENE)**

$30.7^{+0.3}$   
 $0$   
 $\phi 1.21^{+0.01}$   
 $-0.00$

**3/8" TUBE ID**

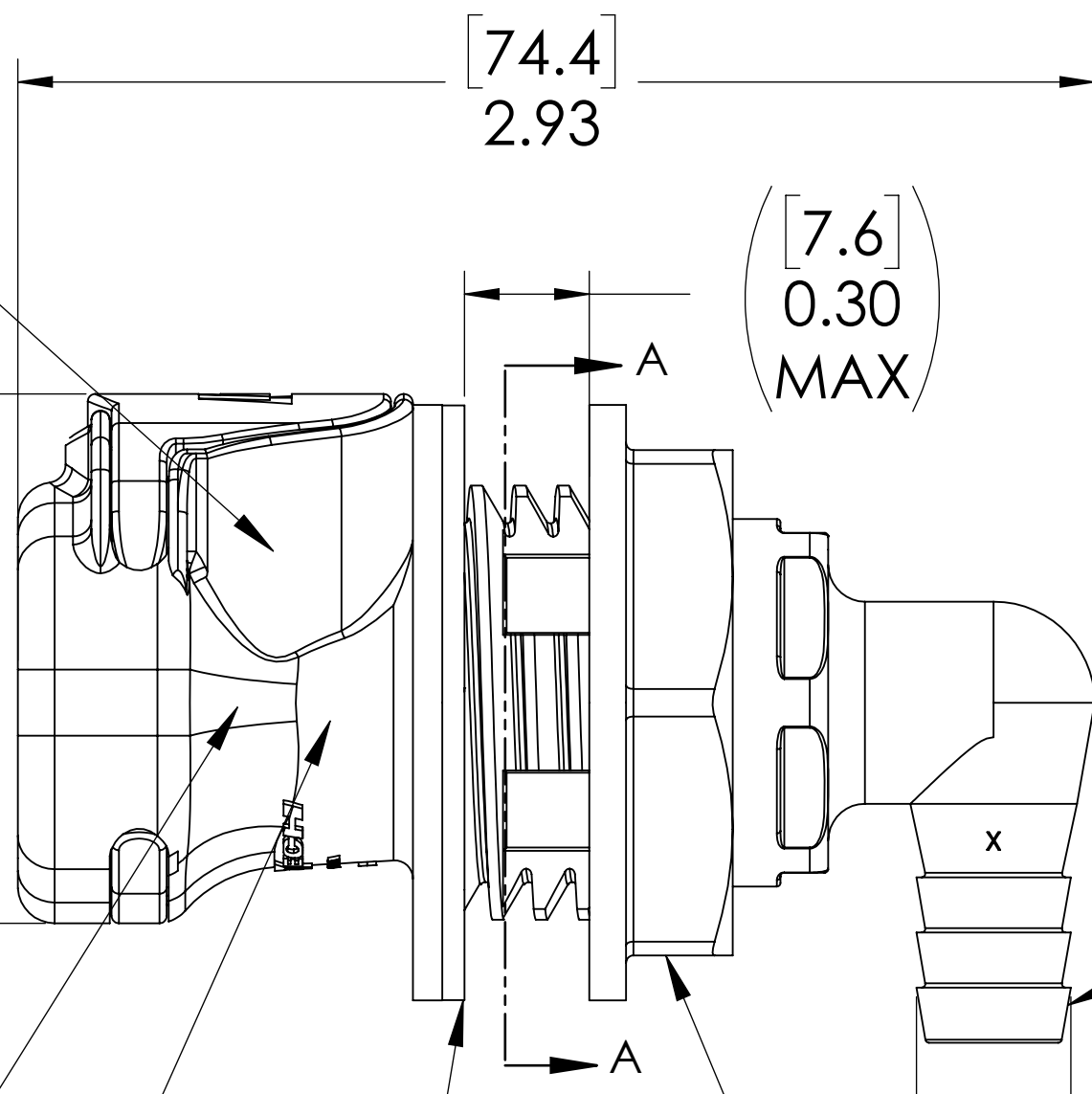
**PANEL OPENING  
(SECTION A-A)**

**FOR REFERENCE ONLY**



**VALVE,  
(POLYPROPYLENE)**

- NOTES:**
- MATERIAL: POLYPROPYLENE
  - COLOR: GREY
  - O-RING MATERIAL: EPDM
  - O-RINGS LUBRICATED WITH FOOD GRADE SILICONE OIL, 350 CST.



<small>UNLESS OTHERWISE SPECIFIED: DIMENSIONS ARE IN INCHES TOLERANCES: FRACTIONAL ± 1/32 ANGULAR: MACH ± 0.5 BEND ± 2 ONE PLACE DECIMAL ± 0.1 TWO PLACE DECIMAL ± 0.01 THREE PLACE DECIMAL ± 0.005 TWO PLACE DUAL (mm) [± 0.12]</small>	DRAWN	HRC	06-23-14	
	CHECKED	HRC	06-23-14	
	ENG APPR.	HRC	03/08/18	
	MFG APPR.	BDB	03/08/18	
PRODUCTION	RK	03/08/18		<b>PART NO:</b> 60PPV-SE22-06 <b>DESCRIPTION:</b> LinkTech 60PP Series Panel Mt. Female, Valved 375 HB Elbow, Polypropylene
<small>THE INFORMATION CONTAINED IN THIS DRAWING IS THE SOLE PROPERTY OF LINKTECH LLC. ANY REPRODUCTION OR DISCLOSURE IN PART OR AS A WHOLE WITHOUT THE WRITTEN PERMISSION OF LINKTECH LLC IS STRICTLY PROHIBITED.</small>	<b>SIZE</b> DWG. NO. <b>REV</b> <b>C</b> 60PP600087 <b>A</b>	<b>SCALE:</b> NTS <b>WEIGHT:</b>	<b>SHEET 1 OF 1</b>	