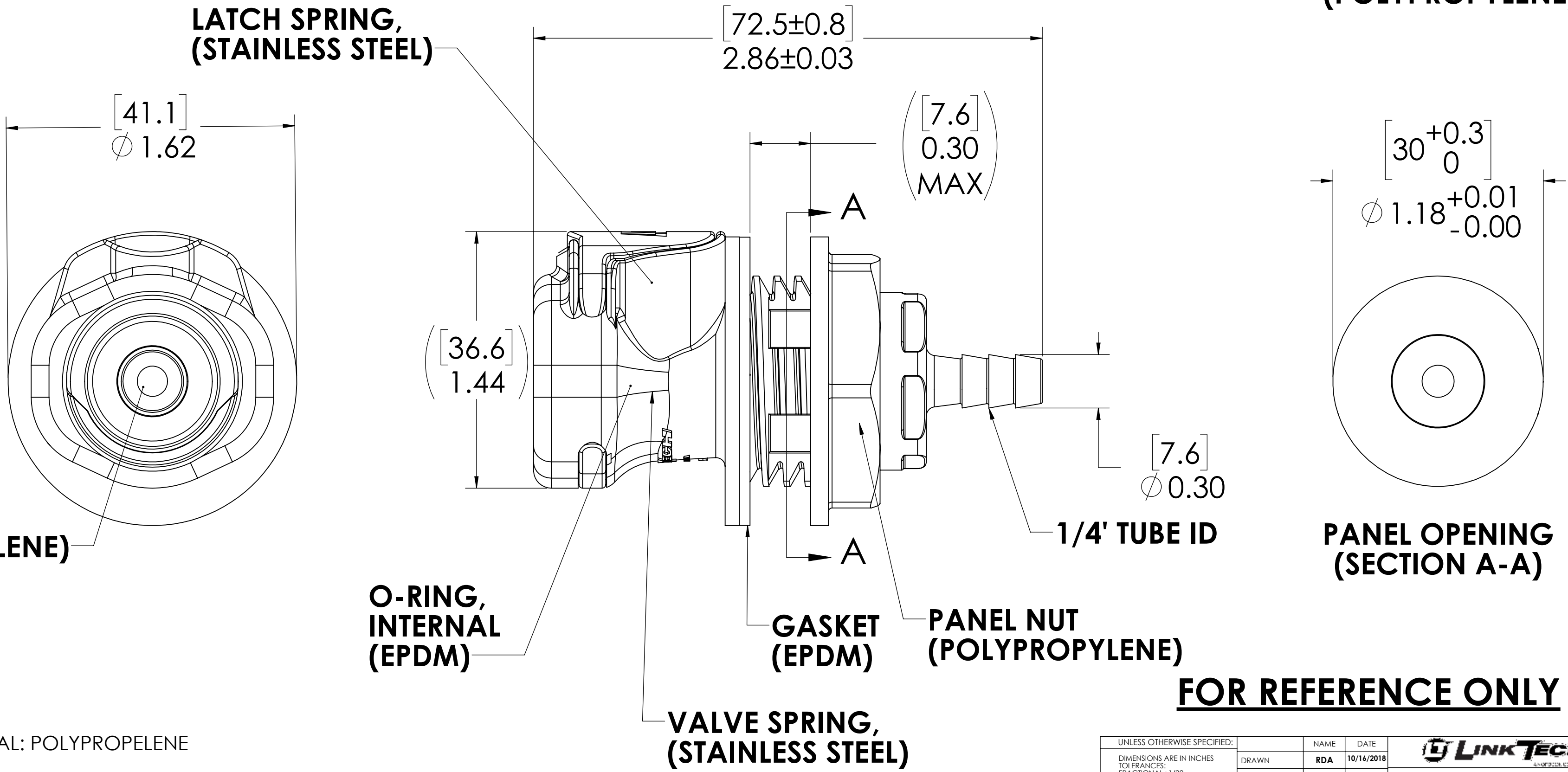
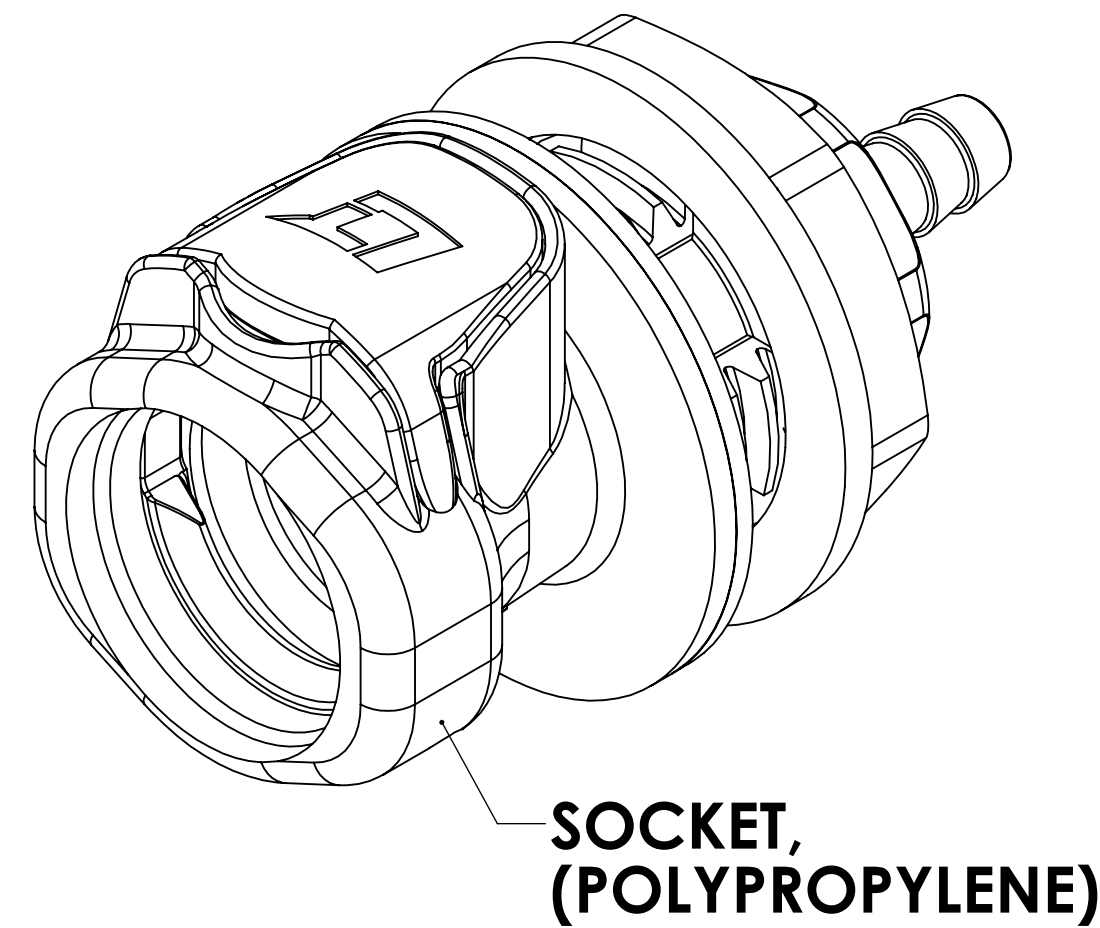


REVISIONS						
SHEET	ZONE	REV.	ECO	DESCRIPTION	DATE	APPROVED
1	ALL	A	50253	2017 FORMAT UPDATE	10/18/2018	HRC



FOR REFERENCE ONLY

- NOTES:**
1. MATERIAL: POLYPROPELENE
 2. COLOR: GREY
 3. O-RING MATERIAL: EPDM
 4. O-RINGS LUBRICATED WITH FOOD GRADE SILICONE OIL, 350 CST.

UNLESS OTHERWISE SPECIFIED: DIMENSIONS ARE IN INCHES TOLERANCES: FRACTIONAL $\pm 1/32$ ANGULAR: MACH ± 0.5 BEND ± 2 ONE PLACE DECIMAL ± 0.1 TWO PLACE DECIMAL ± 0.01 THREE PLACE DECIMAL ± 0.005 TWO PLACE DUAL (mm) $[\pm 0.12]$	DRAWN	RDA	10/16/2018	 PART NO: 60PPV-SE3-04 DESCRIPTION: LinkTech 60PP Series Panel Mt. Female, Valved, 250 HB, Polypropylene SIZE DWG. NO. REV C 60PP600166 A SCALE: NTS WEIGHT: SHEET 1 OF 1
	CHECKED	HRC	10/16/2018	
	ENG APPR.	HRC	10/18/18	
	MFG APPR.	BDB	10/18/18	
PRODUCTION	LS	10/18/18		
<small>PROPRIETARY AND CONFIDENTIAL</small> <small>THE INFORMATION CONTAINED IN THIS DRAWING IS THE SOLE PROPERTY OF LINKTECH LLC. ANY REPRODUCTION OR DISCLOSURE IN PART OR AS A WHOLE WITHOUT THE WRITTEN PERMISSION OF LINKTECH LLC IS STRICTLY PROHIBITED.</small>				