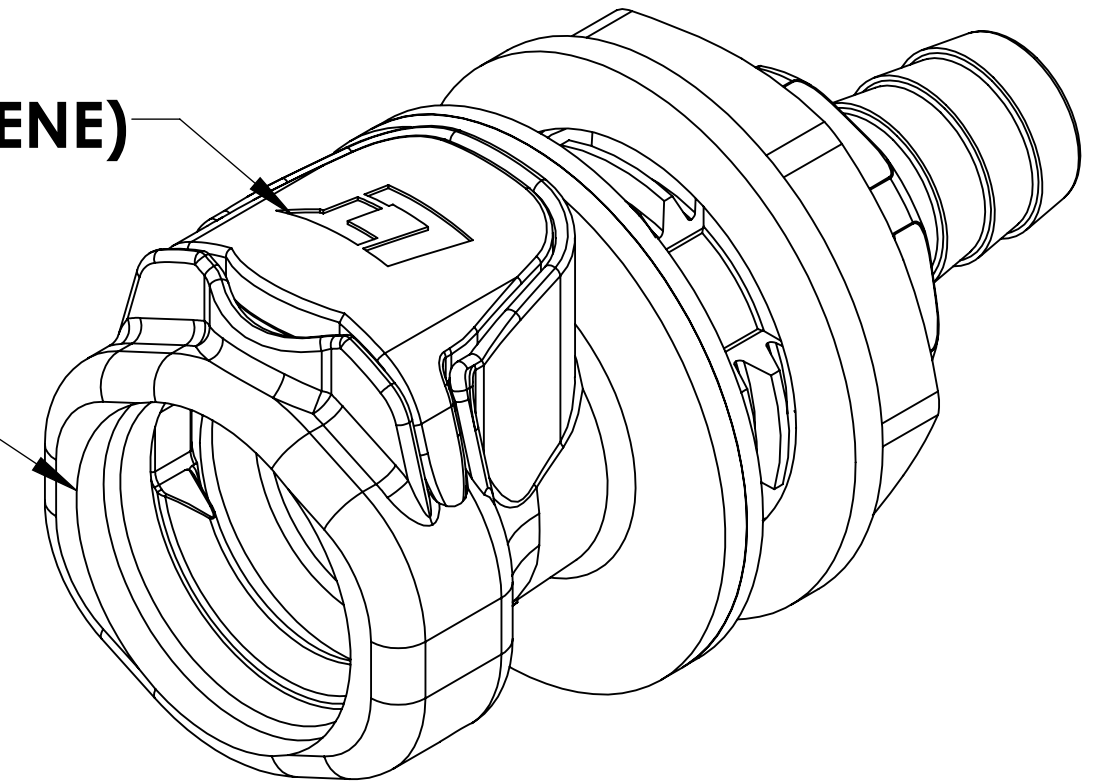


REVISIONS						
SHEET	ZONE	REV.	ECO	DESCRIPTION	DATE	APPROVED
1	A-8	A	ADDED O-RING LUBRICATION NOTE	6/20/2014	HRC
1	D-7	A	UPDATED LATCH SPRING	6/20/2014	HRC
1	E-2	A	ADDED GASKET TO ASSEMBLY	6/20/2014	HRC
1	ALL	A	50093	INITIAL RELEASE	9/10/2014	HRC
ALL	ALL	B	50253	2017 FORMAT UPDATE	3/8/2018	HRC

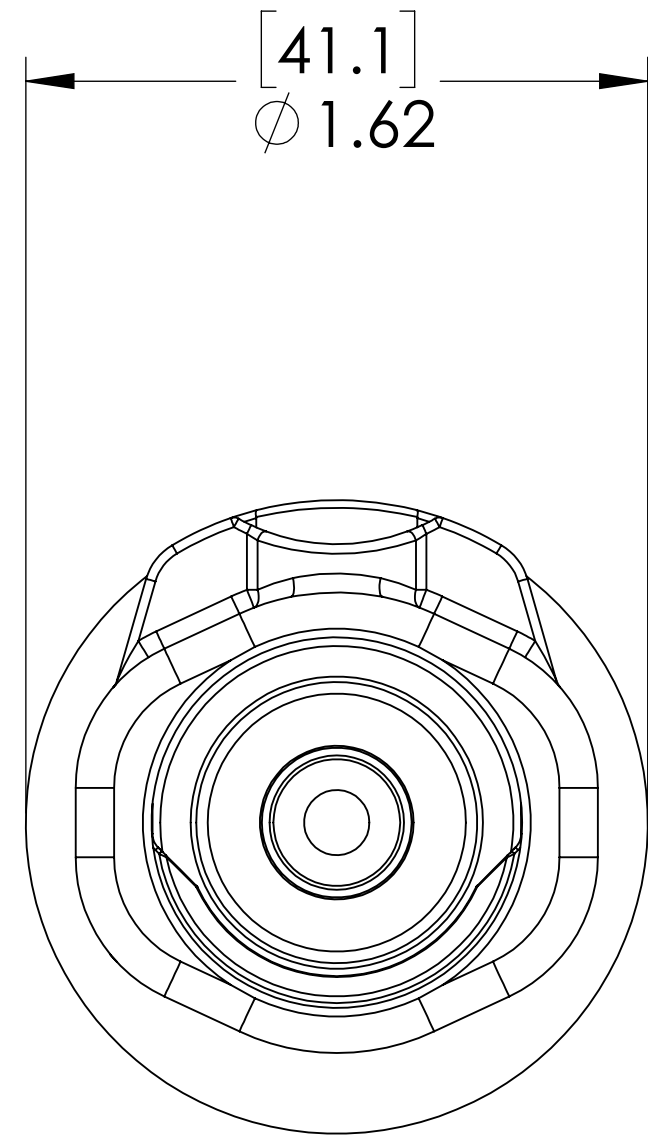
**LATCH
(POLYPROPYLENE)**

**SOCKET
(POLYPROPYLENE)**



**LATCH SPRING,
INTERNAL
(STAINLESS STEEL)**

$\left[\begin{matrix} 8.6 \\ 0.3 \\ \text{MAX} \end{matrix} \right]$



$\left[\begin{matrix} 36.6 \\ 1.44 \end{matrix} \right]$

**INTERNAL ORING
(EPDM)**

**VALVE SPRING
INTERNAL
(STAINLESS STEEL)**

**GASKET
(EPDM)**

**PANEL NUT
(POLYPROPYLENE)**

1/2" TUBE ID

$\left[\begin{matrix} 13.8 \\ \phi 0.55 \end{matrix} \right]$

$\left[\begin{matrix} 30.7^{+0.3} \\ 0 \\ \phi 1.21^{+0.01} \\ -0.00 \end{matrix} \right]$

**PANEL OPENING
(SECTION A-A)**

NOTES:

- MATERIAL: POLYPROPYLENE
- COLOR: GREY
- O-RING MATERIAL: EPDM
- O-RINGS LUBRICATED WITH FOOD GRADE SILICONE OIL, 350 CST.

FOR REFERENCE ONLY

<small>UNLESS OTHERWISE SPECIFIED: DIMENSIONS ARE IN INCHES TOLERANCES: FRACTIONAL ± 1/32 ANGULAR: MACH ± 0.5 BEND ± 2 ONE PLACE DECIMAL ± 0.1 TWO PLACE DECIMAL ± 0.01 THREE PLACE DECIMAL ± 0.005 TWO PLACE DUAL (mm) [± 0.12]</small>	DRAWN	HRC	09-20-13	
	CHECKED	HRC	09-20-13	
	ENG APPR.	HRC	03/08/18	
	MFG APPR.	BDB	03/08/18	
PRODUCTION	RK	03/08/18		PART NO: 60PPV-SE3-08 DESCRIPTION: LinkTech 60PP Series Straight Female, Valved, 500 HB, Polypropylene
<small>THE INFORMATION CONTAINED IN THIS DRAWING IS THE SOLE PROPERTY OF LINKTECH LLC. ANY REPRODUCTION OR DISCLOSURE IN PART OR AS A WHOLE WITHOUT THE WRITTEN PERMISSION OF LINKTECH LLC IS STRICTLY PROHIBITED.</small>				SIZE DWG. NO. REV C 60PP600079 B
SCALE: NTS			WEIGHT:	SHEET 1 OF 1