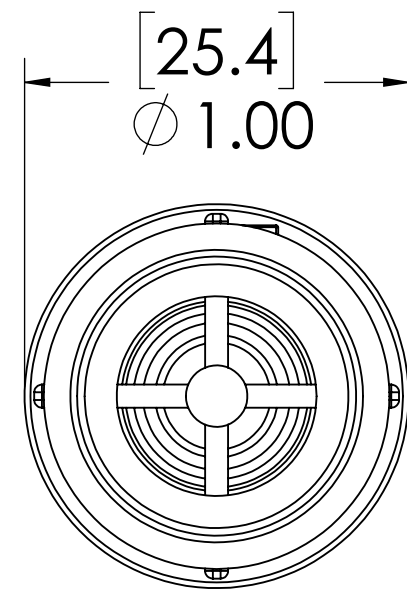
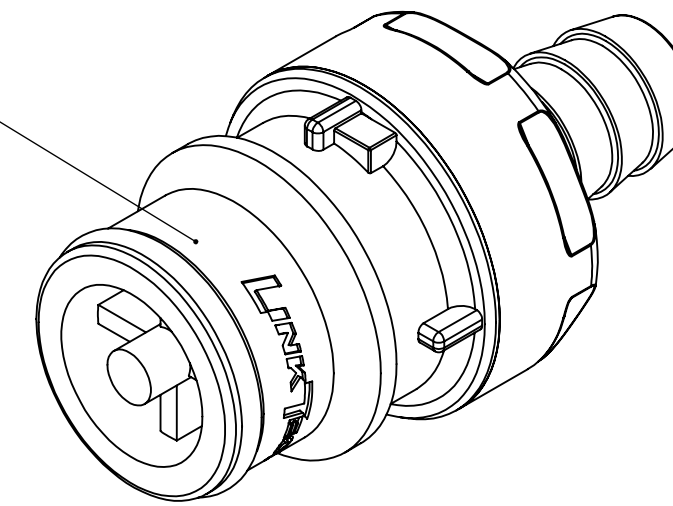
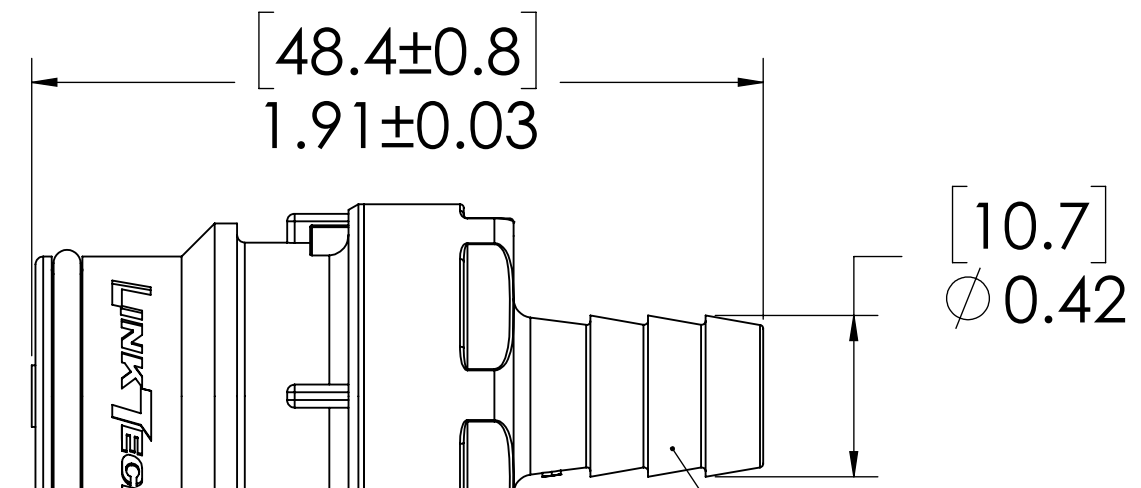


REVISIONS						
SHEET	ZONE	REV.	ECO	DESCRIPTION	DATE	APPROVED
1	ALL	A	50257	INITIAL RELEASE	6/28/2018	HRC

PLUG,
(POLYSULFONE)



O-RING,
(EPDM)




3/8" TUBE ID

NOTES:

1. MATERIAL: POLYSULFONE
2. COLOR: WHITE
3. O-RING MATERIAL: EPDM
4. O-RINGS LUBRICATED WITH FOOD GRADE SILICONE OIL, 350 CST.

FOR REFERENCE ONLY

<small>UNLESS OTHERWISE SPECIFIED: DIMENSIONS ARE IN INCHES TOLERANCES: FRACTIONAL ± 1/32 ANGULAR: MACH ± 0.5 BEND ± 2 ONE PLACE DECIMAL ± 0.1 TWO PLACE DECIMAL ± 0.01 THREE PLACE DECIMAL ± 0.005 TWO PLACE DUAL (mm) [± 0.12]</small>	DRAWN	HRC	9/03/13	 PART NO: 60PS-PE2-06 DESCRIPTION: LinkTech 60PS Series Straight Male, Non-valved 3/8" HB, Polysulfone
	CHECKED	HRC	9/03/13	
	ENG APPR.	HRC	6/28/18	
	MFG APPR.	BDB	6/28/18	
<small>PROPRIETARY AND CONFIDENTIAL</small> <small>THE INFORMATION CONTAINED IN THIS DRAWING IS THE SOLE PROPERTY OF LINKTECH LLC. ANY REPRODUCTION OR DISCLOSURE IN PART OR AS A WHOLE WITHOUT THE WRITTEN PERMISSION OF LINKTECH LLC IS STRICTLY PROHIBITED.</small>	PRODUCTION	LS	6/28/18	<small>SIZE</small> C
<small>COMMENTS:</small>			<small>DWG. NO.</small> 60PS600042	<small>REV</small> A
<small>SCALE: NTS</small>		<small>WEIGHT:</small>	<small>SHEET 1 OF 1</small>	