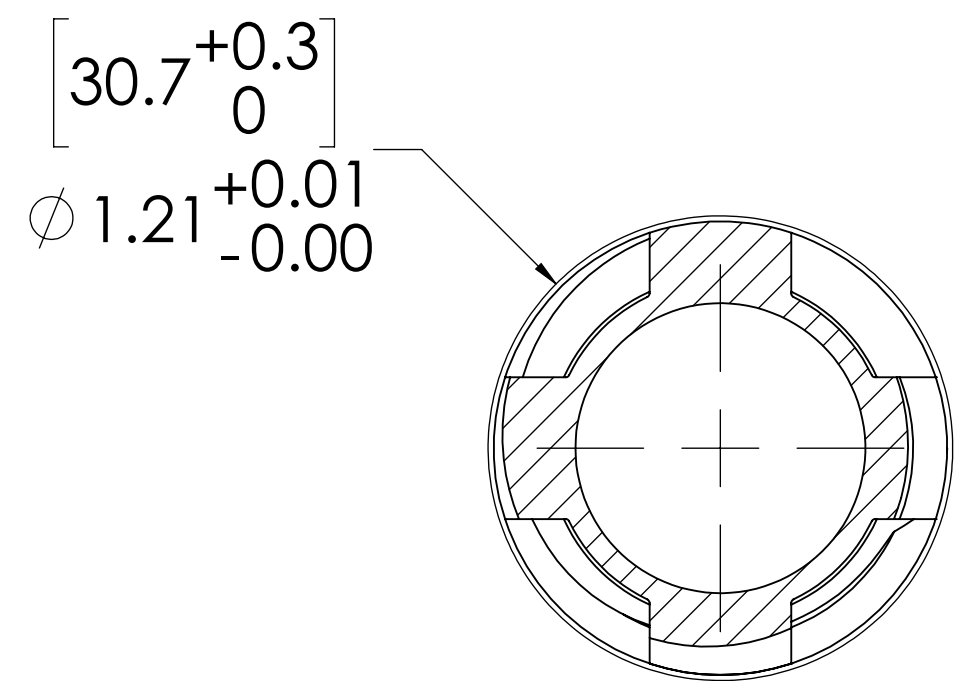
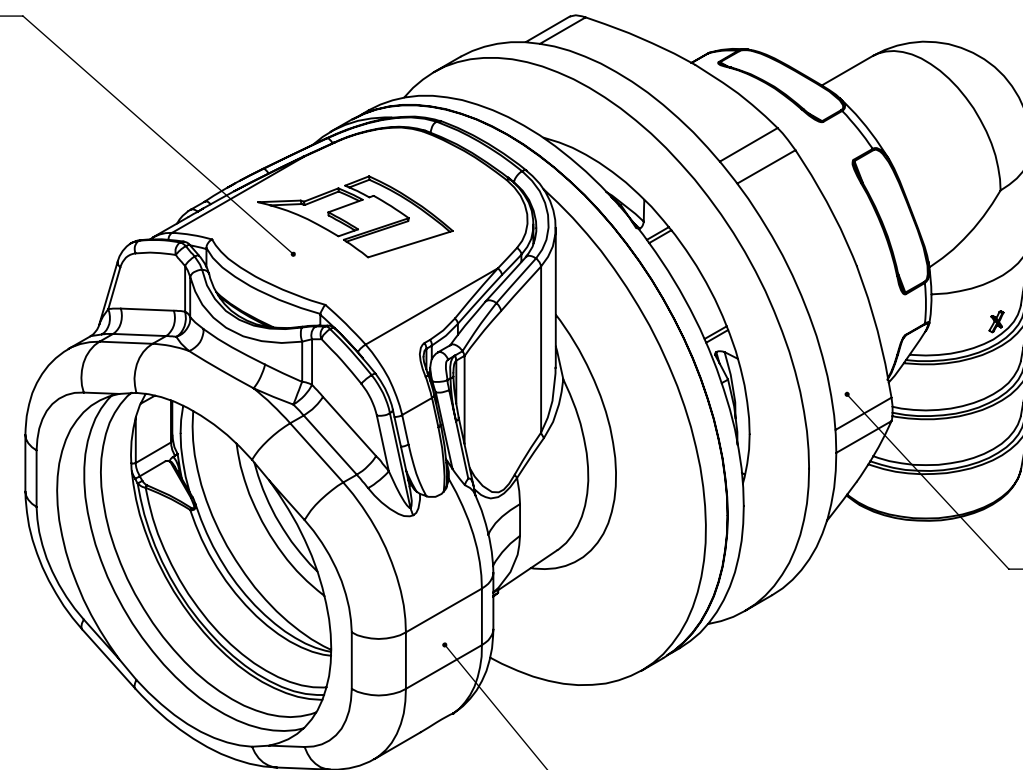


REVISIONS						
SHEET	ZONE	REV.	ECO	DESCRIPTION	DATE	APPROVED
ALL	ALL	NC	50108	INITIAL RELEASE	9/9/2014	HRC
ALL	ALL	A	50311	UPDATE DWG FORMAT TO STANDARDS	1/17/2020	CKE



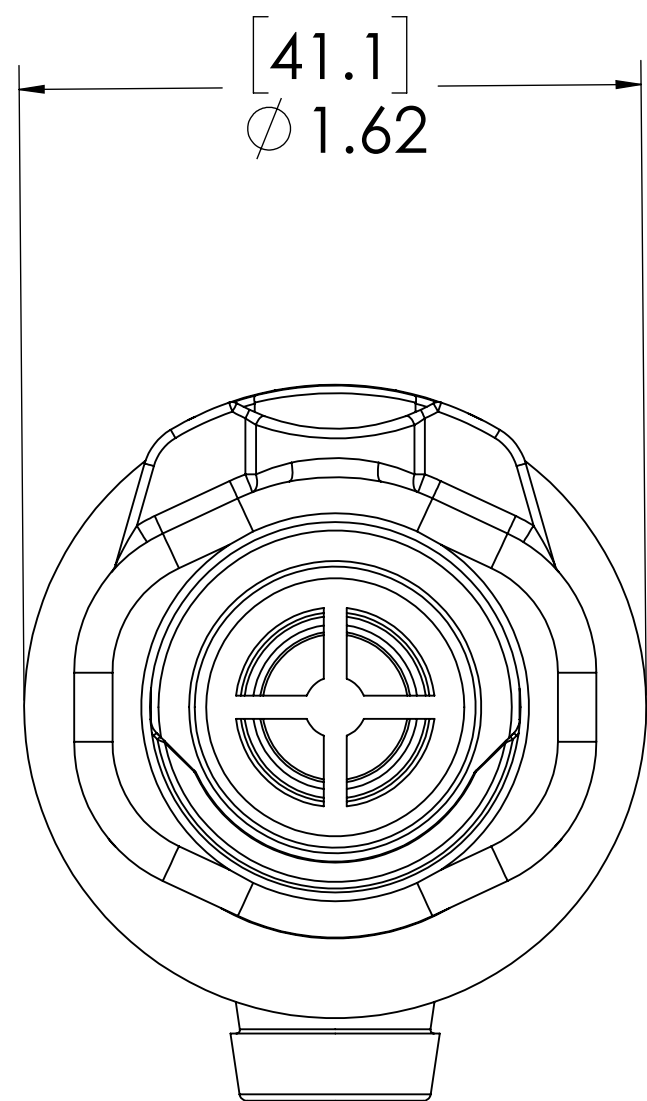
PANEL OPENING
(SECTION A-A)

LATCH,
(POLYSULFONE)

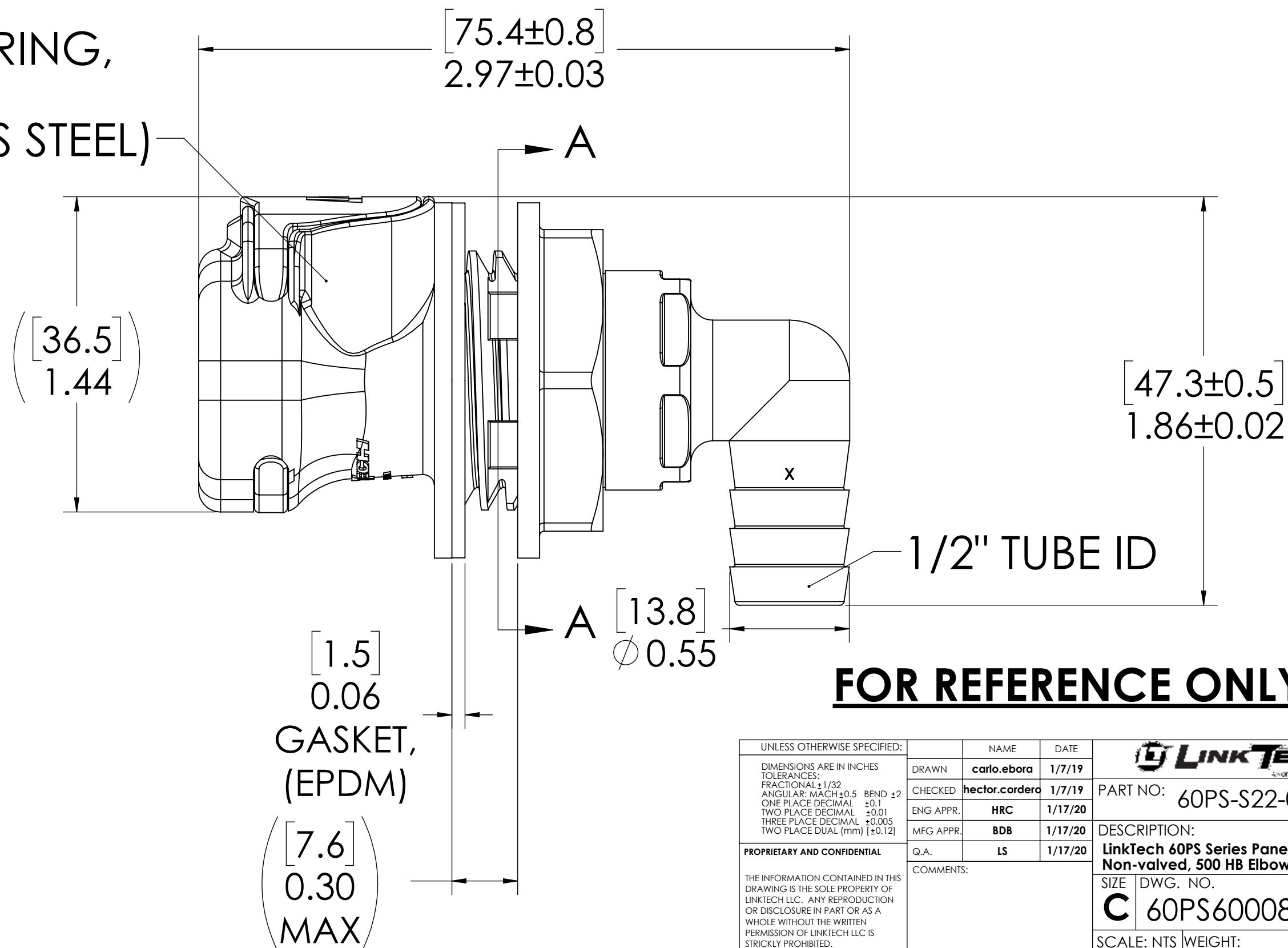


PANEL NUT,
(POLYSULFONE)

SOCKET,
(POLYSULFONE)



LATCH SPRING,
INTERNAL
(STAINLESS STEEL)



FOR REFERENCE ONLY

- NOTES:**
- MATERIAL: POLYSULFONE
 - COLOR: WHITE

<small>UNLESS OTHERWISE SPECIFIED: DIMENSIONS ARE IN INCHES TOLERANCES: FRACTIONAL ± 1/32 ANGULAR, MACH ± 0.5 BEND ± 2 ONE PLACE DECIMAL ± 0.1 TWO PLACE DECIMAL ± 0.01 THREE PLACE DECIMAL ± 0.005 TWO PLACE DUAL (mm) ± 0.12</small>	DRAWN	carlo.ebora	1/7/19	
	CHECKED	hector.cordera	1/7/19	
	ENG APPR.	HRC	1/17/20	
	MFG APPR.	BDB	1/17/20	
PROPRIETARY AND CONFIDENTIAL	Q.A.	LS	1/17/20	<small>THE INFORMATION CONTAINED IN THIS DRAWING IS THE SOLE PROPERTY OF LINKTECH LLC. ANY REPRODUCTION OR DISCLOSURE IN PART OR AS A WHOLE WITHOUT THE WRITTEN PERMISSION OF LINKTECH LLC IS STRICTLY PROHIBITED.</small>
PART NO: 60PS-S22-08				
DESCRIPTION: LinkTech 60PS Series Panel Mt. Female, Non-valved, 500 HB Elbow, Polysulfone				
SIZE	DWG. NO.	REV		
C	60PS600088	A		
SCALE: NTS	WEIGHT:	SHEET 1 OF 1		