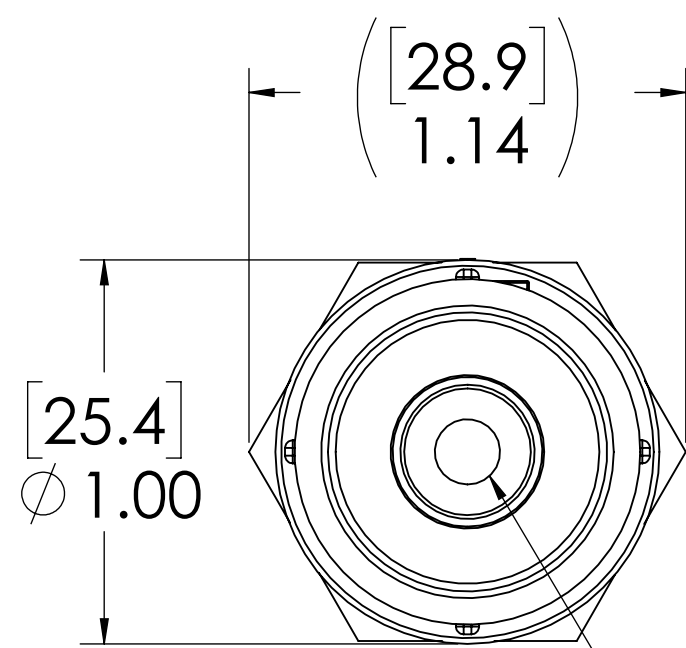
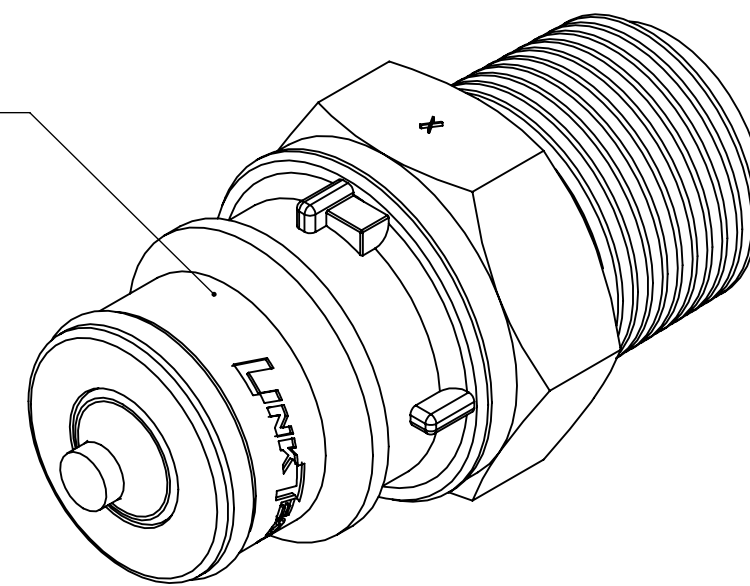
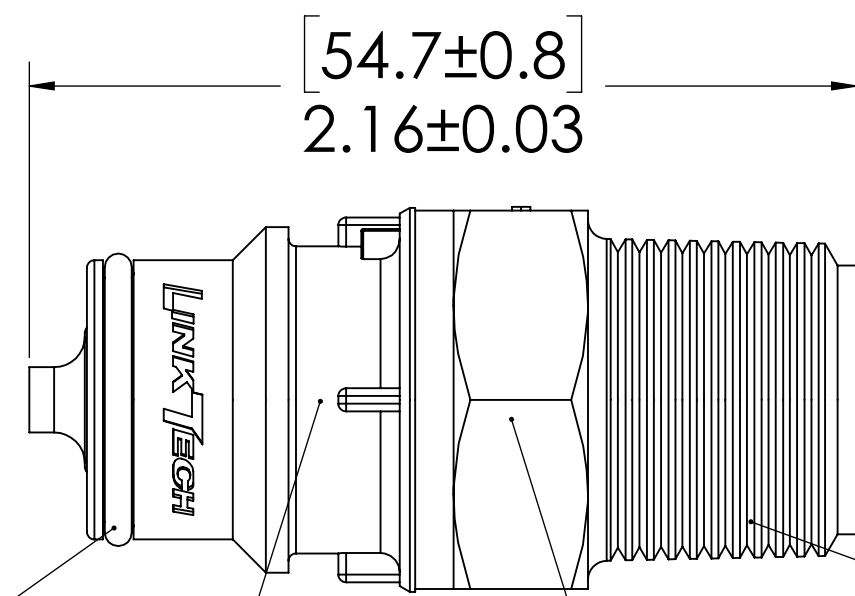


REVISIONS						
SHEET	ZONE	REV.	ECO	DESCRIPTION	DATE	APPROVED
1	ALL	A	50257	INITIAL RELEASE	6/28/2018	HRC

PLUG,
(POLYSULFONE)



VALVE,
(POLYSULFONE)



O-RING,
(EPDM)

VALVE O-RING,
INTERNAL
(EPDM)

1/2" NPT
(PIPE THREAD)

VALVE SPRING,
INTERNAL
(STAINLESS STEEL)

NOTES:

1. MATERIAL: POLYSULFONE
2. COLOR: WHITE
3. O-RING MATERIAL: EPDM
4. O-RINGS LUBRICATED WITH FOOD GRADE SILICONE OIL, 350 CST.

FOR REFERENCE ONLY

<small>UNLESS OTHERWISE SPECIFIED: DIMENSIONS ARE IN INCHES TOLERANCES: FRACTIONAL ± 1/32 ANGULAR: MACH ± 0.5 BEND ± 2 ONE PLACE DECIMAL ± 0.1 TWO PLACE DECIMAL ± 0.01 THREE PLACE DECIMAL ± 0.005 TWO PLACE DUAL (mm) [± 0.12]</small>	DRAWN	HRC	9/04/13	
	CHECKED	HRC	9/04/13	
	ENG APPR.	HRC	6/28/18	
	MFG APPR.	BDB	6/28/18	
PRODUCTION	LS	6/28/18		PART NO: 60PSV-PE1-08 DESCRIPTION: LinkTech 60PS Series Male Thread Male, Valved, 1/2" MNPT, Polysulfone
<small>PROPRIETARY AND CONFIDENTIAL THE INFORMATION CONTAINED IN THIS DRAWING IS THE SOLE PROPERTY OF LINKTECH LLC. ANY REPRODUCTION OR DISCLOSURE IN PART OR AS A WHOLE WITHOUT THE WRITTEN PERMISSION OF LINKTECH LLC IS STRICTLY PROHIBITED.</small>	COMMENTS:			SIZE DWG. NO. REV C 60PS600062 A
SCALE: NTS		WEIGHT:	SHEET 1 OF 1	