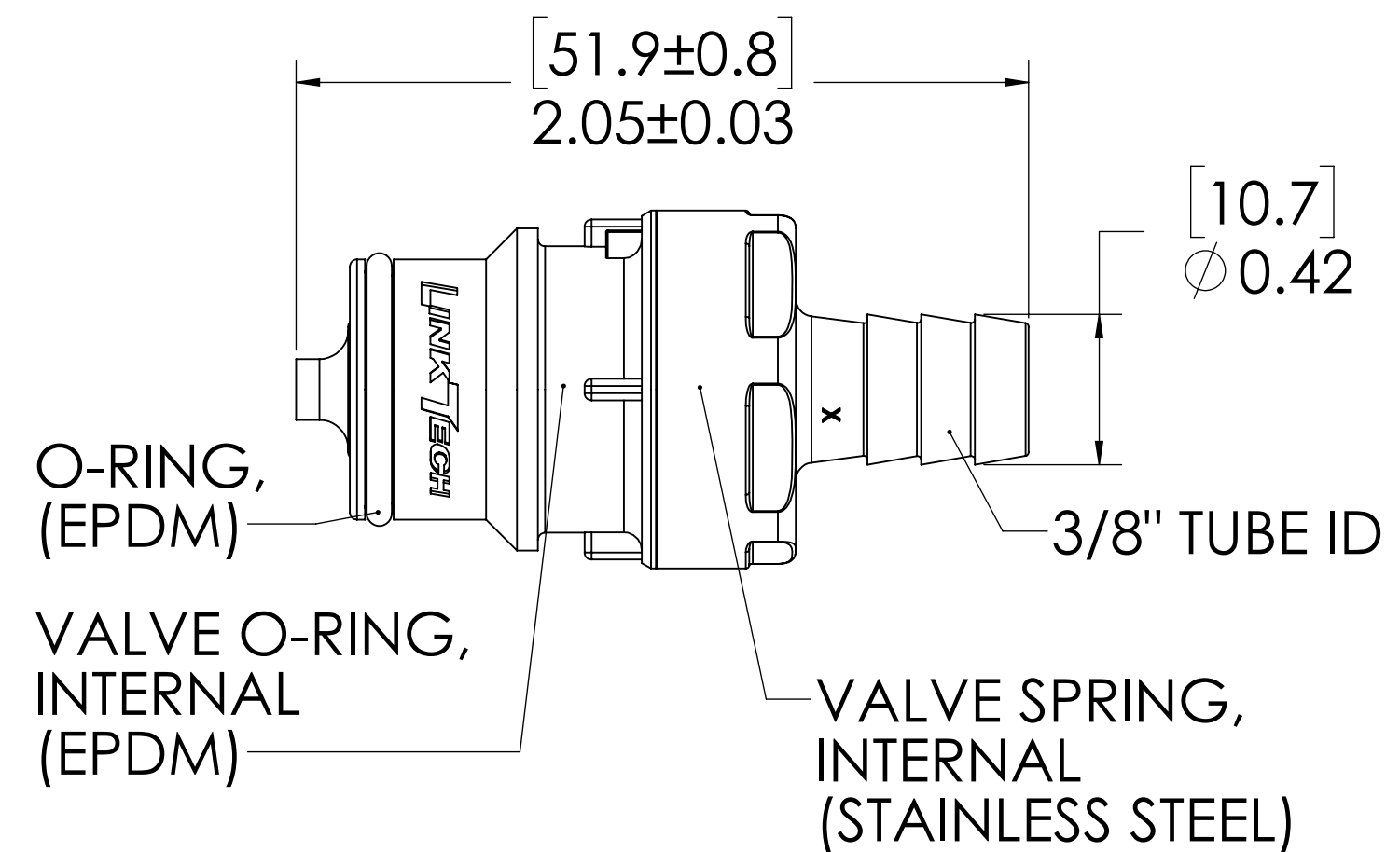
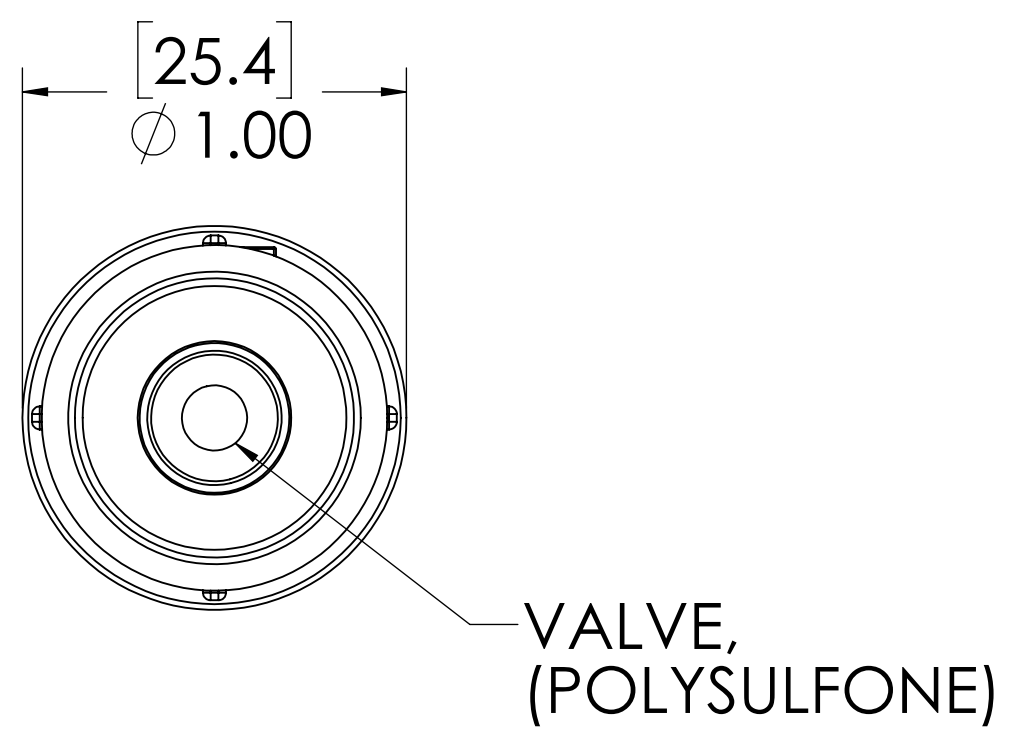
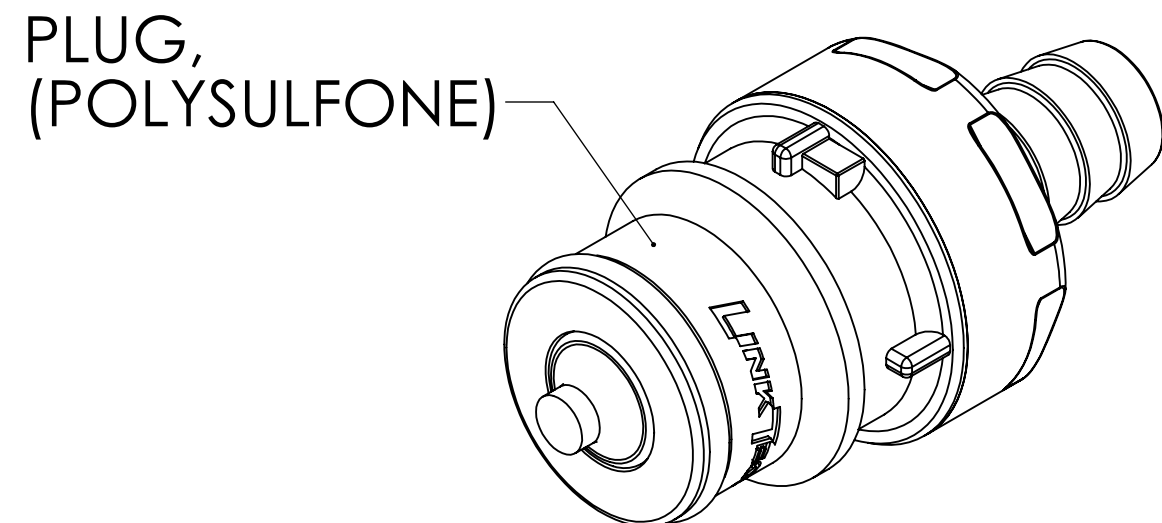


REVISIONS						
SHEET	ZONE	REV.	ECO	DESCRIPTION	DATE	APPROVED
1	A-8	A	ADDED O-RING LUBRICATION NOTE	8/20/2014	HRC
1	ALL	A	50108	INITIAL RELEASE	9/9/2014	HRC
1	ALL	B	50257	O-RING AND DWG FORMAT UPDATE	6/28/2018	HRC



- NOTES:**
1. MATERIAL: POLYSULFONE
 2. COLOR: WHITE
 3. O-RING MATERIAL: EPDM
 4. O-RINGS LUBRICATED WITH FOOD GRADE SILICONE OIL, 350 CST.

FOR REFERENCE ONLY

<small>UNLESS OTHERWISE SPECIFIED: DIMENSIONS ARE IN INCHES TOLERANCES: FRACTIONAL ± 1/32 ANGULAR: MACH ± 0.5 BEND ± 2 ONE PLACE DECIMAL ± 0.1 TWO PLACE DECIMAL ± 0.01 THREE PLACE DECIMAL ± 0.005 TWO PLACE DUAL (mm) [± 0.12]</small>	DRAWN	HRC	9/4/13							
	CHECKED	HRC	9/4/13							
	ENG APPR.	HRC	6/28/18							
	MFG APPR.	BDB	6/28/18							
PRODUCTION	LS	6/28/18		PART NO: 60PSV-PE2-06 DESCRIPTION: LinkTech 60PS Series Straight Male, Valved 3/8" HB, Polysulfone						
<small>PROPRIETARY AND CONFIDENTIAL THE INFORMATION CONTAINED IN THIS DRAWING IS THE SOLE PROPERTY OF LINKTECH LLC. ANY REPRODUCTION OR DISCLOSURE IN PART OR AS A WHOLE WITHOUT THE WRITTEN PERMISSION OF LINKTECH LLC IS STRICTLY PROHIBITED.</small>	COMMENTS:			<table border="1"> <tr> <td>SIZE</td> <td>DWG. NO.</td> <td>REV</td> </tr> <tr> <td>C</td> <td>60PS600064</td> <td>B</td> </tr> </table>	SIZE	DWG. NO.	REV	C	60PS600064	B
SIZE	DWG. NO.	REV								
C	60PS600064	B								
SCALE: NTS		WEIGHT:	SHEET 1 OF 1							