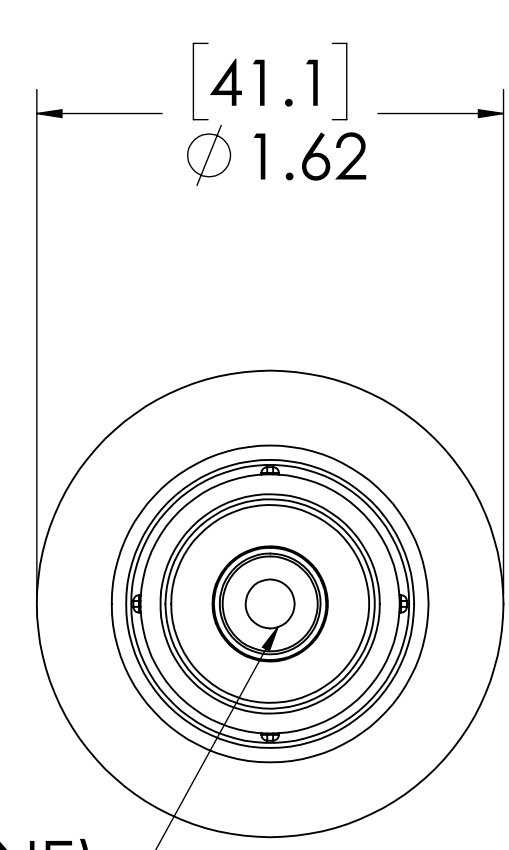
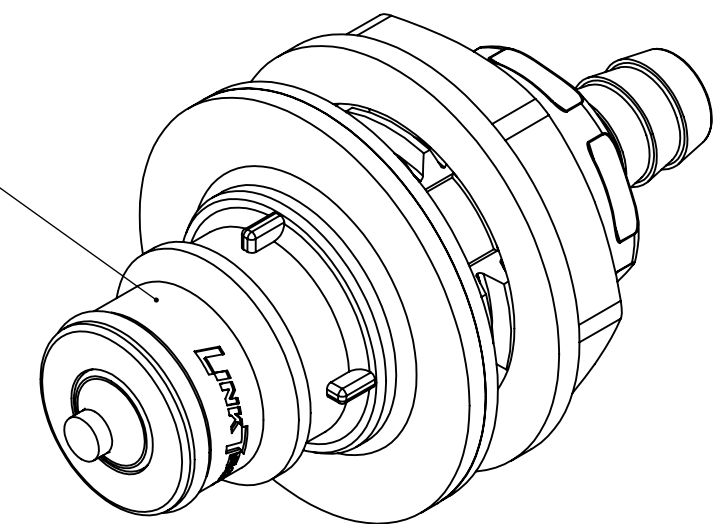
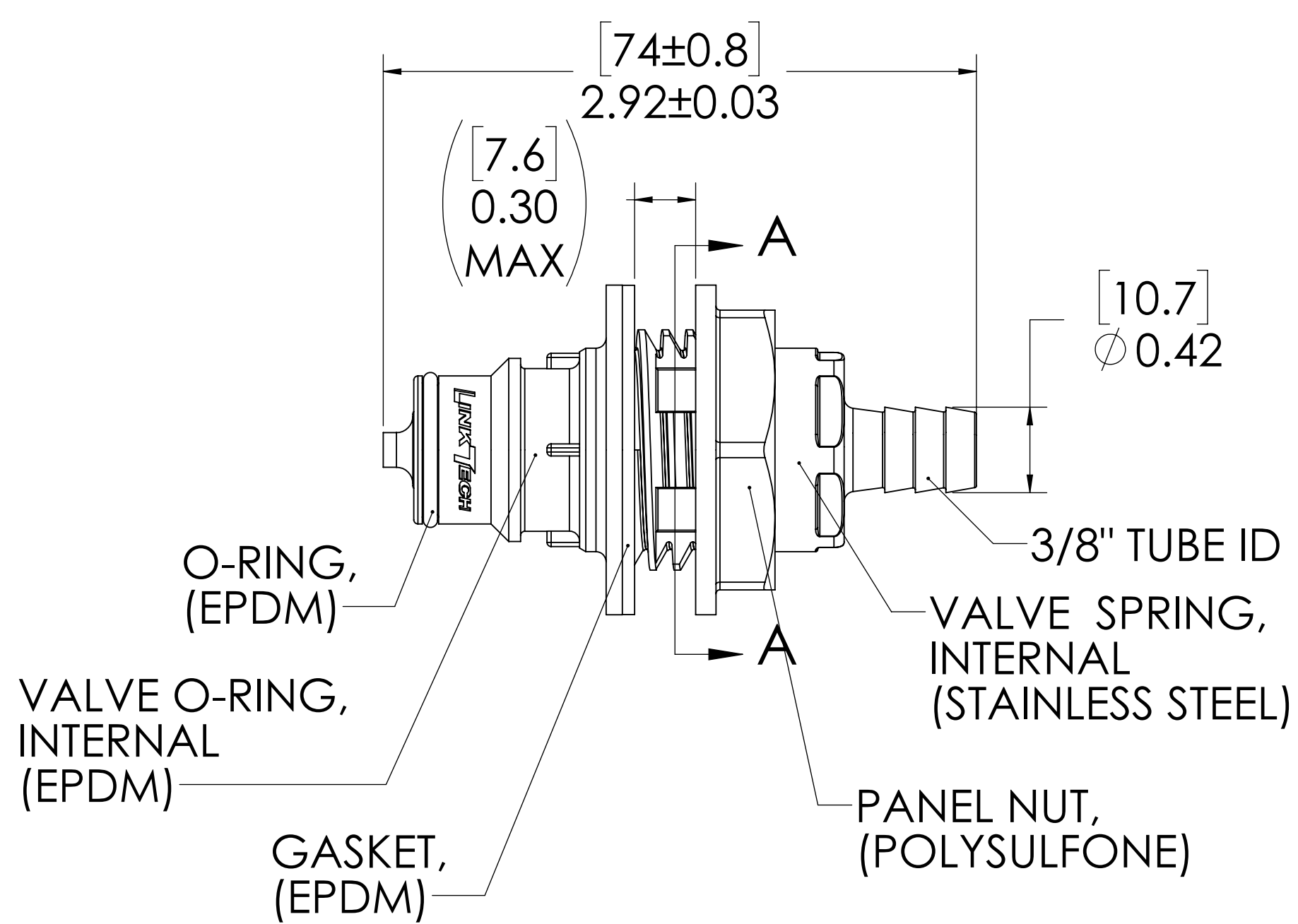


REVISIONS						
SHEET	ZONE	REV.	ECO	DESCRIPTION	DATE	APPROVED
1	ALL	A	50257	INITIAL RELEASE	7/9/2018	HRC

PLUG,  
(POLYSULFONE)



VALVE,  
(POLYSULFONE)



O-RING,  
(EPDM)

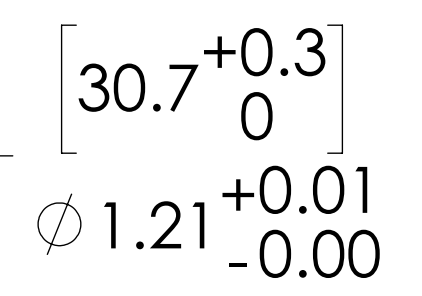
VALVE O-RING,  
INTERNAL  
(EPDM)

GASKET,  
(EPDM)

PANEL NUT,  
(POLYSULFONE)

VALVE SPRING,  
INTERNAL  
(STAINLESS STEEL)

3/8" TUBE ID



PANEL OPENING  
(SECTION A-A)

- NOTES:**
1. MATERIAL: POLYSULFONE
  2. COLOR: WHITE
  3. O-RING MATERIAL: EPDM
  4. O-RINGS LUBRICATED WITH FOOD GRADE SILICONE OIL, 350 CST.

**FOR REFERENCE ONLY**

<small>UNLESS OTHERWISE SPECIFIED: DIMENSIONS ARE IN INCHES TOLERANCES: FRACTIONAL ± 1/32 ANGULAR: MACH ± 0.5 BEND ± 2 ONE PLACE DECIMAL ± 0.1 TWO PLACE DECIMAL ± 0.01 THREE PLACE DECIMAL ± 0.005 TWO PLACE DUAL (mm) [± 0.12]</small>	DRAWN	HRC	9/20/13	
	CHECKED	HRC	9/20/13	
	ENG APPR.	HRC	7/9/18	
	MFG APPR.	BDB	7/9/18	
PRODUCTION	LS	7/9/18		<b>PART NO:</b> 60PSV-PE3-06 <b>DESCRIPTION:</b> LinkTech 60PS Series Panel Mt. Male, Valved 3/8" HB, Polysulfone
<small>PROPRIETARY AND CONFIDENTIAL THE INFORMATION CONTAINED IN THIS DRAWING IS THE SOLE PROPERTY OF LINKTECH LLC. ANY REPRODUCTION OR DISCLOSURE IN PART OR AS A WHOLE WITHOUT THE WRITTEN PERMISSION OF LINKTECH LLC IS STRICTLY PROHIBITED.</small>	COMMENTS:			<b>SIZE</b> DWG. NO. REV <b>C</b> 60PS600067 <b>A</b>
SCALE: NTS		WEIGHT:	SHEET 1 OF 1	