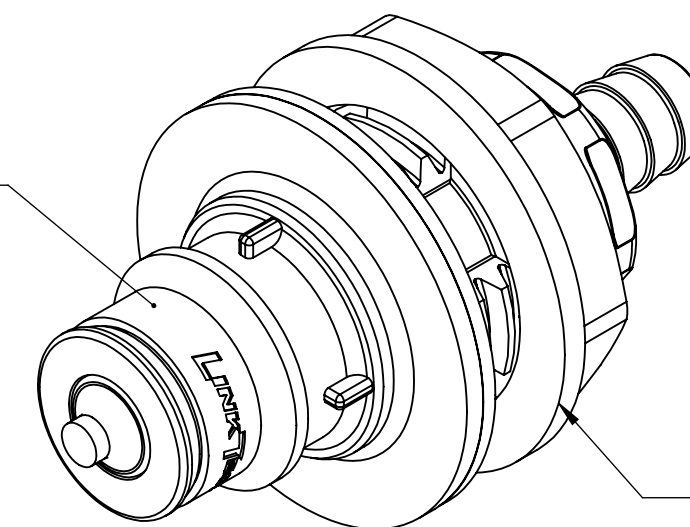
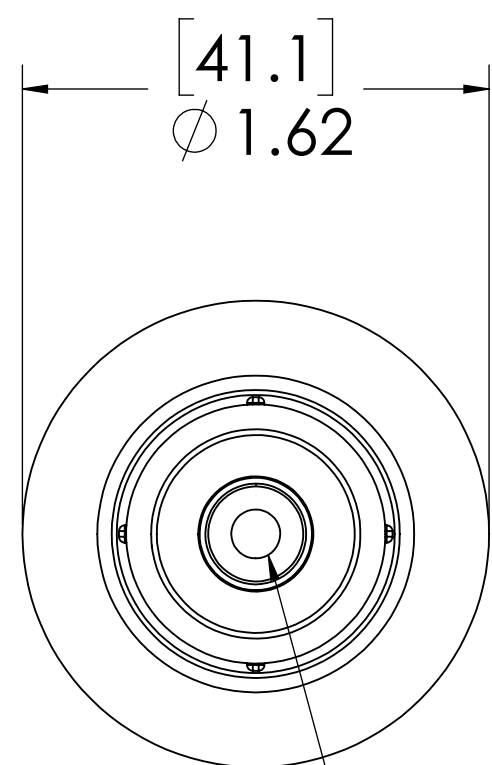


REVISIONS						
SHEET	ZONE	REV.	ECO	DESCRIPTION	DATE	APPROVED
1	ALL	A	50257	O-RING AND DWG FORMAT UPDATE	10/10/2018	HRC

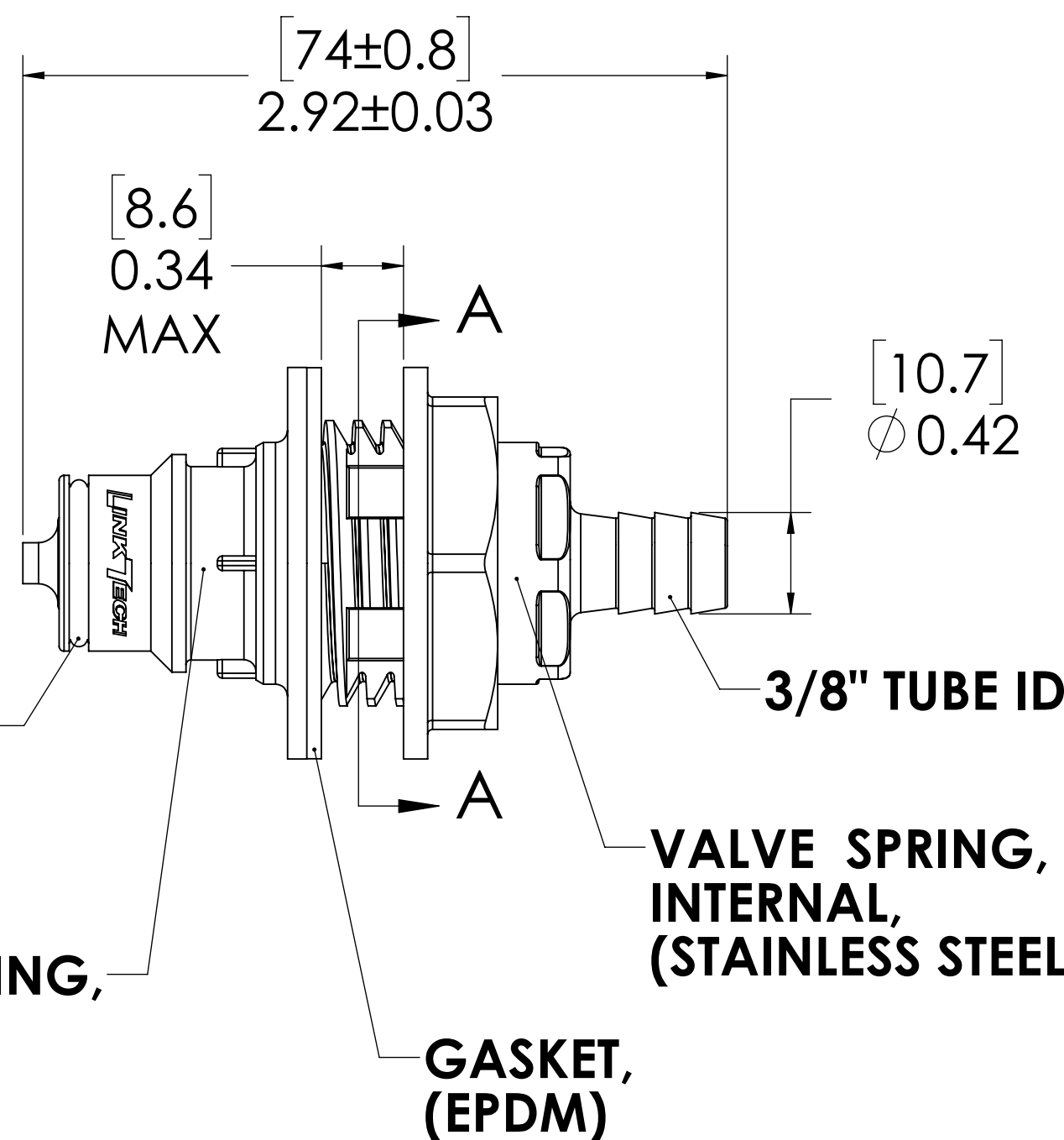
**PLUG  
(POLYSULFONE)**



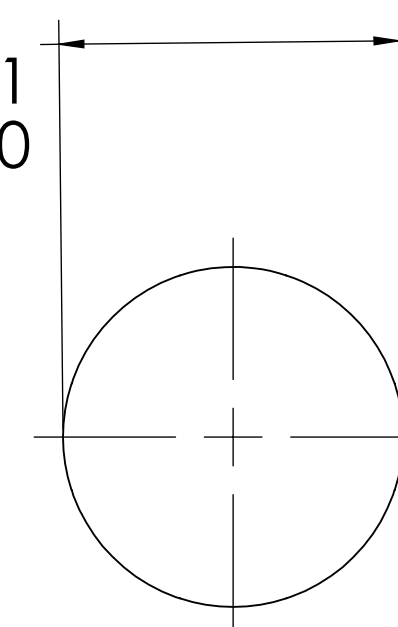
**PANEL NUT  
(POLYSULFONE)**



**VALVE  
(POLYSULFONE)**



$[30.7^{+0.3}]$   
 $\phi 1.21^{+0.01}_{-0.00}$



**PANEL OPENING  
(SECTION A-A)**

- NOTES:**
- MATERIAL: POLYSULFONE
  - COLOR: BLACK
  - O-RING AND GASKET MATERIAL: EPDM
  - O-RINGS LUBRICATED WITH FOOD GRADE SILICONE OIL, 350 CST.

**FOR REFERENCE ONLY**

<small>UNLESS OTHERWISE SPECIFIED:          DIMENSIONS ARE IN INCHES          TOLERANCES:          FRACTIONAL <math>\pm 1/32</math>          ANGULAR: MACH <math>\pm 0.5</math> BEND <math>\pm 2</math>          ONE PLACE DECIMAL <math>\pm 0.1</math>          TWO PLACE DECIMAL <math>\pm 0.01</math>          THREE PLACE DECIMAL <math>\pm 0.005</math>          TWO PLACE DECIMAL (mm) <math>\pm 0.12</math></small>	DRAWN	CGS	1/12/18	
	CHECKED	HRC	1/12/18	
	ENG APPR.	HRC	10/10/18	
	MFG APPR.	BDB	10/10/18	
PRODUCTION	LS	10/10/18	COMMENTS:	<b>PART NO: 60PSV-PE3-06BLK</b> <b>DESCRIPTION:</b> LinkTech 60PS Series Panel Mt. Male, Valved 3/8" HB, Molded Black Color, Polysulfone
<small>THE INFORMATION CONTAINED IN THIS DRAWING IS THE SOLE PROPERTY OF LINKTECH LLC. ANY REPRODUCTION OR DISCLOSURE IN PART OR AS A WHOLE WITHOUT THE WRITTEN PERMISSION OF LINKTECH LLC IS STRICTLY PROHIBITED.</small>		SIZE <b>C</b> DWG. NO. <b>60PS600146</b>	REV <b>A</b>	SCALE: NTS WEIGHT: SHEET 1 OF 1