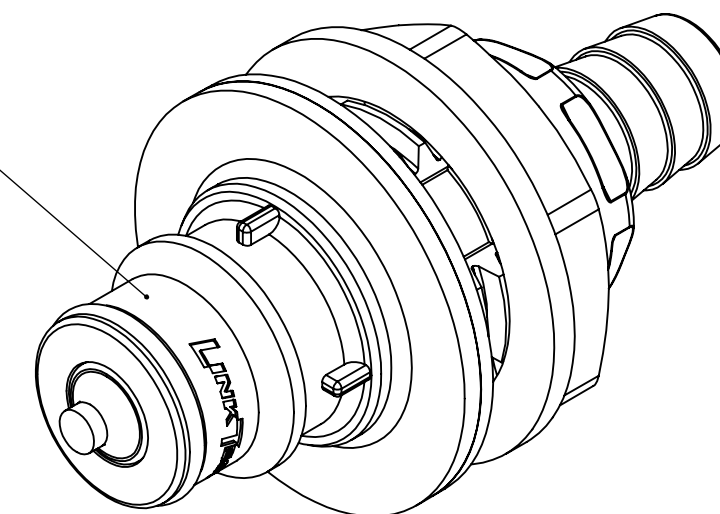
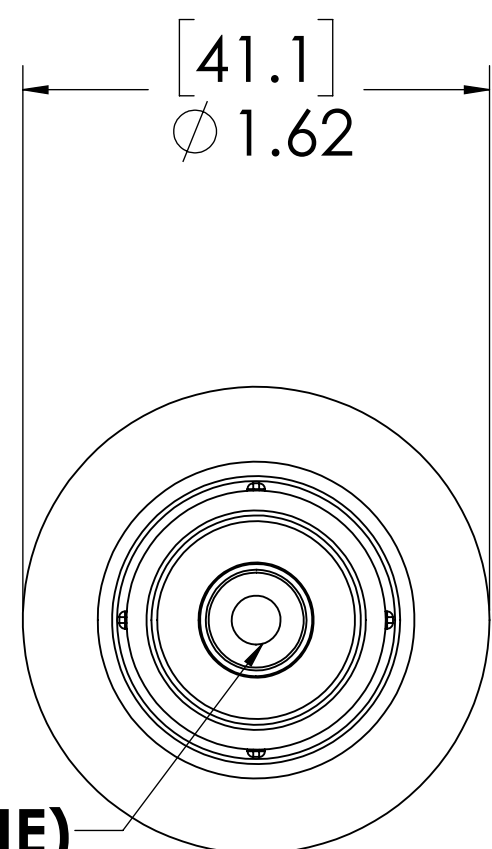


| REVISIONS | | | | | | |
|-----------|------|------|-------|-----------------|----------|----------|
| SHEET | ZONE | REV. | ECO | DESCRIPTION | DATE | APPROVED |
| 1 | ALL | A | 50257 | INITIAL RELEASE | 7/9/2018 | HRC |

**PLUG,
(POLYSULFONE)**



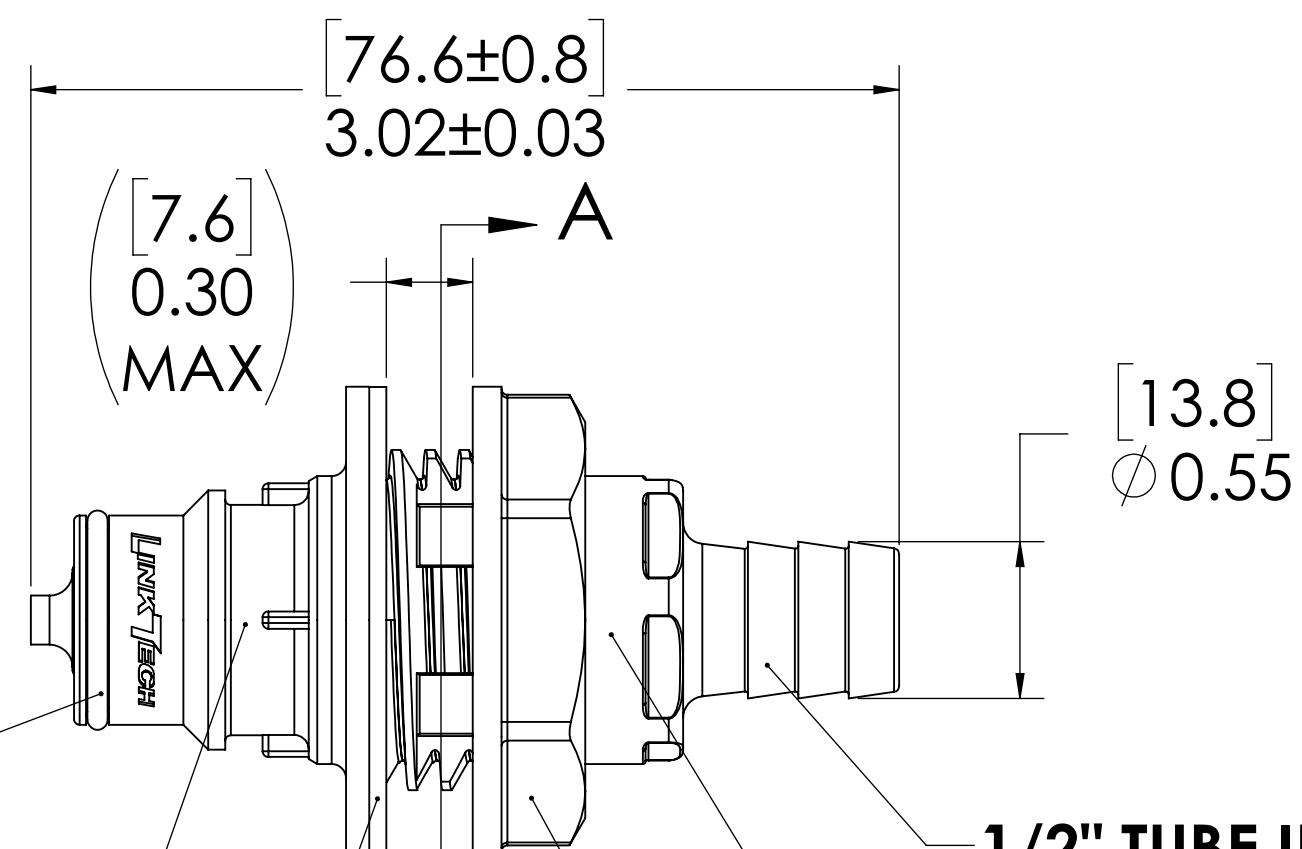
**VALVE,
(POLYSULFONE)**



**O-RING,
(EPDM)**

**VALVE O-RING,
INTERNAL
(EPDM)**

**GASKET,
(EPDM)**

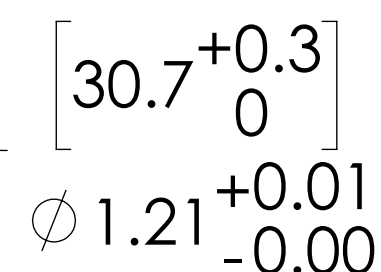


1/2" TUBE ID

**VALVE SPRING,
INTERNAL
(STAINLESS STEEL)**

**PANEL NUT,
(POLYSULFONE)**

**PANEL OPENING
(SECTION A-A)**



NOTES:

- MATERIAL: POLYSULFONE
- COLOR: BLACK
- O-RING MATERIAL: EPDM
- O-RINGS LUBRICATED WITH FOOD GRADE SILICONE OIL, 350 CST.

FOR REFERENCE ONLY

| | | | | |
|---|-----------|---------|--------------|---|
| <small>UNLESS OTHERWISE SPECIFIED: DIMENSIONS ARE IN INCHES TOLERANCES: FRACTIONAL ± 1/32 ANGULAR: MACH ± 0.5 BEND ± 2 ONE PLACE DECIMAL ± 0.1 TWO PLACE DECIMAL ± 0.01 THREE PLACE DECIMAL ± 0.005 TWO PLACE DECIMAL (mm) [± 0.12]</small> | DRAWN | C.DAVIS | 7/14/15 | |
| | CHECKED | HRC | 7/14/15 | |
| | ENG APPR. | HRC | 7/9/18 | |
| | MFG APPR. | BDB | 7/9/18 | |
| PRODUCTION | LS | 7/9/18 | | PART NO: 60PSV-PE3-08BLK DESCRIPTION: LinkTech 60PS Series Panel Mt. Male, Valved 1/2" HB, Molded Black Color, Polysulfone |
| <small>PROPRIETARY AND CONFIDENTIAL THE INFORMATION CONTAINED IN THIS DRAWING IS THE SOLE PROPERTY OF LINKTECH LLC. ANY REPRODUCTION OR DISCLOSURE IN PART OR AS A WHOLE WITHOUT THE WRITTEN PERMISSION OF LINKTECH LLC IS STRICTLY PROHIBITED.</small> | COMMENTS: | | | SIZE DWG. NO. REV C 60PS600116 A |
| SCALE: NTS | | WEIGHT: | SHEET 1 OF 1 | |