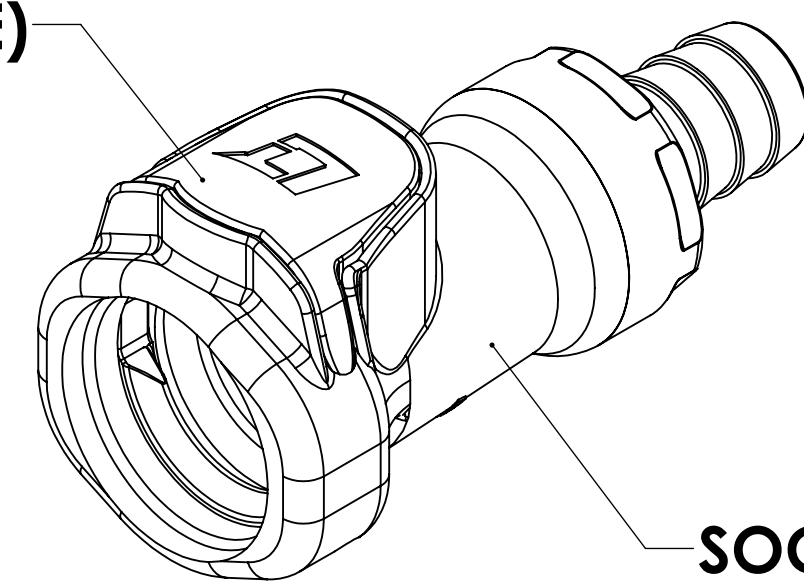


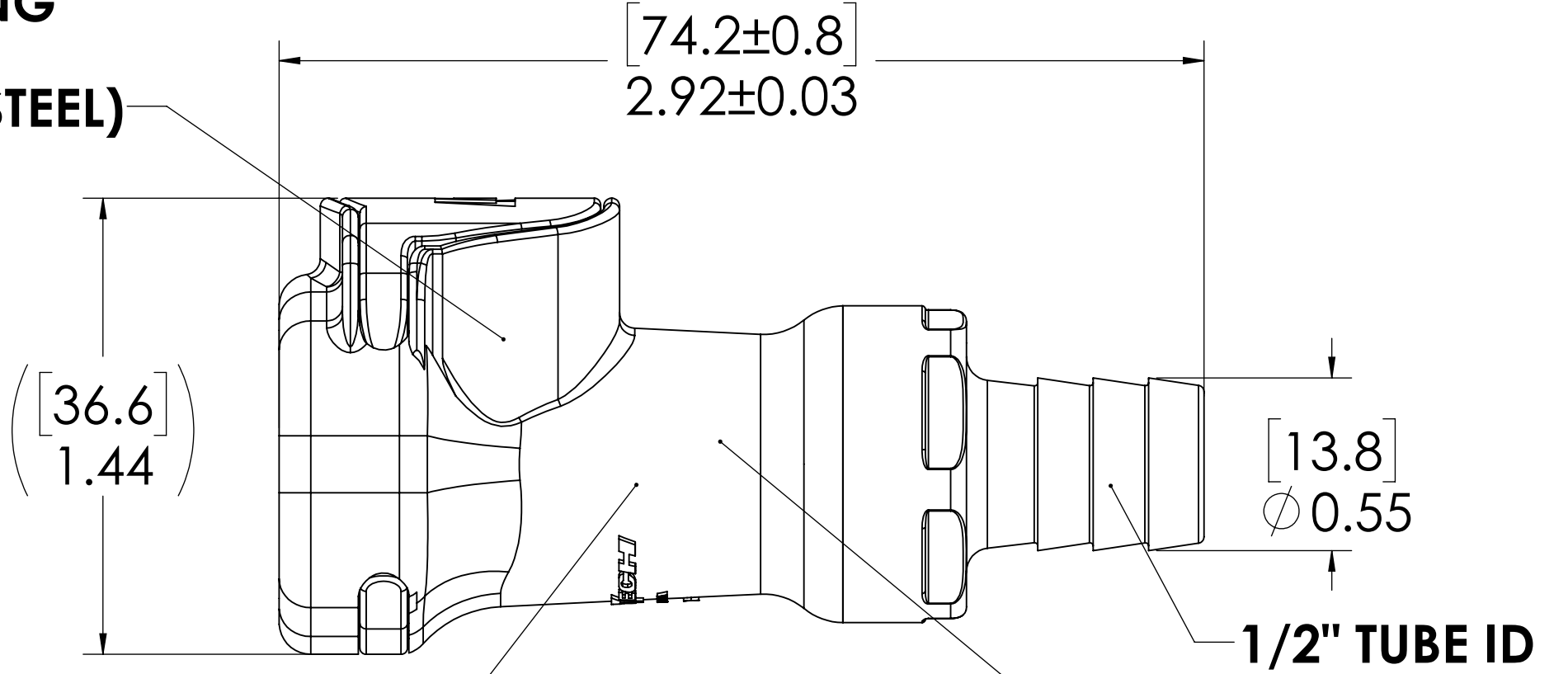
REVISIONS						
SHEET	ZONE	REV.	ECO	DESCRIPTION	DATE	APPROVED
1	D-6	A	UPDATED LATCH SPRING	8/20/2014	HRC
1	ALL	A	50108	INITIAL RELEASE	9/9/2014	HRC
1	ALL	B	50311	UPDATE DWG TO CURRENT FORMAT & STANDARDS	1/17/2020	CKE

**LATCH
(POLYSULFONE)**



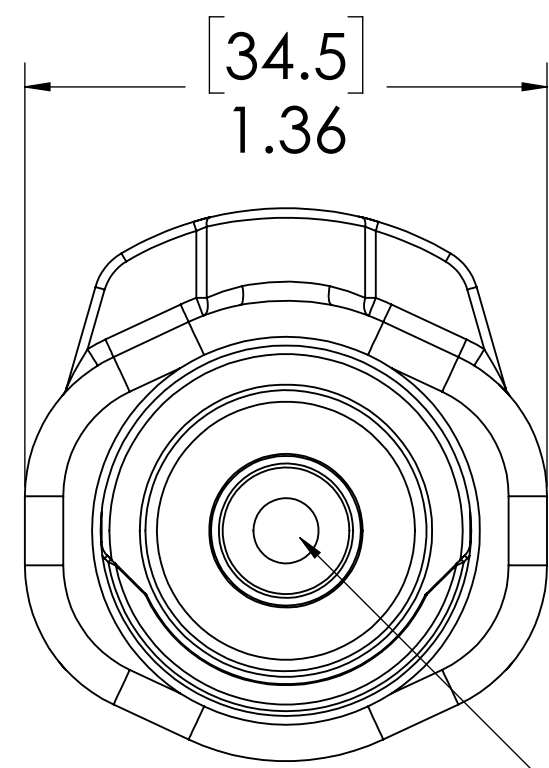
**SOCKET
(POLYSULFONE)**

**LATCH SPRING
INTERNAL
(STAINLESS STEEL)**



**VALVE O-RING,
INTERNAL
(EPDM)**


**VALVE SPRING,
INTERNAL
(STAINLESS STEEL)**



**VALVE,
(POLYSULFONE)**

- NOTES:**
1. MATERIAL: POLYSULFONE
 2. COLOR: WHITE
 3. O-RING MATERIAL: PEROXIDE CURED EPDM
 4. O-RINGS LUBRICATED WITH FOOD GRADE SILICONE OIL, 350 CST.

FOR REFERENCE ONLY

<small>UNLESS OTHERWISE SPECIFIED: DIMENSIONS ARE IN INCHES TOLERANCES: FRACTIONAL ±1/32 ANGULAR: MACH ±0.5 BEND ±2 ONE PLACE DECIMAL ±0.1 TWO PLACE DECIMAL ±0.01 THREE PLACE DECIMAL ±0.005 TWO PLACE DUAL (mm) [±0.12]</small>	DRAWN	HRC	09-04-13	 PART NO: 60PSV-SE2-08 DESCRIPTION: LinkTech 60PS Series, Inline Socket, Valved, 1/2" HB						
	CHECKED	HRC	09-04-13							
	ENG APPR.	HRC	1/17/20							
	MFG APPR.	BDB	1/17/20							
PRODUCTION	LS	1/17/20								
<small>PROPRIETARY AND CONFIDENTIAL THE INFORMATION CONTAINED IN THIS DRAWING IS THE SOLE PROPERTY OF LINKTECH LLC. ANY REPRODUCTION OR DISCLOSURE IN PART OR AS A WHOLE WITHOUT THE WRITTEN PERMISSION OF LINKTECH LLC IS STRICTLY PROHIBITED.</small>				<table border="1"> <tr> <td>SIZE</td> <td>DWG. NO.</td> <td>REV</td> </tr> <tr> <td>C</td> <td>60PS600076</td> <td>B</td> </tr> </table>	SIZE	DWG. NO.	REV	C	60PS600076	B
SIZE	DWG. NO.	REV								
C	60PS600076	B								
SCALE: NTS WEIGHT:			SHEET 1 OF 1							