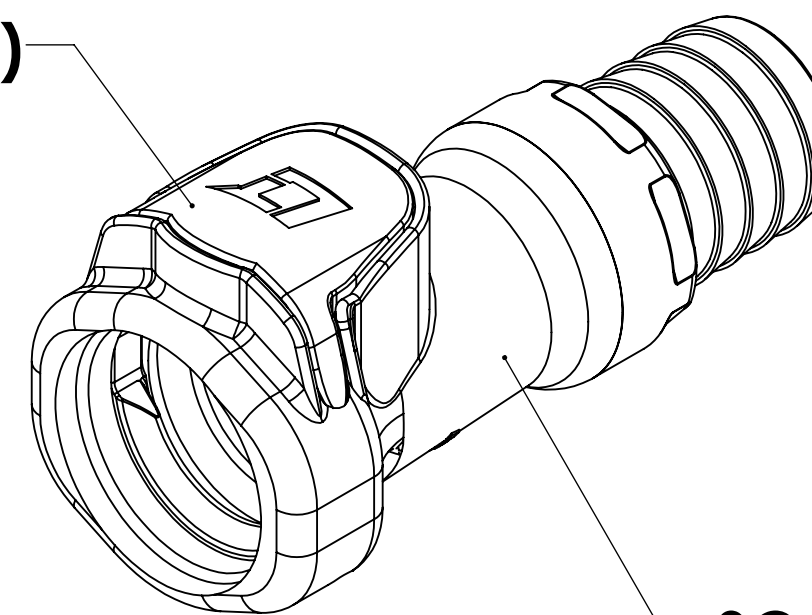
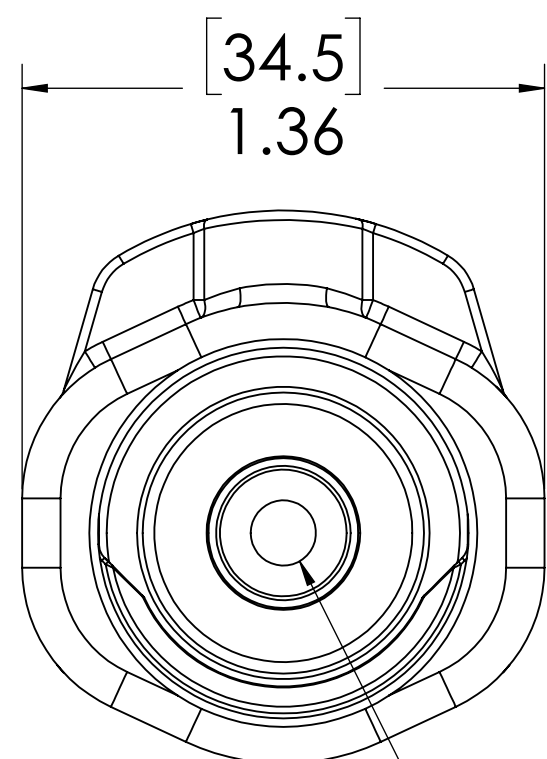


REVISIONS						
SHEET	ZONE	REV.	ECO	DESCRIPTION	DATE	APPROVED
1	D-7	A	UPDATED LATCH SPRING	8/20/2014	HRC
1	A-8	A	ADDED O-RING LUBRICATION NOTE	8/20/2014	HRC
1	ALL	A	50108	INITIAL RELEASE	9/9/2014	HRC
1	ALL	B	50253	UPDATE DWG TO CURRENT FORMAT & STANDARDS	10/16/2018	HRC

**LATCH
(POLYSULFONE)**

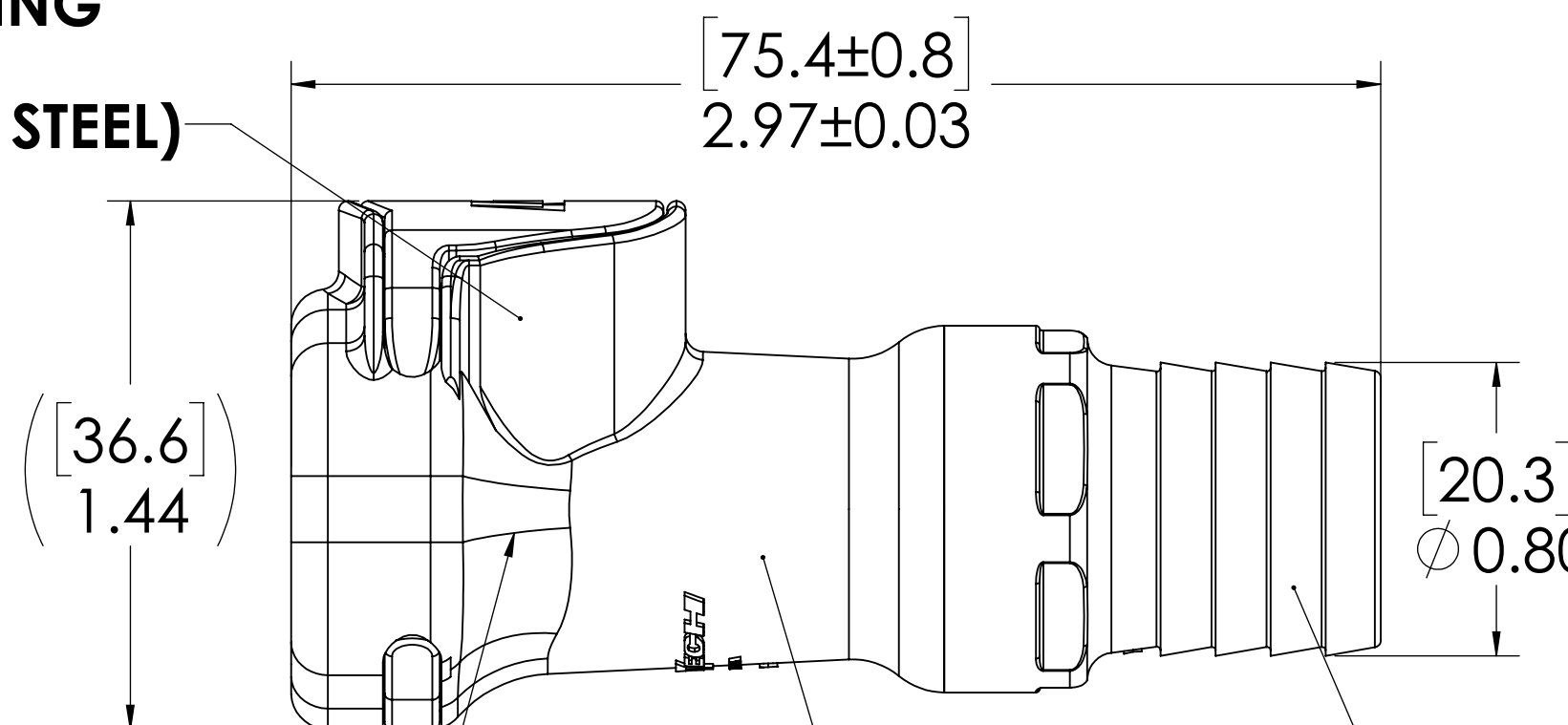


**SOCKET
(POLYSULFONE)**



**VALVE
(POLYSULFONE)**

**LATCH SPRING
INTERNAL
(STAINLESS STEEL)**



**VALVE O-RING
INTERNAL
(EPDM)**


**VALVE SPRING
INTERNAL
(STAINLESS STEEL)**

3/4" TUBE ID

NOTES:

1. MATERIAL: POLYSULFONE
2. COLOR: WHITE
3. O-RING MATERIAL: EPDM
4. O-RINGS LUBRICATED WITH FOOD GRADE SILICONE OIL, 350 CST.

FOR REFERENCE ONLY

<small>UNLESS OTHERWISE SPECIFIED: DIMENSIONS ARE IN INCHES TOLERANCES: FRACTIONAL ±1/32 ANGULAR, MACH: ±0.5 BEND ±2 ONE PLACE DECIMAL ±0.1 TWO PLACE DECIMAL ±0.01 THREE PLACE DECIMAL ±0.005 TWO PLACE DUAL (mm) [±0.12]</small>	DRAWN	LMP	7/3/2018	 PART NO: 60PSV-SE2-12 DESCRIPTION: LinkTech 60PS Series, Inline Socket, Valved, 3/4" HB						
	CHECKED	HRC	7/3/2018							
	ENG APPR.	HRC	10/10/18							
	MFG APPR.	BDB	10/10/18							
PRODUCTION	LS	10/10/18	COMMENTS:	<table border="1"> <tr> <td>SIZE</td> <td>DWG. NO.</td> <td>REV</td> </tr> <tr> <td>C</td> <td>60PS600077</td> <td>B</td> </tr> </table>	SIZE	DWG. NO.	REV	C	60PS600077	B
SIZE	DWG. NO.	REV								
C	60PS600077	B								
<small>PROPRIETARY AND CONFIDENTIAL THE INFORMATION CONTAINED IN THIS DRAWING IS THE SOLE PROPERTY OF LINKTECH LLC. ANY REPRODUCTION OR DISCLOSURE IN PART OR AS A WHOLE WITHOUT THE WRITTEN PERMISSION OF LINKTECH LLC IS STRICTLY PROHIBITED.</small>			SCALE: NTS	WEIGHT:	SHEET 1 OF 1					