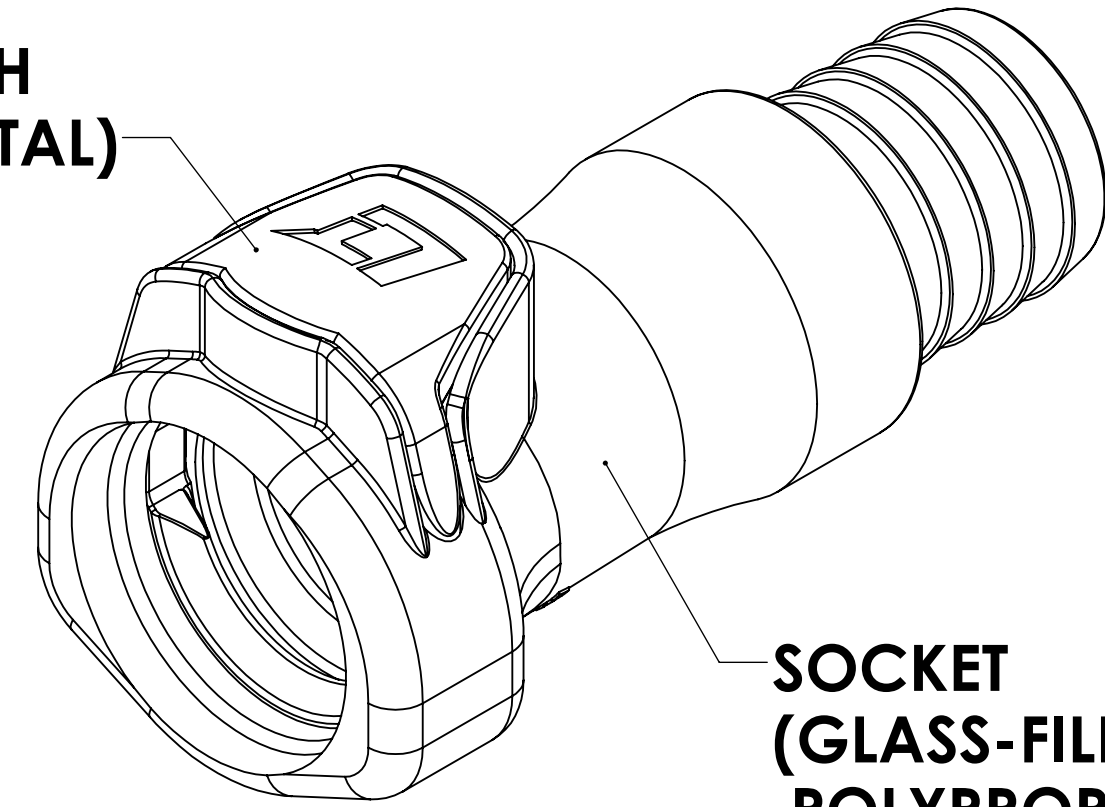
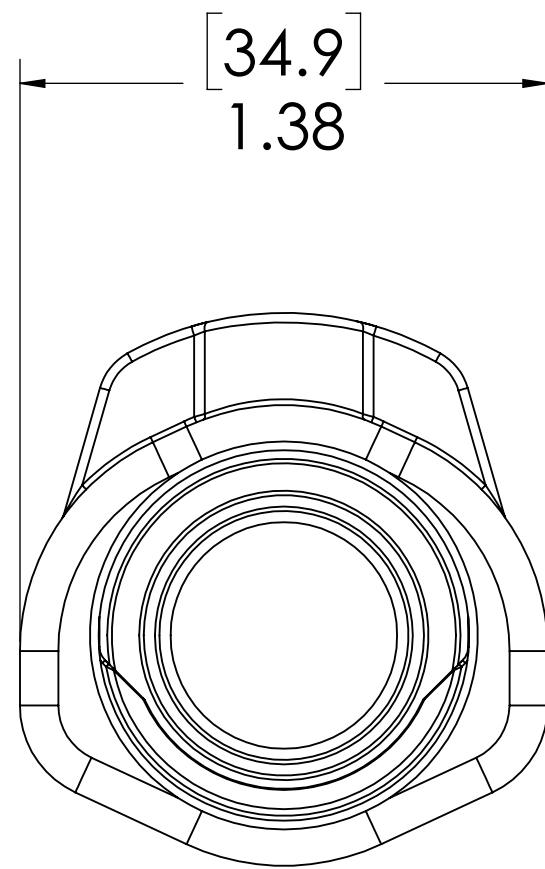


REVISIONS						
SHEET	ZONE	REV.	ECO	DESCRIPTION	DATE	APPROVED
1	ALL	A	50253	2017 FORMAT UPDATE	6/4/2018	HRC

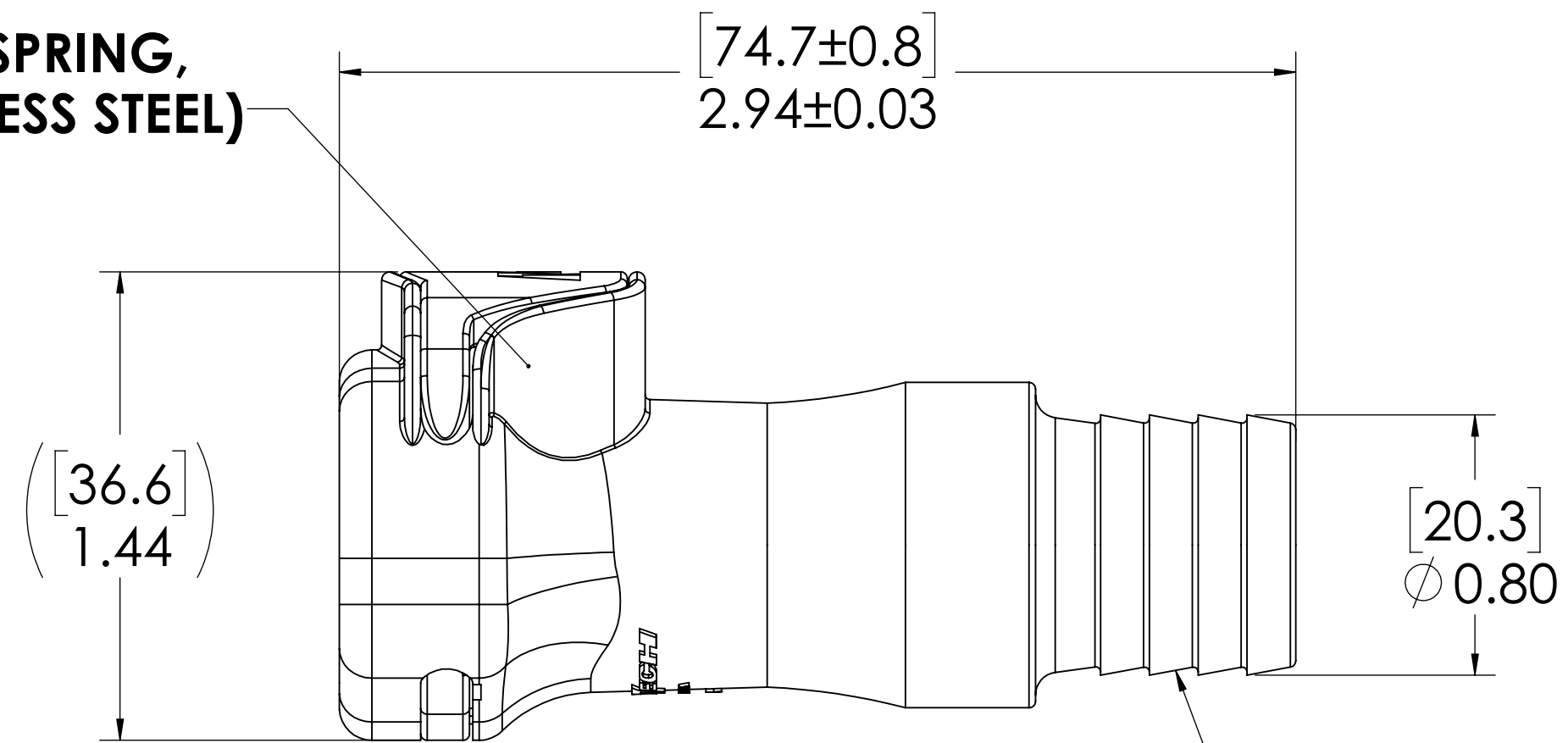
**LATCH  
(ACETAL)**



**SOCKET  
(GLASS-FILLED  
POLYPROPYLENE)**



**LATCH SPRING,  
(STAINLESS STEEL)**




**3/4" TUBE ID**

**NOTES:**

- MATERIAL: GLASS-FILLED POLYPROPYLENE
- COLOR: WHITE

**FOR REFERENCE ONLY**

UNLESS OTHERWISE SPECIFIED: DIMENSIONS ARE IN INCHES TOLERANCES: FRACTIONAL ± 1/32 ANGULAR: MACH ± 0.5 BEND ± 2 ONE PLACE DECIMAL ± 0.1 TWO PLACE DECIMAL ± 0.01 THREE PLACE DECIMAL ± 0.005 TWO PLACE DUAL (mm) [±0.12]	DRAWN	LMP	5/2/2018	 <b>LinkTech</b> <small>LINKTECH ENGINEERING INC. - HUNTSVILLE, AL</small>	
	CHECKED	HRC	6/4/2018		
<b>PROPRIETARY AND CONFIDENTIAL</b>  THE INFORMATION CONTAINED IN THIS DRAWING IS THE SOLE PROPERTY OF LINKTECH LLC. ANY REPRODUCTION OR DISCLOSURE IN PART OR AS A WHOLE WITHOUT THE WRITTEN PERMISSION OF LINKTECH LLC IS STRICTLY PROHIBITED.	ENG APPR.	HRC	6/4/2018	PART NO: <b>65GP-S2-12</b>  DESCRIPTION: <b>LinkTech 65GP Series Inline Socket, Non-Valved, 3/4" HB, Glass-Filled Polypropylene</b>	
	MFG APPR.	BDB	6/4/2018		
	Q.A.	JJB	6/4/2018	SIZE DWG. NO. REV <b>C 65GP600022 A</b>	
COMMENTS:			SCALE: NTS	WEIGHT:	SHEET 1 OF 1