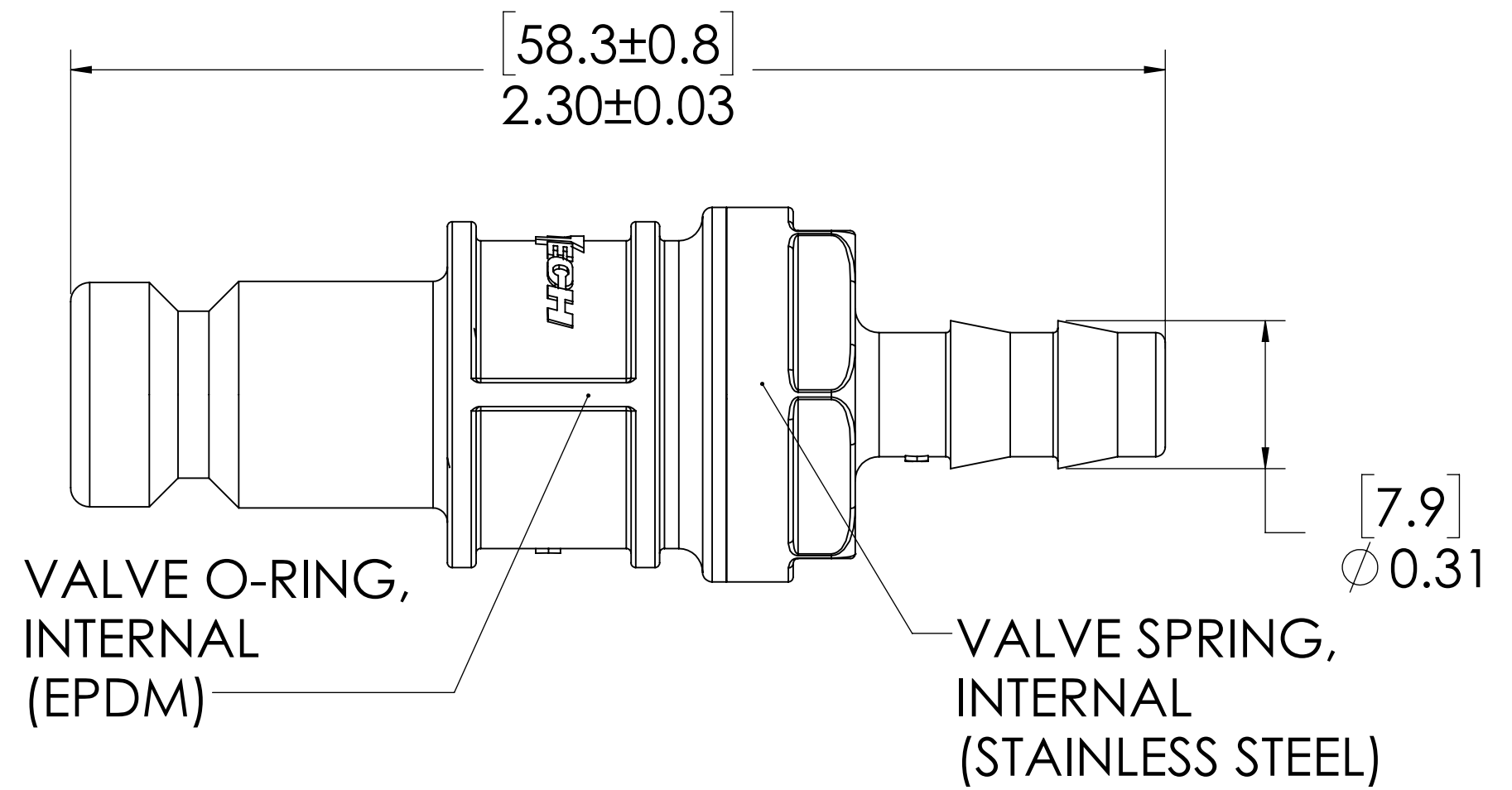
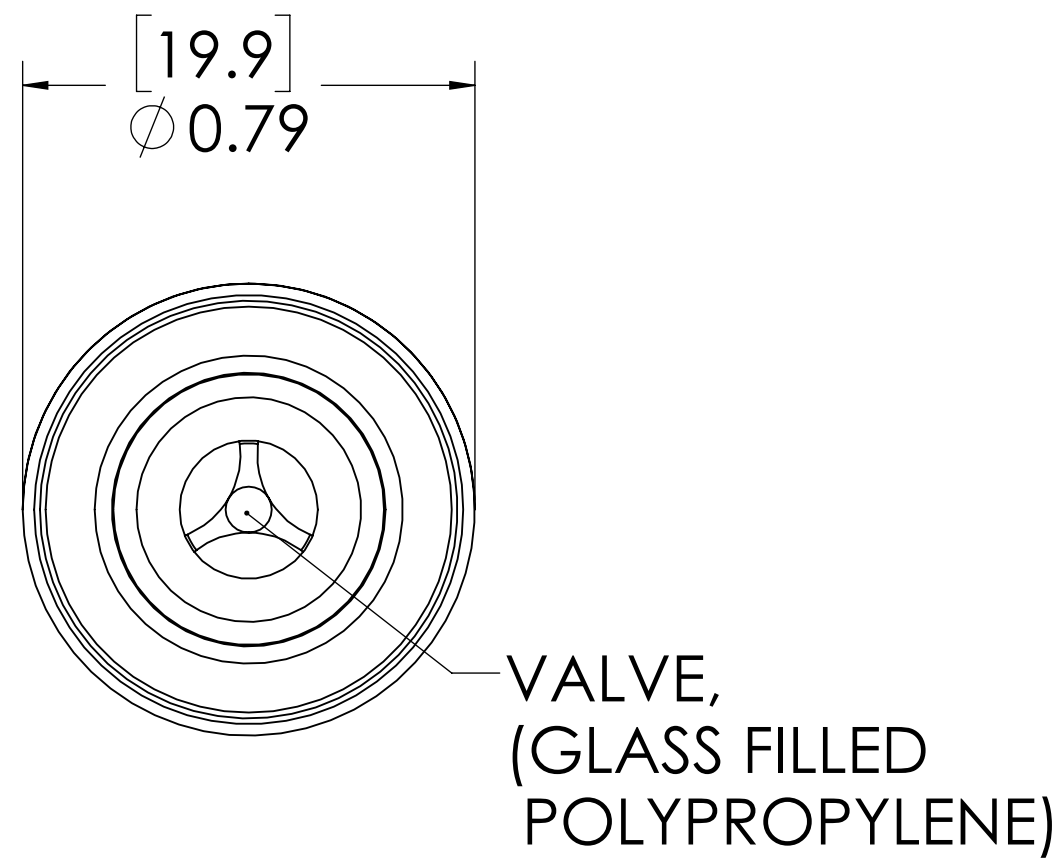
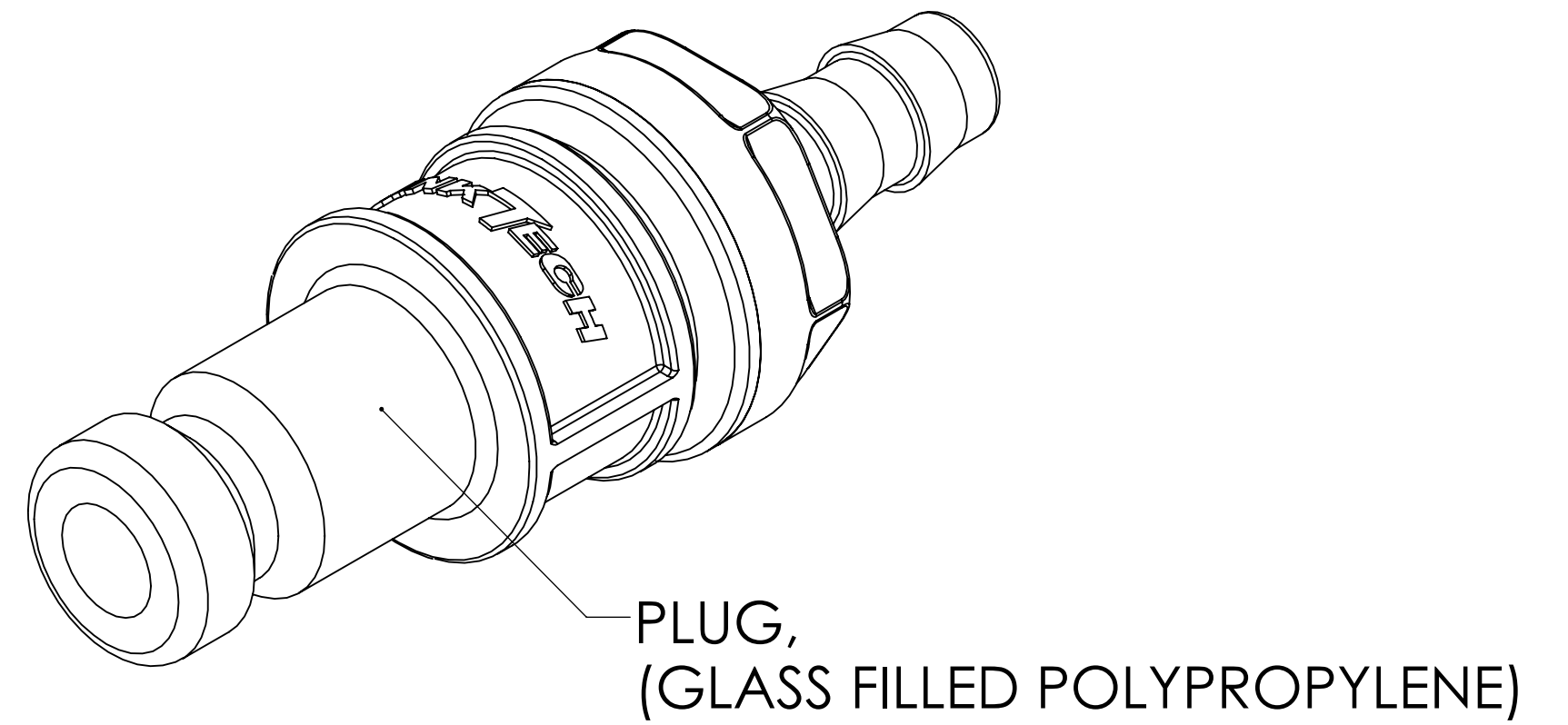


REVISIONS						
SHEET	ZONE	REV.	ECO	DESCRIPTION	DATE	APPROVED
1	ALL	A	50280	RELEASE FOR PRODUCTION	07/23/2018	HRC



NOTES:

1. MATERIAL: GLASS FILLED POLYPROPYLENE.
2. COLOR: GREY
3. O-RING MATERIAL: PEROXIDE CURED EPDM.
4. O-RINGS LUBRICATED WITH FOOD GRADE SILICONE, 350cST, SILICONE OIL.
5. PLUG INTERCONNECTS WITH WALTHER-PRÄZISION KL-006 FLOW CONNECTORS.

FOR REFERENCE ONLY

<small>UNLESS OTHERWISE SPECIFIED: DIMENSIONS ARE IN INCHES TOLERANCES: FRACTIONAL ± 1/32 ANGULAR: MACH ± 0.5 BEND ± 2 ONE PLACE DECIMAL ± 0.1 TWO PLACE DECIMAL ± 0.01 THREE PLACE DECIMAL ± 0.005 TWO PLACE DUAL (mm) [± 0.12]</small>	DRAWN	NAME	DATE	
	CHECKED	CKE	6/5/2018	
	ENG APPR.	HRC	07/23/18	
	MFG APPR.	BDB	07/23/18	
PRODUCTION	LAS	07/23/18		PART NO: 70GPV-PE2-04 DESCRIPTION: 70GP SERIES STRAIGHT MALE, VALVED, 1/4" HB, GLASS FILLED POLYPROPYLENE
<small>PROPRIETARY AND CONFIDENTIAL THE INFORMATION CONTAINED IN THIS DRAWING IS THE SOLE PROPERTY OF LINKTECH LLC. ANY REPRODUCTION OR DISCLOSURE IN PART OR AS A WHOLE WITHOUT THE WRITTEN PERMISSION OF LINKTECH LLC IS STRICTLY PROHIBITED.</small>	COMMENTS:		SIZE DWG. NO. REV C 70GP700020 A	SCALE: NTS WEIGHT: SHEET 1 OF 1