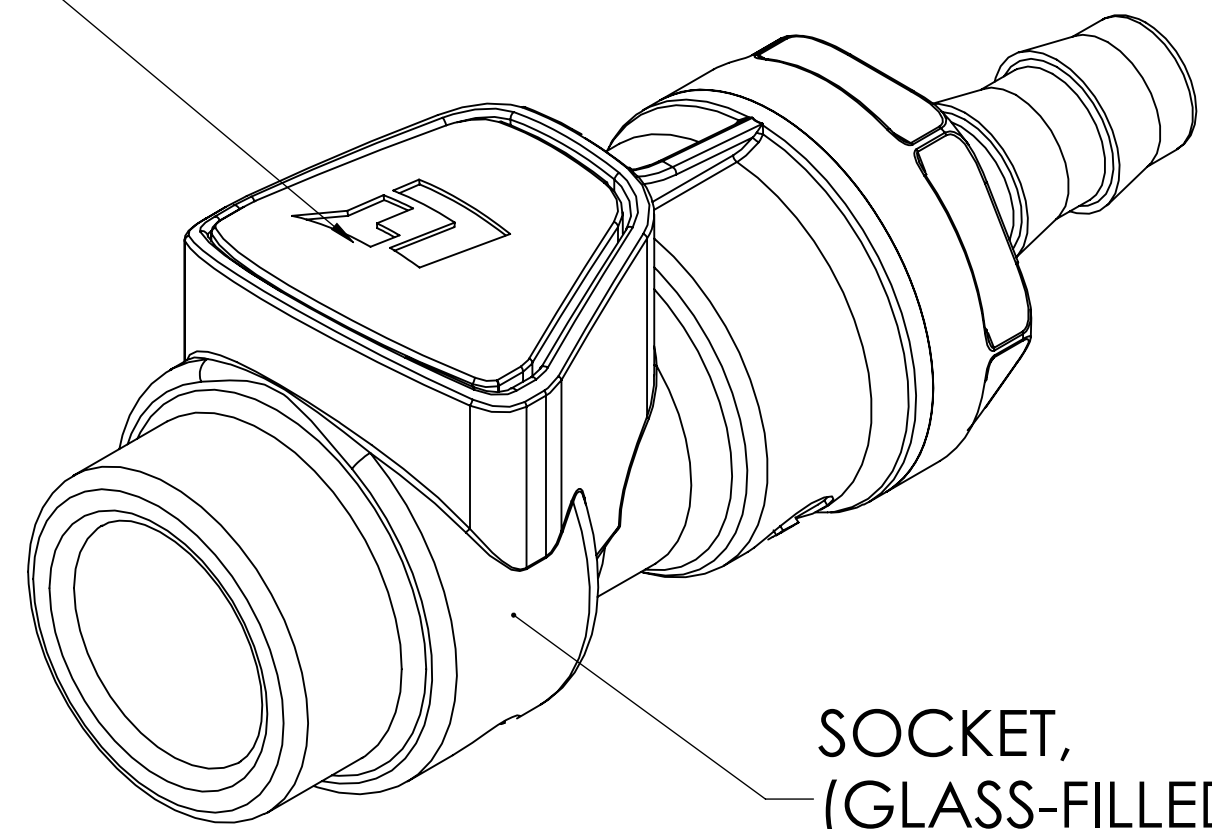
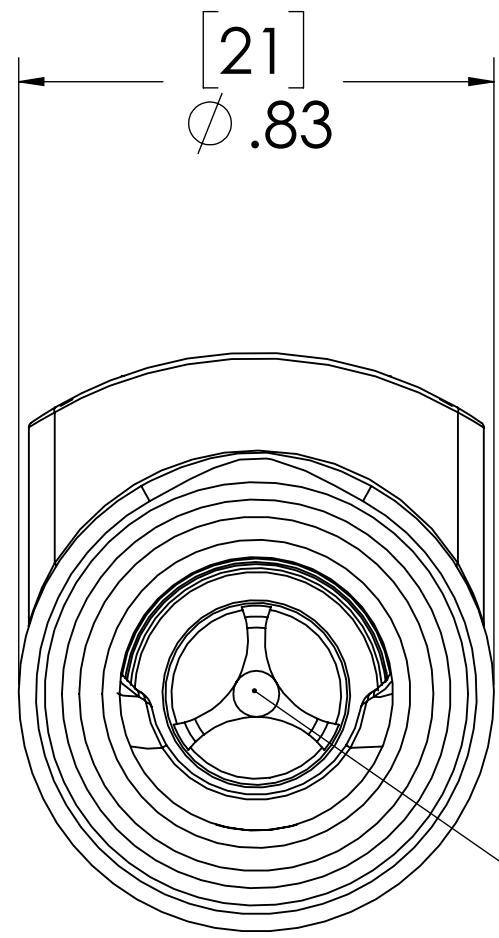


REVISIONS						
SHEET	ZONE	REV.	ECO	DESCRIPTION	DATE	APPROVED
1	ALL	A	50280	RELEASE FOR PRODUCTION	07/23/2018	HRC

LATCH,
(GLASS-FILLED
POLYPROPYLENE)



SOCKET,
(GLASS-FILLED
POLYPROPYLENE)



VALVE,
(GLASS-FILLED
POLYPROPYLENE)

LATCH SPRING,
INTERNAL
(STAINLESS STEEL)



GROMMET,
INTERNAL
(EPDM)

VALVE SPRING,
INTERNAL
(STAINLESS STEEL)

1/4" TUBE ID

- NOTES:**
- MATERIAL: GLASS FILLED POLYPROPYLENE.
 - COLOR: GREY
 - GROMMET MATERIAL: PEROXIDE CURED EPDM.
 - GROMMET LUBRICATED WITH FOOD GRADE SILICONE, 350cST, SILICONE OIL.
 - SOCKET INTERCONNECTS WITH WALTHER-PRÄZISION KL-006 FLOW CONNECTORS.

FOR REFERENCE ONLY

<small>UNLESS OTHERWISE SPECIFIED: DIMENSIONS ARE IN INCHES TOLERANCES: FRACTIONAL ±1/32 ANGULAR: MACH ±0.5 BEND ±2 ONE PLACE DECIMAL ±0.1 TWO PLACE DECIMAL ±0.01 THREE PLACE DECIMAL ±0.005 TWO PLACE DUAL (mm) [±0.12]</small>	DRAWN	CKE	6/5/2018	
	CHECKED	CKE	6/5/2018	
	ENG APPR.	HRC	07/23/18	
	MFG APPR.	BDB	07/23/18	
PRODUCTION	LAS	07/23/18		
<small>PROPRIETARY AND CONFIDENTIAL THE INFORMATION CONTAINED IN THIS DRAWING IS THE SOLE PROPERTY OF LINKTECH LLC. ANY REPRODUCTION OR DISCLOSURE IN PART OR AS A WHOLE WITHOUT THE WRITTEN PERMISSION OF LINKTECH LLC IS STRICTLY PROHIBITED.</small>				<small>COMMENTS:</small>
<small>DESCRIPTION: 70GP SERIES STRAIGHT FEMALE, VALVED, 1/4" HB, GLASS FILLED POLYPROPYLENE</small>				<small>PART NO: 70GPV-SE2-04</small>
<small>SIZE DWG. NO.</small>		<small>REV</small>		
C 70GP700022		A		
<small>SCALE: NTS WEIGHT:</small>		<small>SHEET 1 OF 1</small>		