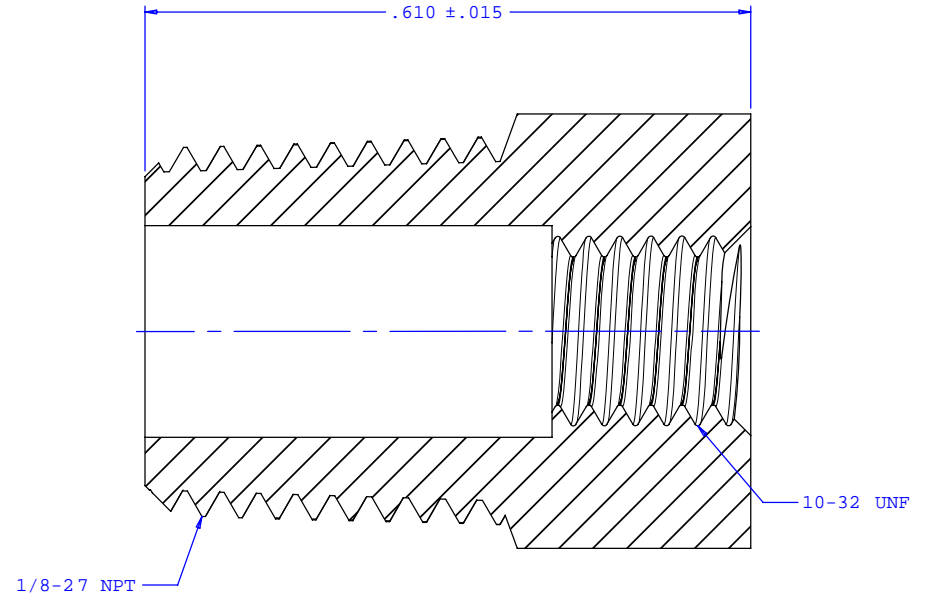
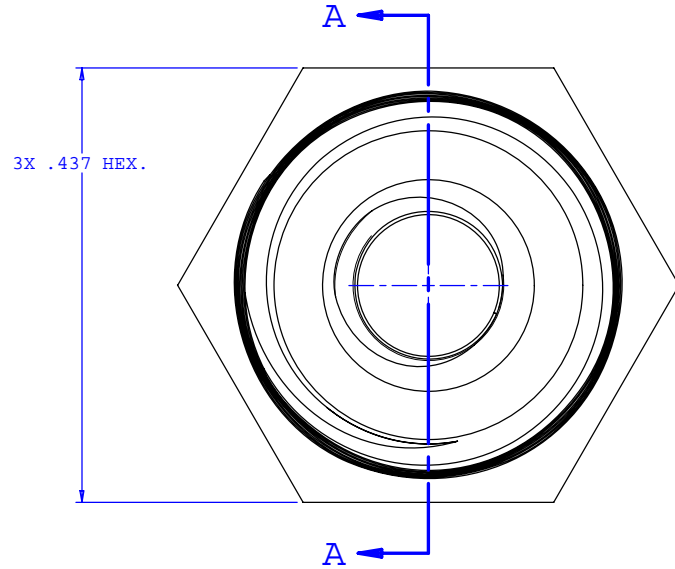
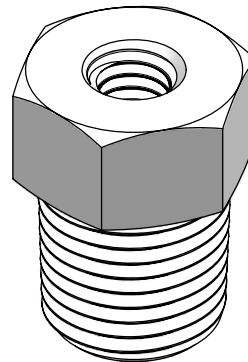


NOTE: FOR MORE DETAILS SEE YOUR V.P.CUSTOMER SERVICE REP.

REVISIONS			
REV.	DESCRIPTION	DATE	APPROVED
A	INITIAL RELEASE	08-05-98	
B	ECO 038	01-17-06	Rick C.



SECTION A-A



UNLESS OTHERWISE SPECIFIED DIMENSIONS ARE IN INCHES TOLERANCES ARE:		<b>VALUE PLASTICS, INC.</b>	
FRACTIONS ±	DECIMALS .XX ±.01 .XXX ±.005 .XXXX ±.001	ANGULAR ±1°	PART NUMBER: 1801
DO NOT SCALE DRAWING		DESCRIPTION: Reducer with 1/8-27 NPT Male Thread and 7/16" Hex to 10-32 UNF Female Thread	
DRAWN BY: Frank Lombardi	DATE: 12-05-05	SIZE: B	SCALE: NTS
Engineer/Manager: Rick Cairns		DRAWING NUMBER: 1007954	REV. B
© 2005 VALUE PLASTICS, INC.			SHEET: 1 OF 1

**FOR REFERENCE ONLY**