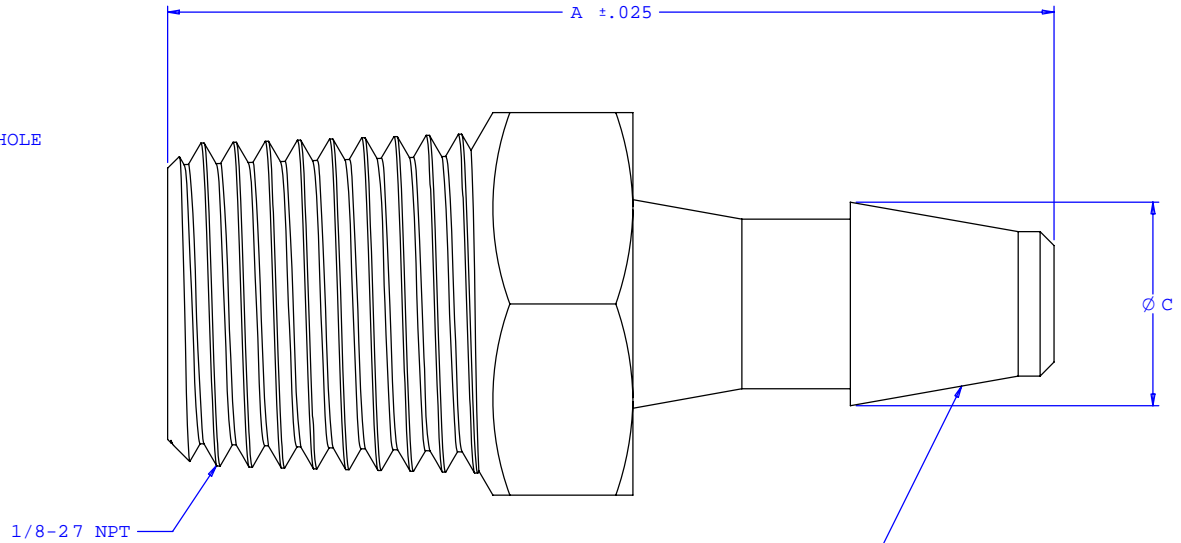
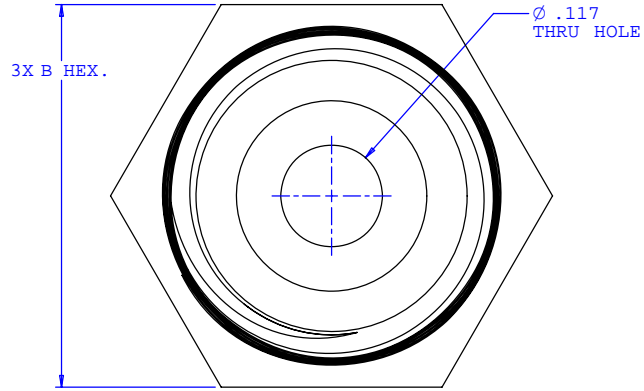
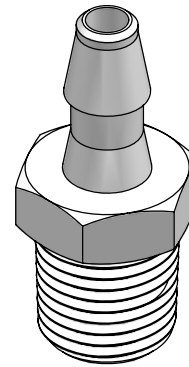


NOTE: FOR MORE DETAILS SEE YOUR V.P. CUSTOMER SERVICE REP.

REVISIONS			
REV.	DESCRIPTION	DATE	APPROVED
A	INITIAL RELEASE	09-02-98	
B	CO 046 Drafting Update	06-19-06	Rick C.



INSTRUMENT QUALITY PART. NO PARTING LINE PERMITTED ON THIS CONICAL SURFACE



Dimension	Material Specific Tolerances							
	Acetal	Nylon	PP	ABS	PC	PVC	Polysulfone	J1A
A	1.019	1.019	1.019	1.019	1.019	1.019	1.019	.997
B	.440	.435	.440	.440	.440	.440	.440	.430
C	.234	.234	.234	.234	.234	.234	.234	.229
D								
E								
F								

UNLESS OTHERWISE SPECIFIED DIMENSIONS ARE IN INCHES TOLERANCES ARE:			<b>VALUE PLASTICS, INC.</b>		
FRACTIONS ±	DECIMALS .XX ±.01 .XXX ±.005 .XXXX ±.001	ANGULAR ±1°	PART NUMBER: <b>18240</b>	DESCRIPTION: 1/8-27 NPT Thread with 7/16" Hex to 200 Series Barb, 5/32" (4 mm) ID Tubing	
DO NOT SCALE DRAWING			SIZE: B	SCALE: NTS	REV. B
DRAWN BY: Frank Lombardi		DATE: 04-21-06	DRAWING NUMBER: 1008657		
Engineer / Manager: Rick Cairns		© 2006 VALUE PLASTICS, INC.		SHEET: 1 OF 1	

**FOR REFERENCE ONLY**