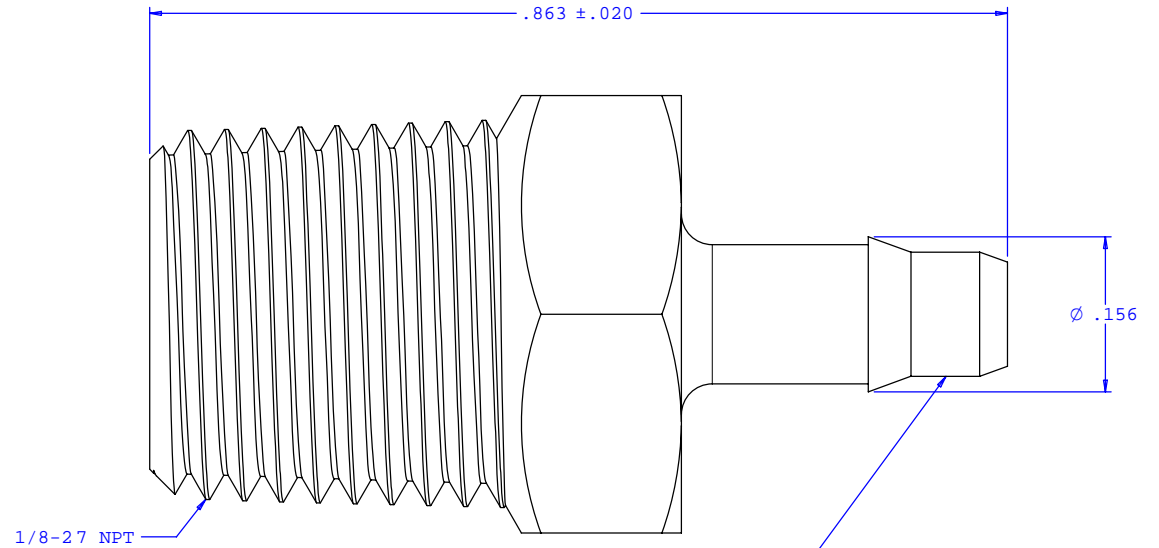
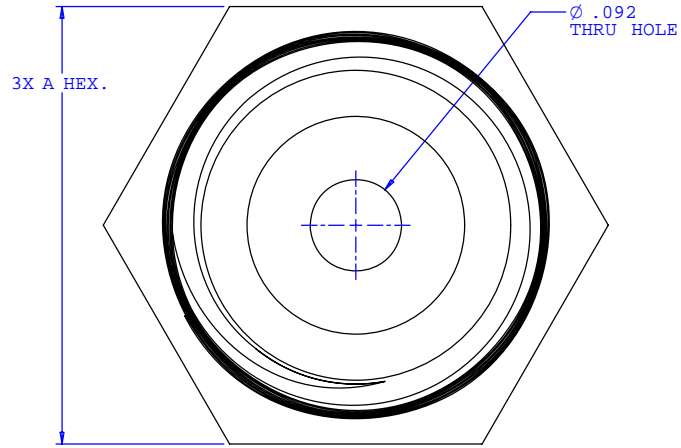
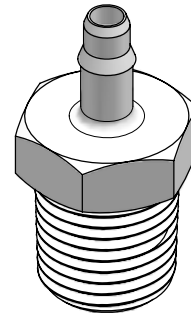


NOTE: FOR MORE DETAILS SEE YOUR V.P. CUSTOMER SERVICE REP.

| REVISIONS | | | |
|-----------|------------------------|----------|----------|
| REV. | DESCRIPTION | DATE | APPROVED |
| A | INITIAL RELEASE | 04-10-98 | |
| B | CO 046 Drafting Update | 06-19-06 | Rick C. |



INSTRUMENT QUALITY PART. NO PARTING LINE PERMITTED ON THIS CONICAL SURFACE



| Dimension | Material Specific Tolerances | | | | | | | |
|-----------|------------------------------|-------|------|------|------|------|-------------|------|
| | Acetal | Nylon | PP | ABS | PC | PVC | Polysulfone | J1A |
| A | .440 | .437 | .440 | .440 | .440 | .440 | .440 | .435 |
| B | | | | | | | | |
| C | | | | | | | | |
| D | | | | | | | | |
| E | | | | | | | | |
| F | | | | | | | | |

| | | | |
|---|---|---|--|
| UNLESS OTHERWISE SPECIFIED DIMENSIONS ARE IN INCHES TOLERANCES ARE: | | VALUE PLASTICS, INC. | |
| FRACTIONS ± | DECIMALS .XX ±.01 .XXX ±.005 .XXXX ±.001 | ANGULAR ±1° | PART NUMBER: 18430 |
| DO NOT SCALE DRAWING | | DESCRIPTION: 1/8-27 NPT Thread with 7/16" Hex to 400 Series Barb, 1/8" (3 mm) ID Tubing | |
| DRAWN BY: Frank Lombardi | DATE: 04-21-06 | SIZE: B SCALE: NTS | DRAWING NUMBER: 1008660 REV. B |
| Engineer Manager: Rick Cairns | | © 2006 VALUE PLASTICS, INC. SHEET: 1 OF 1 | |

FOR REFERENCE ONLY