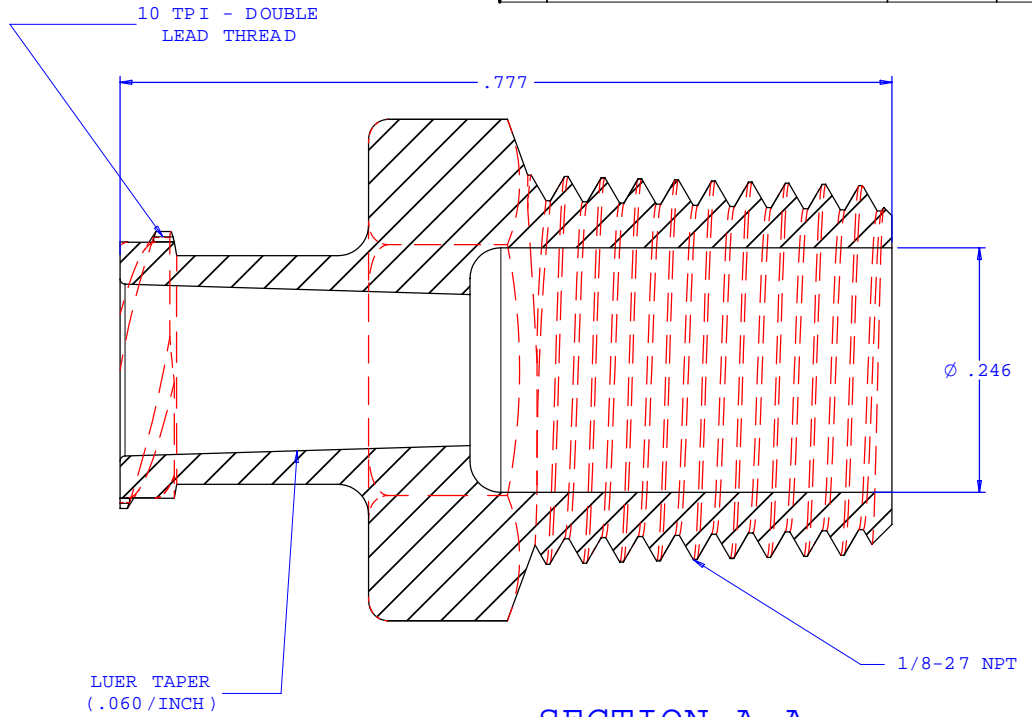
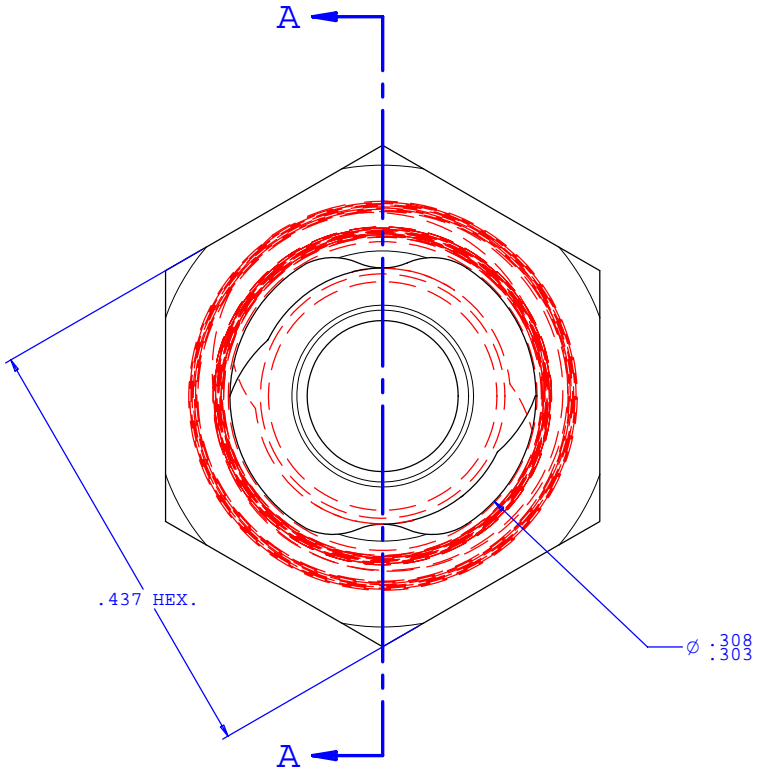


REVISIONS			
REV.	DESCRIPTION	DATE	APPROVED



UNLESS OTHERWISE SPECIFIED DIMENSIONS ARE IN INCHES TOLERANCES ARE:		VALUE PLASTICS, INC.	
FRACTIONS ±	DECIMALS .XX ±.01 .XXX ±.005 .XXXX ±.001	ANGULAR ±1°	PART NUMBER: 18FTLL
DO NOT SCALE DRAWING		DESCRIPTION: Female Luer Thread Style Connector with 7/16" Hex to 1/8-27 NPT Thread	
DRAWN BY: BOB BLIVEN	DATE: 09/10/03	SIZE: B	SCALE: NTS
CHECKED BY:	DATE:	DRAWING NUMBER:	REV. 0
© 2003 VALUE PLASTICS, INC.			SHEET: 1 OF 1

FOR REFERENCE ONLY