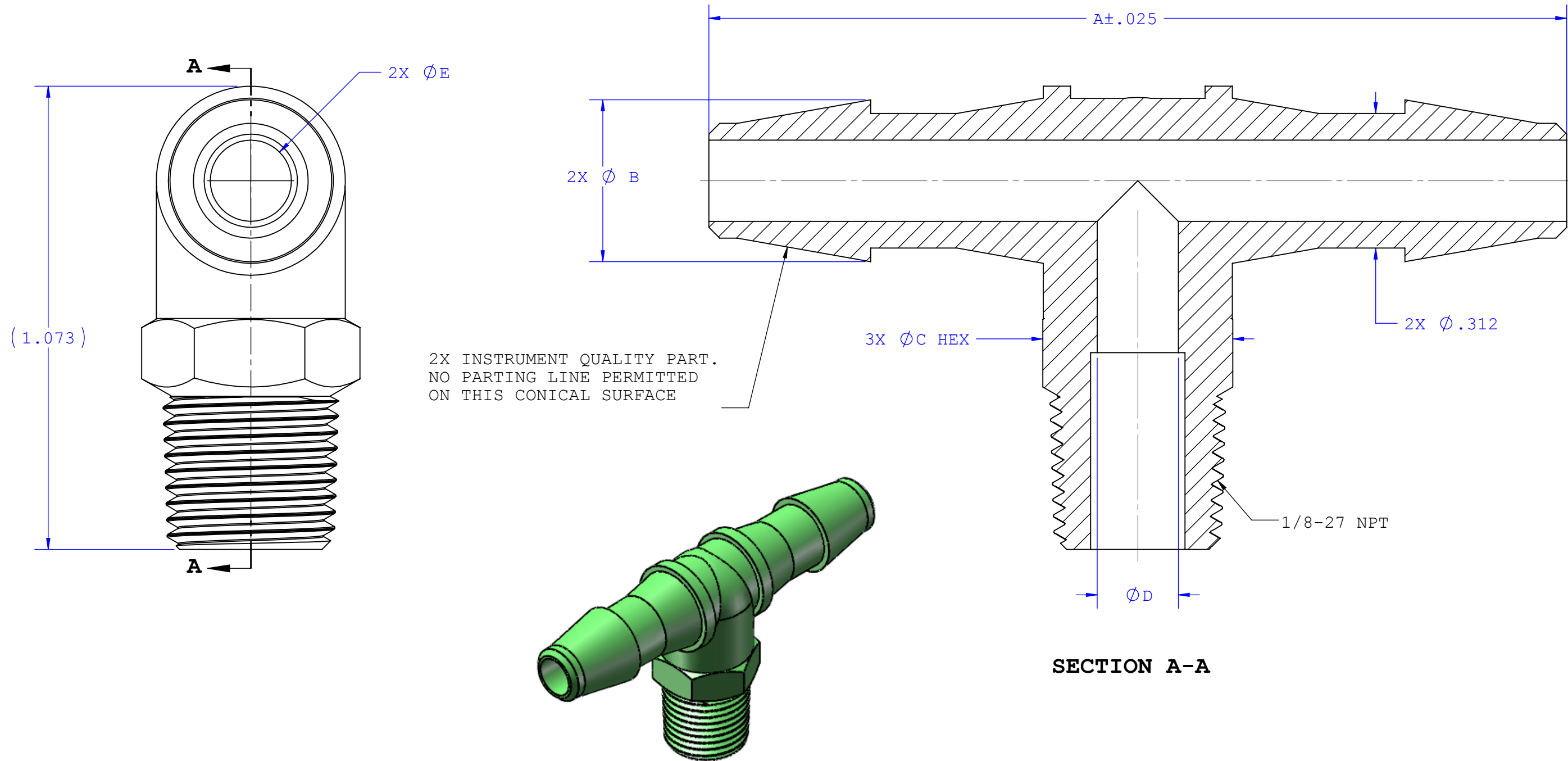


NOTES: FOR ADDITIONAL DETAILS, PLEASE CONTACT VP CUSTOMER SERVICE
 DIMENSIONS MARKED \square ARE CONTROL DIMENSIONS

REVISIONS			
REV.	DESCRIPTION	DATE	APPROVED
A	INITIAL RELEASE	07-01-98	
B	CO 046 Drafting Update	06-20-06	Rick C.
C	ECO 130-Changing Hex Dimension for PP	06-02-09	Rick C.



2X INSTRUMENT QUALITY PART.
 NO PARTING LINE PERMITTED
 ON THIS CONICAL SURFACE

SECTION A-A

Dimension	Material Specific Tolerances							
	Acetal	Nylon	PP	ABS	PC	PVC	Polysulfone	PVDF
A	1.988	1.988	1.988	1.988	1.988	1.988	1.988	1.964
B	.375	.375	.375	.375	.375	.375	.375	.369
C	.440	.440	.440	.440	.440	.440	.440	.435
D	.188	.176	.180	.188	.188	.188	.188	.184
E	.188	.176	.175	.188	.188	.188	.188	.174

UNLESS OTHERWISE SPECIFIED DIMENSIONS ARE IN INCHES TOLERANCES ARE:		VALUE PLASTICS, INC			
FRACTIONS DECIMAL ANGULAR ± .XX ±.01 ± 1° .XXX ±.005 .XXXX ±.001		PART NUMBER: 18T260			
DO NOT SCALE DRAWING		DESCRIPTION: 1/8-27 NPT Thread Tee with 7/16" Hex to 200 Series Barb, 1/4" (6.25mm) ID Tubing			
DRAWN BY: randy.sakurada	DATE: 6/2/2009	SIZE: B	SCALE: NTS	VER: 1008666	DWG. NO. 1008666
ENGINEERING MGR: Rick Cairns		© 2009 VALUE PLASTICS, INC			REV C
				SHEET: 1 OF 1	

FOR REFERENCE ONLY