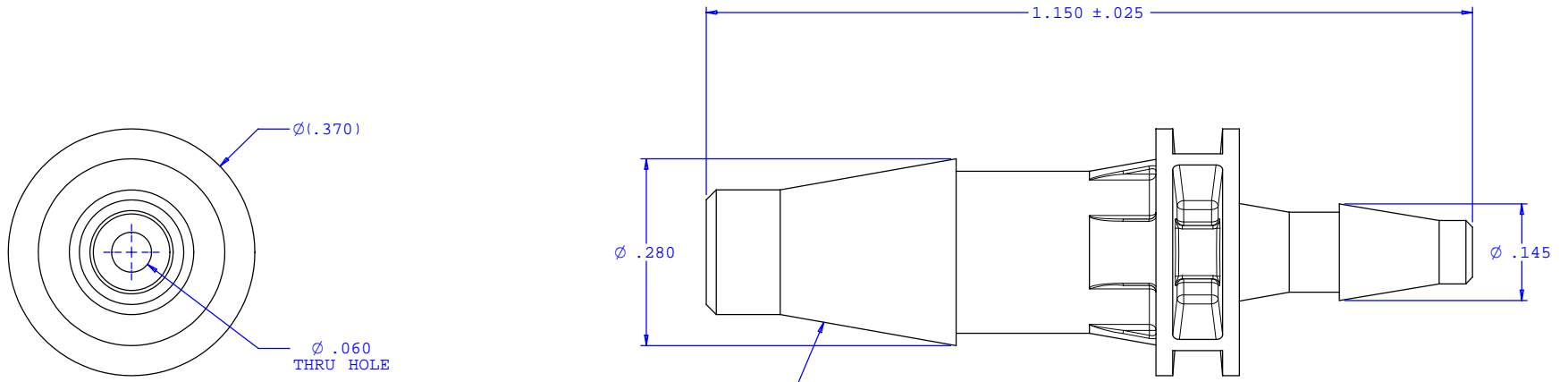
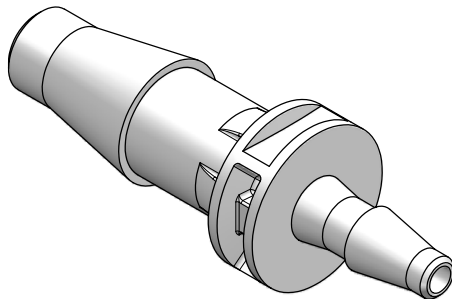


NOTE: FOR MORE DETAILS SEE YOUR V.P. CUSTOMER SERVICE REP.

REVISIONS			
REV.	DESCRIPTION	DATE	APPROVED
A	ECO #0036	03-30-01	
B	CO 018 Drafting Update	07-09-05	RICKC



2X INSTRUMENT QUALITY PART. PARTING LINE PERMITTED ON THIS CONICAL SURFACE



UNLESS OTHERWISE SPECIFIED DIMENSIONS ARE IN INCHES TOLERANCES ARE:		<b>VALUE PLASTICS, INC.</b>	
FRACTIONS ±	DECIMALS .XX ±.01 .XXX ±.005 .XXXX ±.001	ANGULAR ±1°	PART NUMBER: 2050
DO NOT SCALE DRAWING		DESCRIPTION: Straight Through Reduction Connector with Classic Series Barbs, 3/16" (4.75 mm) and 3/32" (2.25 mm) ID Tubing	
DRAWN BY: Frank Lombardi	DATE: 06-10-05	SIZE: B	SCALE: NTS
Engineer/Manager: Rick Cairns		DRAWING NUMBER: 1006888	REV. B
© 2005 VALUE PLASTICS, INC.			SHEET: 1 OF 1

**FOR REFERENCE ONLY**