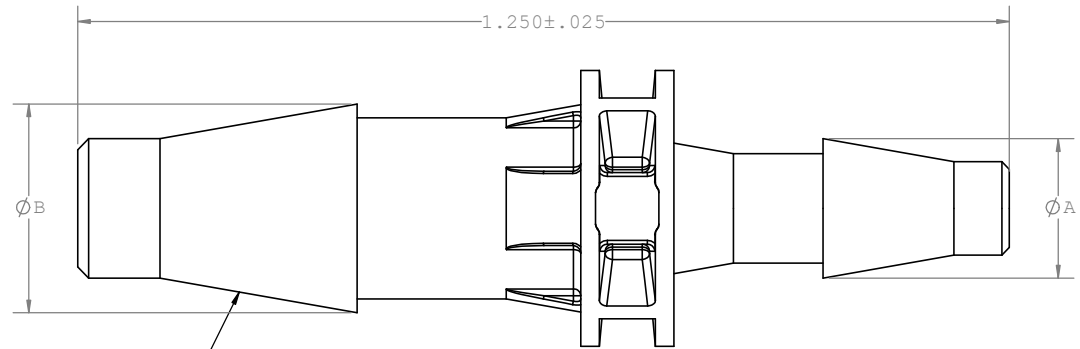
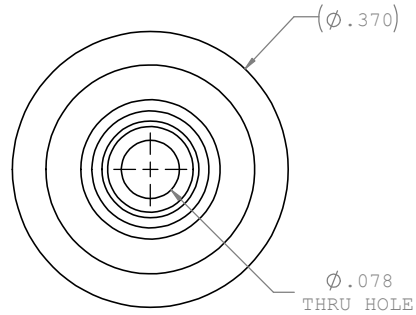
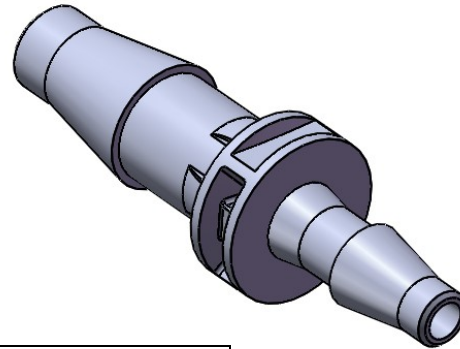


NOTES: FOR ADDITIONAL DETAILS, PLEASE CONTACT VP CUSTOMER SERVICE
 DIMENSIONS MARKED \varnothing ARE CONTROL DIMENSIONS

REVISIONS			
REV.	DESCRIPTION	DATE	APPROVED
A	ECO #0036	03-30-01	
B	CO 018 Drafting Update	08-18-05	RICKC
C	ECO-1335580	04-19-22	FJL
D	ECO 1455645	05-15-23	FJL



2X INSTRUMENT QUALITY PART. NO PARTING LINE PERMITTED ON THIS CONICAL SURFACE



Dimension	Material Specific Tolerances							
	Acetal	Nylon	PP	ABS	PC	PVC	Polysulfone	PVDF
A	0.187	0.187	0.187	0.187	0.189	0.187	0.187	0.187
B	0.280	0.280	0.280	0.280	0.282	0.280	0.280	0.280
C								
D								
E								
F								

UNLESS OTHERWISE SPECIFIED DIMENSIONS ARE IN INCHES TOLERANCES ARE:		VALUE PLASTICS, INC.			
FRACTIONS .XX ±.01 .XXX ±.005 .XXXX ±.001		PART NUMBER: 3050		DESCRIPTION: Straight Through Reduction Connector with 500 Series Barbs, 1/4" (6.25 mm) and 5/32" (4 mm) ID Tubing	
DO NOT SCALE DRAWING		SIZE: B	SCALE: NTS	VER: 1006889	REV: D
DRAWN BY: Frank Lombardi	DATE: 06-10-05	© 2014 VALUE PLASTICS, INC		SHEET: 1 OF 1	

FOR REFERENCE ONLY