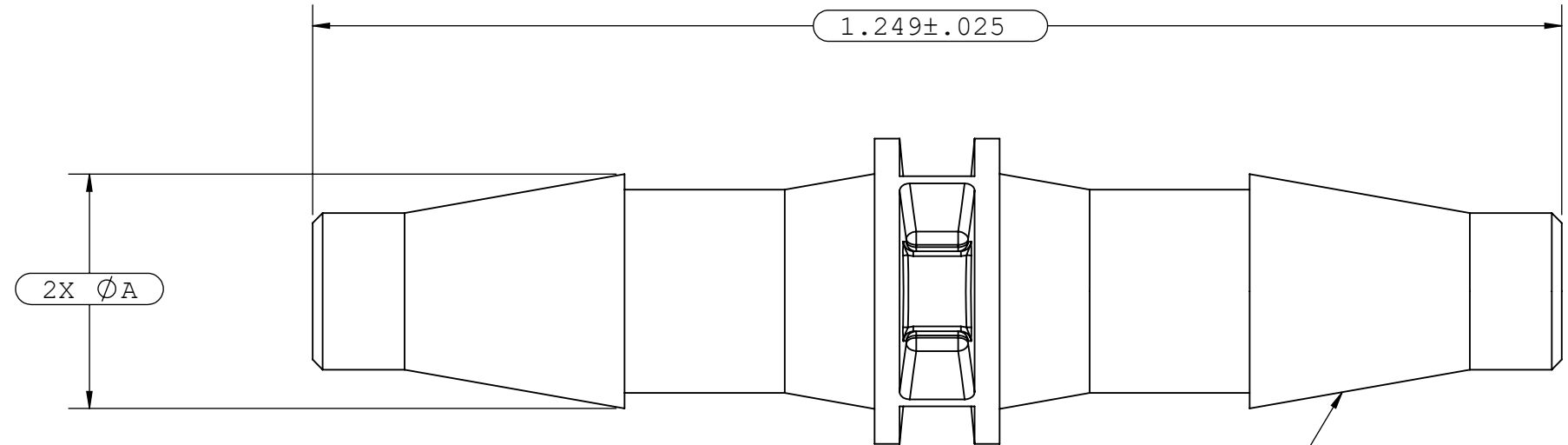
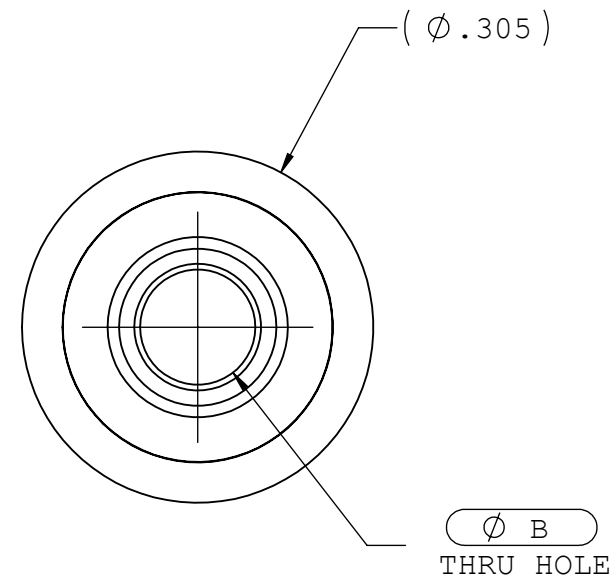
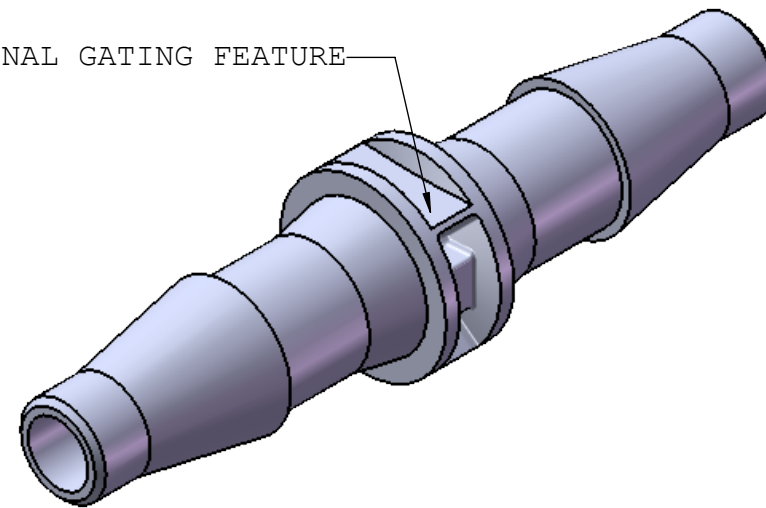


NOTES: FOR ADDITIONAL DETAILS, PLEASE CONTACT VP CUSTOMER SERVICE
 DIMENSIONS MARKED ϕ ARE CONTROL DIMENSIONS

| REVISIONS | | | |
|-----------|------------------------|----------|----------|
| REV. | DESCRIPTION | DATE | APPROVED |
| A | ECO# 0036 | 03-30-01 | |
| B | CO 027 Drafting Update | 10-04-05 | Rick C. |
| C | ECO# 159 | 08-03-10 | Rick C. |
| D | ECO 1081305 | 09-14-20 | FJL |



OPTIONAL GATING FEATURE



2X INSTRUMENT QUALITY PART.
 NO PARTING LINE PERMITTED ON
 THIS CONICAL SURFACE.

| Dimension | Material Specific Tolerances | | | | | | | |
|-----------|------------------------------|-------|-------|-------|-------|-------|-------------|-------|
| | Acetal | Nylon | PP | ABS | PC | PVC | Polysulfone | Kynar |
| A | 0.234 | 0.234 | 0.234 | 0.234 | 0.234 | 0.234 | 0.234 | 0.227 |
| B | 0.100 | 0.100 | 0.100 | 0.100 | 0.100 | 0.100 | 0.100 | 0.095 |
| C | | | | | | | | |
| D | | | | | | | | |
| E | | | | | | | | |
| F | | | | | | | | |

| | | | | | |
|---|-------------------|---|---------------|----------|---------------------------------|
| UNLESS OTHERWISE SPECIFIED DIMENSIONS ARE IN INCHES TOLERANCES ARE: | | VALUE PLASTICS, INC | | | |
| FRACTIONS DECIMAL ANGULAR ± .XX ±.01 ± 1° .XXX ±.005 .XXXX ±.001 | | PART NUMBER: 4040 | | | |
| DO NOT SCALE DRAWING | | DESCRIPTION: Straight Through Connector with Classic Series Barbs, 5/32" (4mm) ID tubing | | | |
| DRAWN BY: shannond | DATE: 8/4/2020 | SIZE: B | SCALE: NTS | VER: | DWG. NO. REV 1007457 D |
| MANAGER: Rick C. | | © 2010 VALUE PLASTICS, INC | | | SHEET: 1 OF 1 |

FOR REFERENCE ONLY