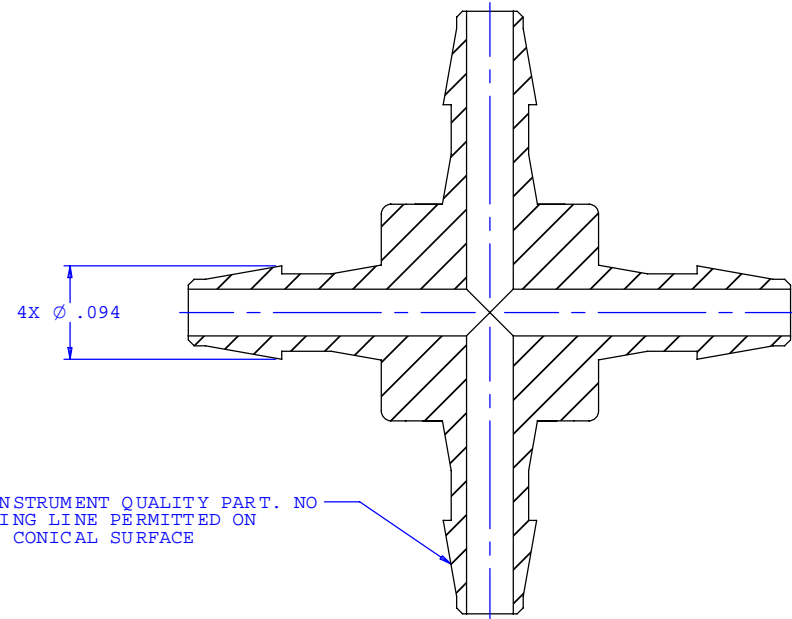
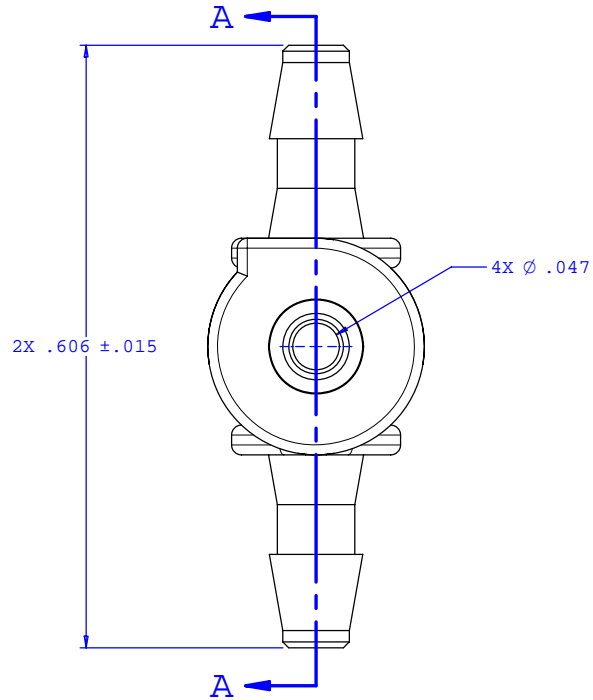
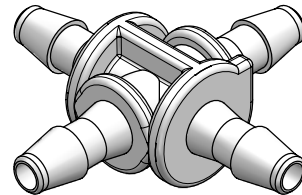


NOTE: FOR MORE DETAILS SEE YOUR V.P. CUSTOMER SERVICE REP.

| REVISIONS | | | |
|-----------|------------------------|----------|----------|
| REV. | DESCRIPTION | DATE | APPROVED |
| A | INITIAL RELEASE | 04-30-02 | |
| B | CO 046 Drafting Update | 6-20-06 | Rick C. |



SECTION A-A



| | | | |
|---|---|--|--|
| UNLESS OTHERWISE SPECIFIED DIMENSIONS ARE IN INCHES TOLERANCES ARE: | | VALUE PLASTICS, INC. | |
| FRACTIONS ± | DECIMALS .XX ±.01 .XXX ±.005 .XXXX ±.001 | ANGULAR ±1° | PART NUMBER: 4PX210 |
| DO NOT SCALE DRAWING | | DESCRIPTION: Four-port Cross Style Manifold with 200 Series Barbs for 1/16" (1.5 mm) ID Tubing | |
| DRAWN BY: Frank Lombardi | DATE: 05-01-06 | SIZE: B SCALE: NTS | DRAWING NUMBER: 1008706 REV. B |
| Engineer/Manager: Rick Cairns | | © 2006 VALUE PLASTICS, INC. SHEET: 1 OF 1 | |

FOR REFERENCE ONLY