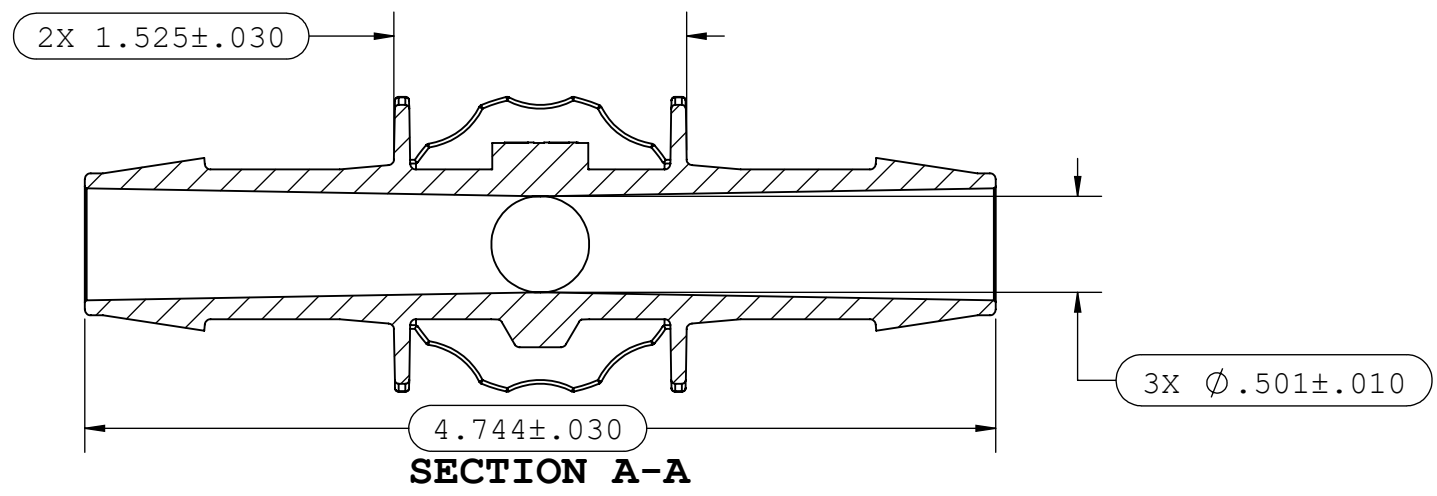
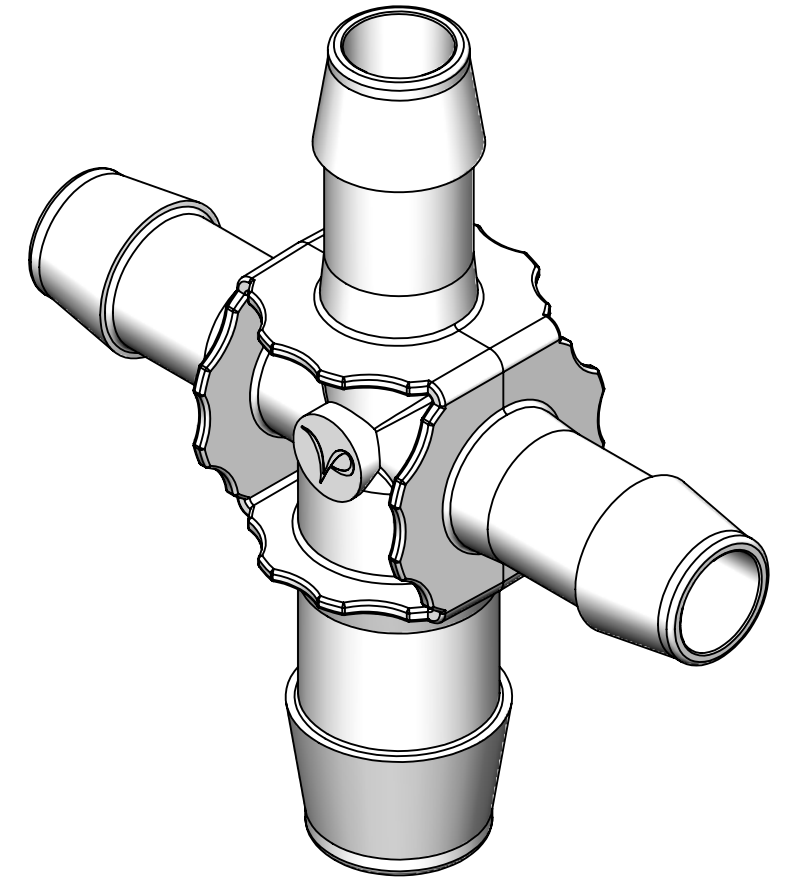
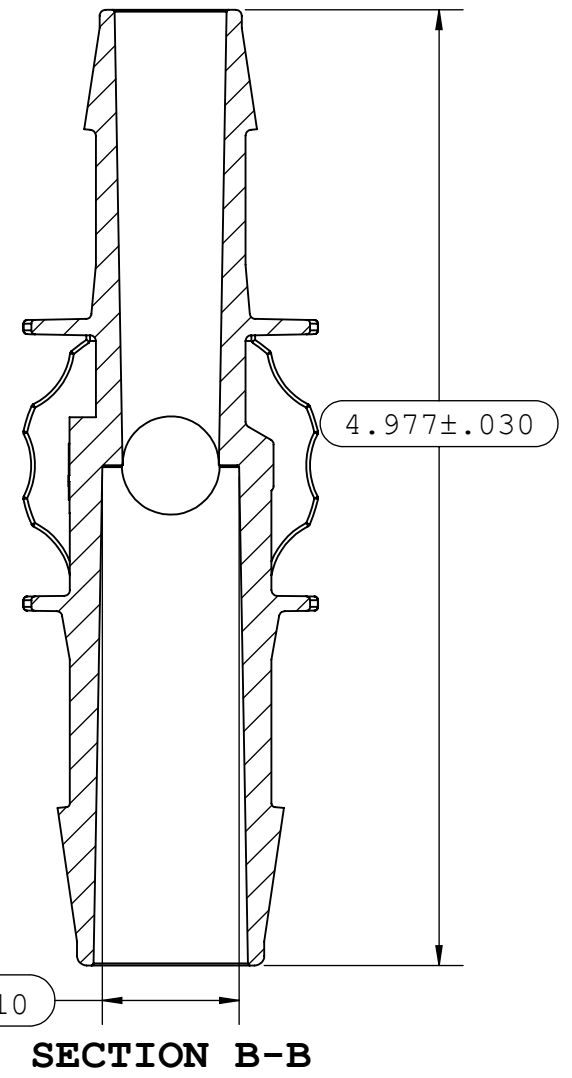
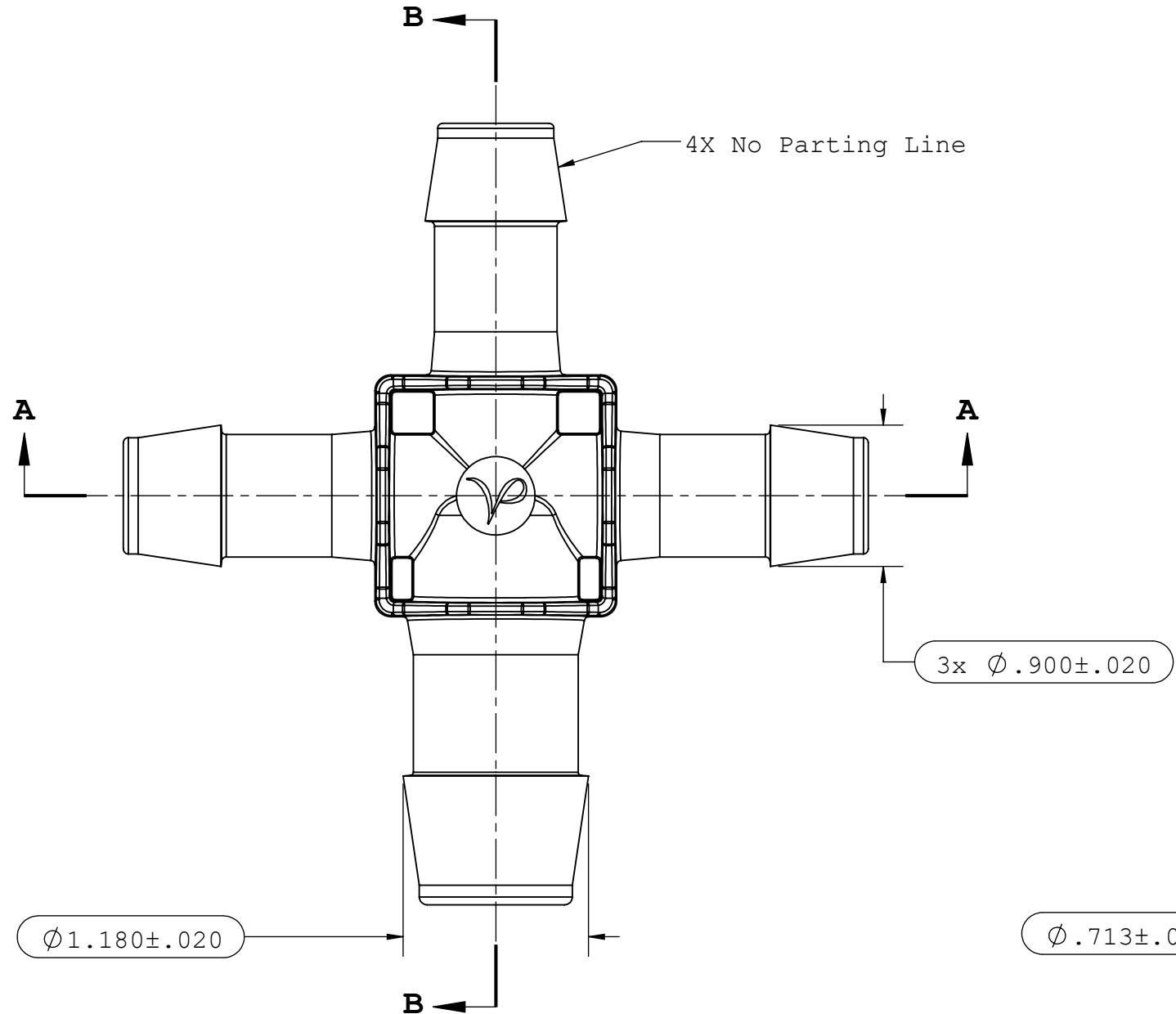


NOTES: FOR ADDITIONAL DETAILS, PLEASE CONTACT VP CUSTOMER SERVICE
 DIMENSIONS MARKED  ARE CONTROL DIMENSIONS

REVISIONS			
REV.	DESCRIPTION	DATE	APPROVED
A	INITIAL RELEASE	04-30-21	FJL



UNLESS OTHERWISE SPECIFIED DIMENSIONS ARE IN INCHES TOLERANCES ARE:		VALUE PLASTICS, INC					
FRACTIONS	DECIMAL					ANGULAR	
±	.XX ±.01	± 1°	PART NUMBER: 4PX6110-6100				
	.XXX ±.005		DESCRIPTION: Cross Connector Reducer with 600 Series Barbs, 1" (25.4mm) to 3/4" (19.0mm) ID Tubing				
	.XXXX ±.001		SIZE: B	SCALE: NTS	VER:	DWG. NO. 1184141	REV: A
DO NOT SCALE DRAWING		DRAWN BY: caleb.spencer		DATE: 4/30/2021		© 2014 VALUE PLASTICS, INC	
MANAGER: Frank.Lombardi		SHEET: 1 OF 1					

FOR REFERENCE ONLY