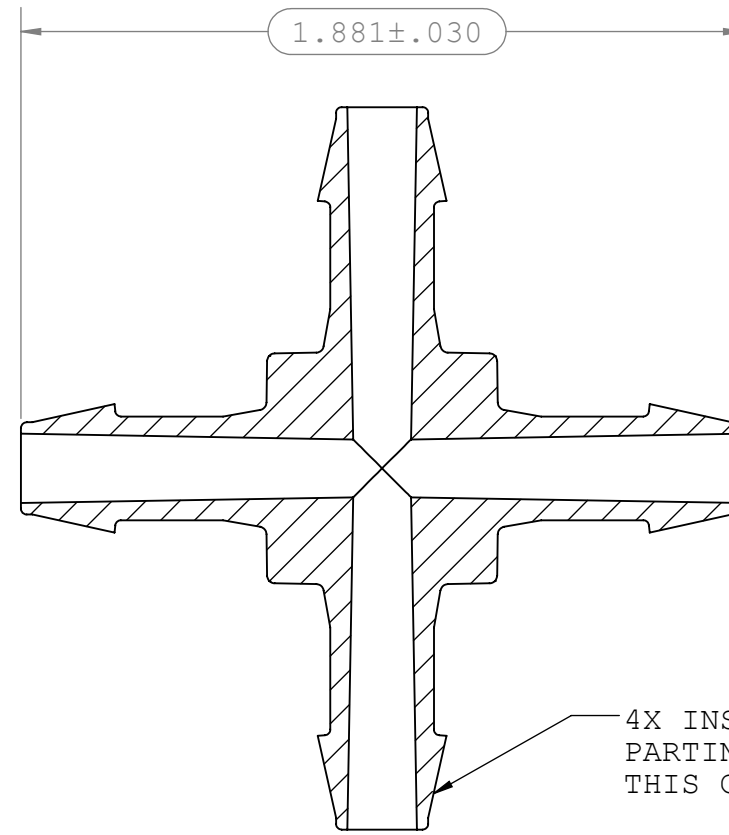
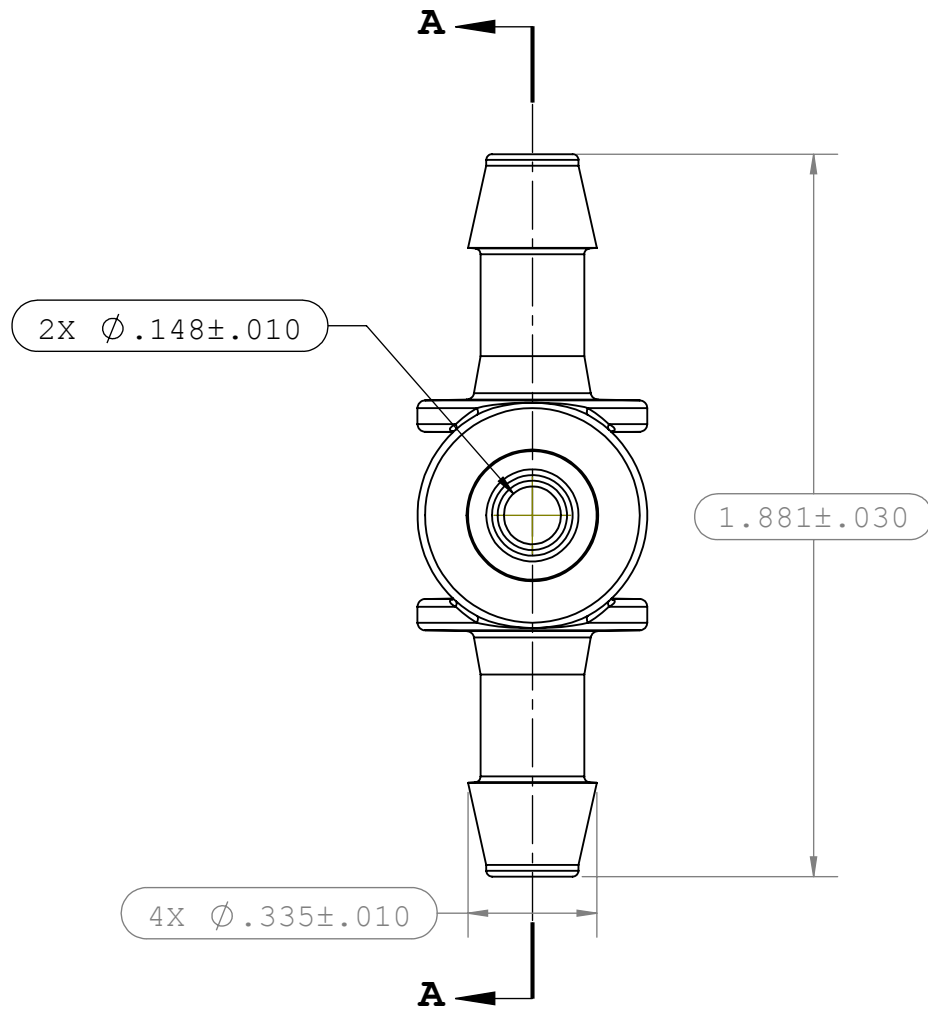
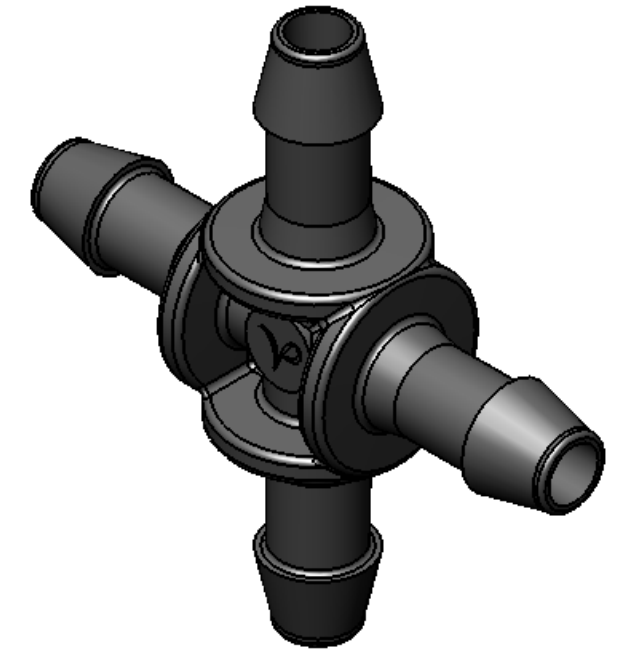


NOTES: FOR ADDITIONAL DETAILS, PLEASE CONTACT VP CUSTOMER SERVICE  
 DIMENSIONS MARKED  $\varnothing$  ARE CONTROL DIMENSIONS

REVISIONS			
REV.	DESCRIPTION	DATE	APPROVED
A	INITIAL RELEASE	03-07-14	S.N.R



SECTION A-A



UNLESS OTHERWISE SPECIFIED DIMENSIONS ARE IN INCHES TOLERANCES ARE:		<b>VALUE PLASTICS, INC</b>			
FRACTIONS    DECIMAL    ANGULAR $\pm$ .XX $\pm$ .01 $\pm$ 1° .XXX $\pm$ .005 .XXXX $\pm$ .001 DO NOT SCALE DRAWING		PART NUMBER: 4PX655			
DESCRIPTION: Four Port Cross Style Manifold with 600 Series Barbs for 1/4" (6.4mm) ID Tubing		SIZE:	SCALE:	VER:	DWG. NO.
DRAWN BY: Jonathan Mayer	DATE: 3/7/2014	<b>B</b>	NTS		1029783
MANAGER: Ravi Narayanan		© 2011 VALUE PLASTICS, INC			REV: A
SHEET: 1 OF 1					

**FOR REFERENCE ONLY**