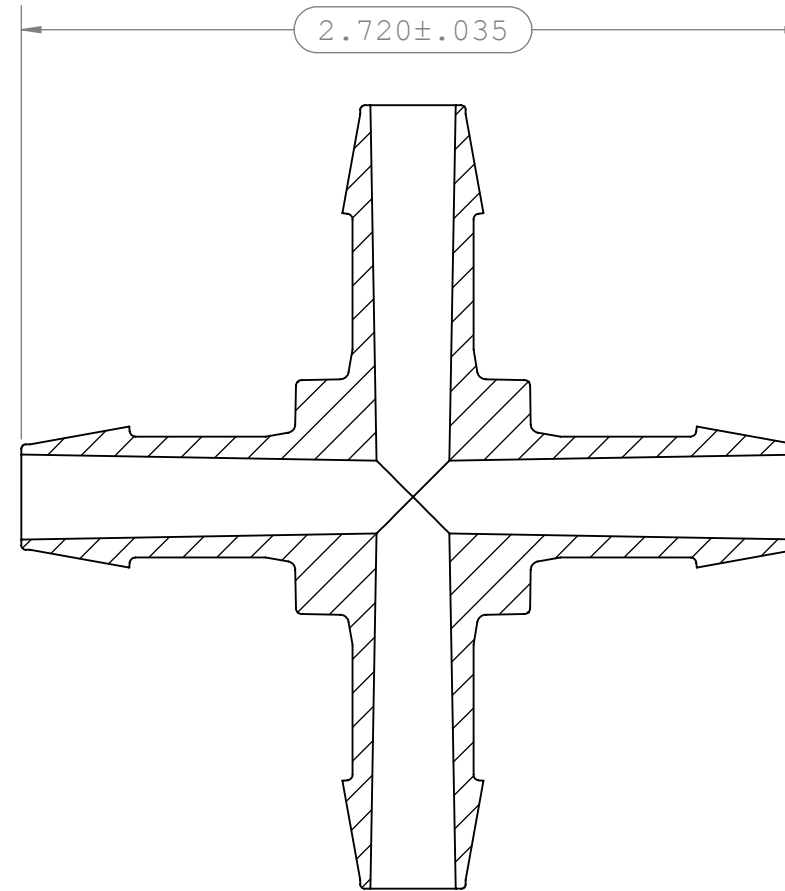
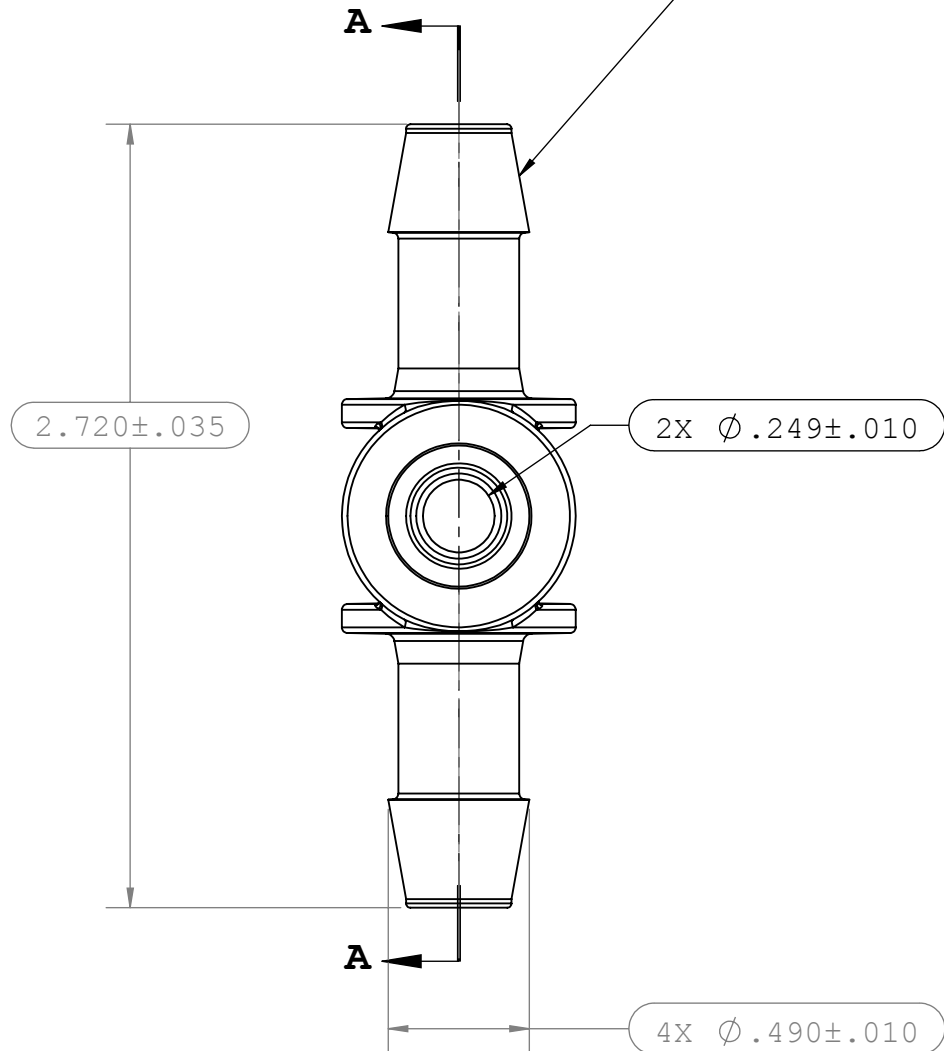


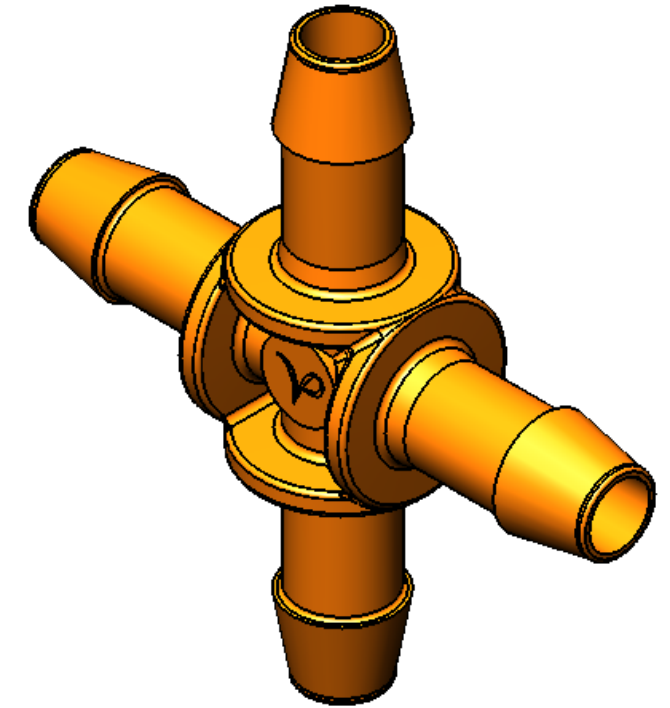
NOTES: FOR ADDITIONAL DETAILS, PLEASE CONTACT VP CUSTOMER SERVICE  
 DIMENSIONS MARKED  $\varnothing$  ARE CONTROL DIMENSIONS

REVISIONS			
REV.	DESCRIPTION	DATE	APPROVED
A	INITIAL RELEASE	03-07-14	S.N.R

4X INSTRUMENT QUALITY PART. NO PARTING LINES PERMITTED ON THIS CONICAL SURFACE.



SECTION A-A



UNLESS OTHERWISE SPECIFIED DIMENSIONS ARE IN INCHES TOLERANCES ARE:		<b>VALUE PLASTICS, INC</b>			
FRACTIONS	DECIMAL				
±	.XX ±.01	± 1°			
	.XXX ±.005				
	.XXXX ±.001				
DO NOT SCALE DRAWING		PART NUMBER: 4PX670			
DESCRIPTION: Four Port Cross Style Manifold with 600 Series Barbs for 3/8" (9.5mm) ID Tubing		DESCRIPTION: Four Port Cross Style Manifold with 600 Series Barbs for 3/8" (9.5mm) ID Tubing			
DRAWN BY: Jonathan Mayer	DATE: 3/7/2014	SIZE: <b>B</b>	SCALE: NTS	VER:	DWG. NO. 1029784
MANAGER: Ravi Narayanan		© 2011 VALUE PLASTICS, INC			REV: A
				SHEET: 1 OF 1	

**FOR REFERENCE ONLY**