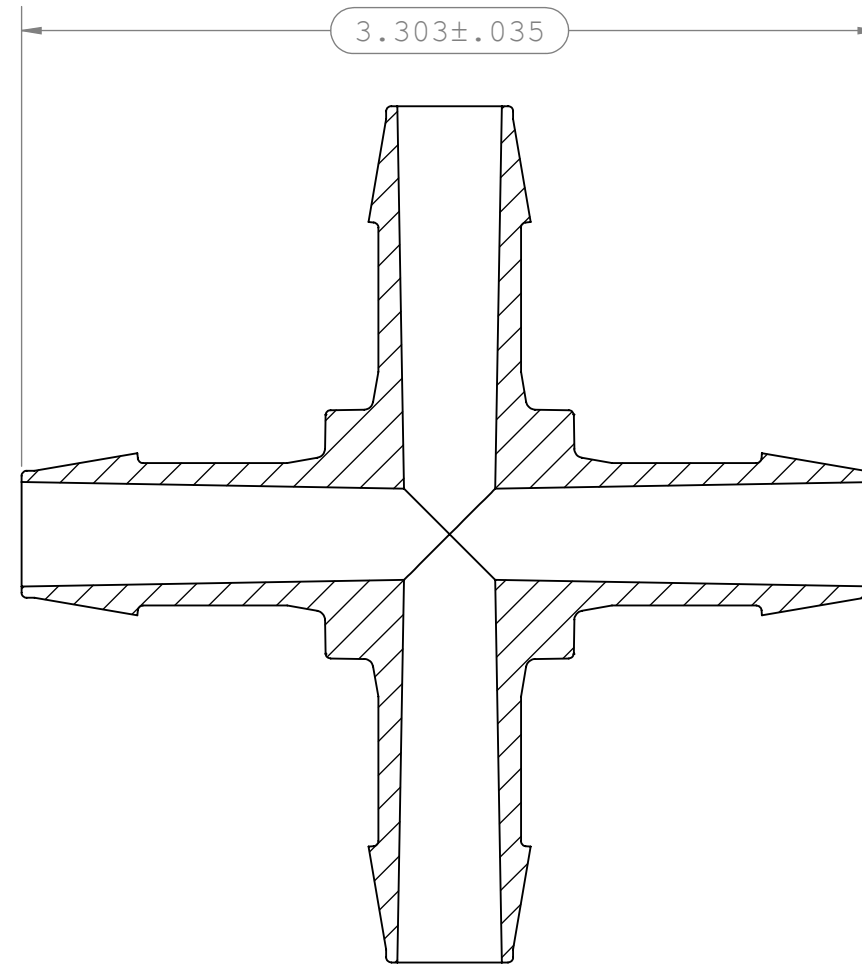
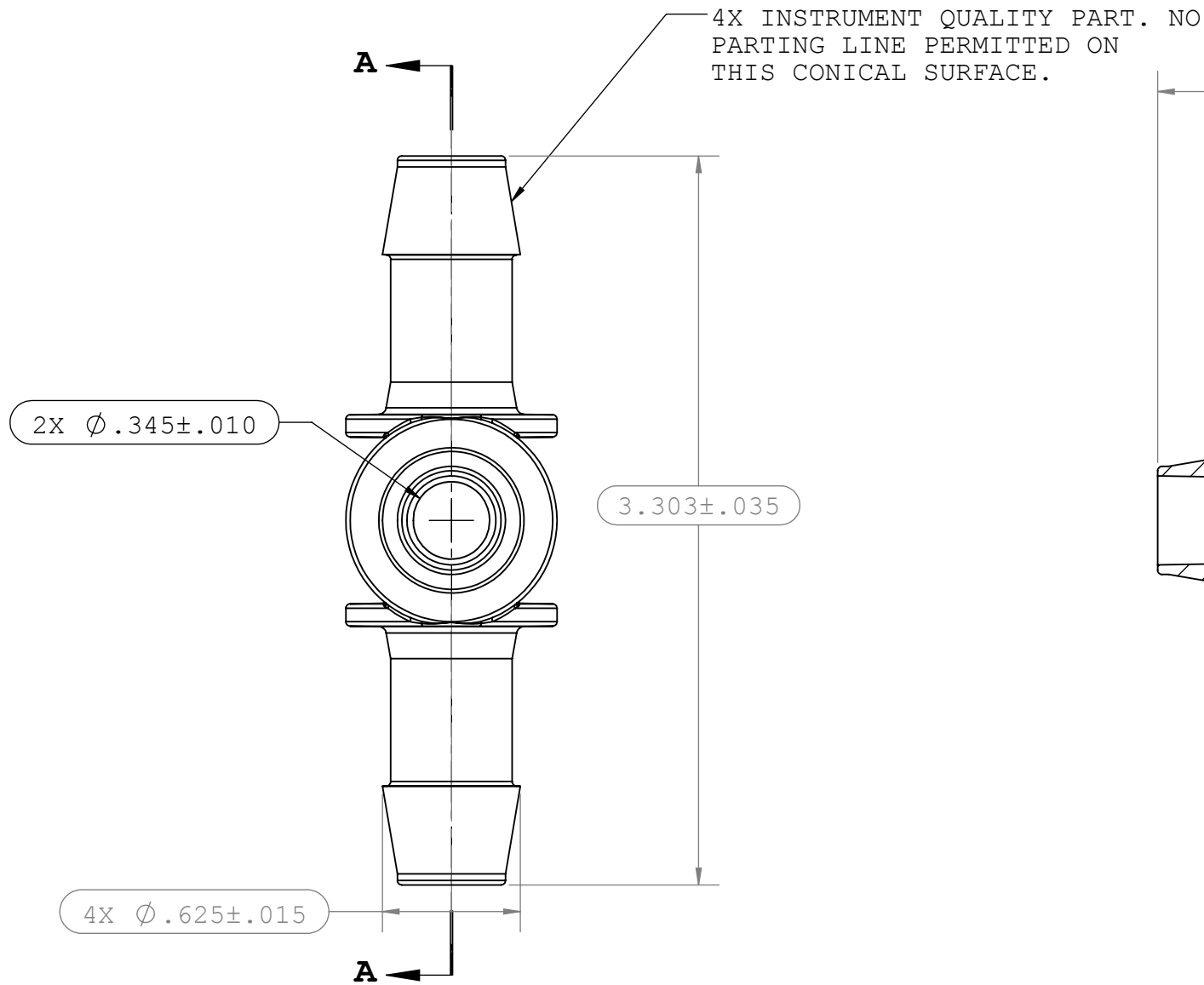
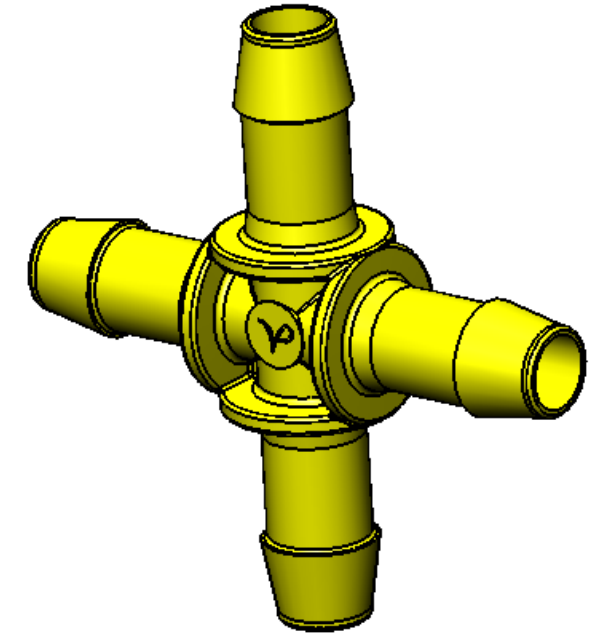


NOTES: FOR ADDITIONAL DETAILS, PLEASE CONTACT VP CUSTOMER SERVICE  
 DIMENSIONS MARKED  $\varnothing$  ARE CONTROL DIMENSIONS

REVISIONS			
REV.	DESCRIPTION	DATE	APPROVED
A	INITIAL RELEASE	03-26-14	S.N.R



SECTION A-A



UNLESS OTHERWISE SPECIFIED DIMENSIONS ARE IN INCHES TOLERANCES ARE:		<b>VALUE PLASTICS, INC</b>			
FRACTIONS    DECIMAL    ANGULAR ±            .XX ±.01            ± 1° .XXX ±.005 .XXXX ±.001		PART NUMBER: 4PX680			
DO NOT SCALE DRAWING		DESCRIPTION: Four Port Cross Style Manifold with 600 Series Barbs for 1/2" (12.7mm) ID Tubing			
DRAWN BY: Jonathan Mayer	DATE: 3/26/2014	SIZE: <b>B</b>	SCALE: NTS	VER: 	DWG. NO. 1029785
MANAGER: Ravi Narayanan		© 2011 VALUE PLASTICS, INC			REV A
				SHEET: 1 OF 1	

**FOR REFERENCE ONLY**