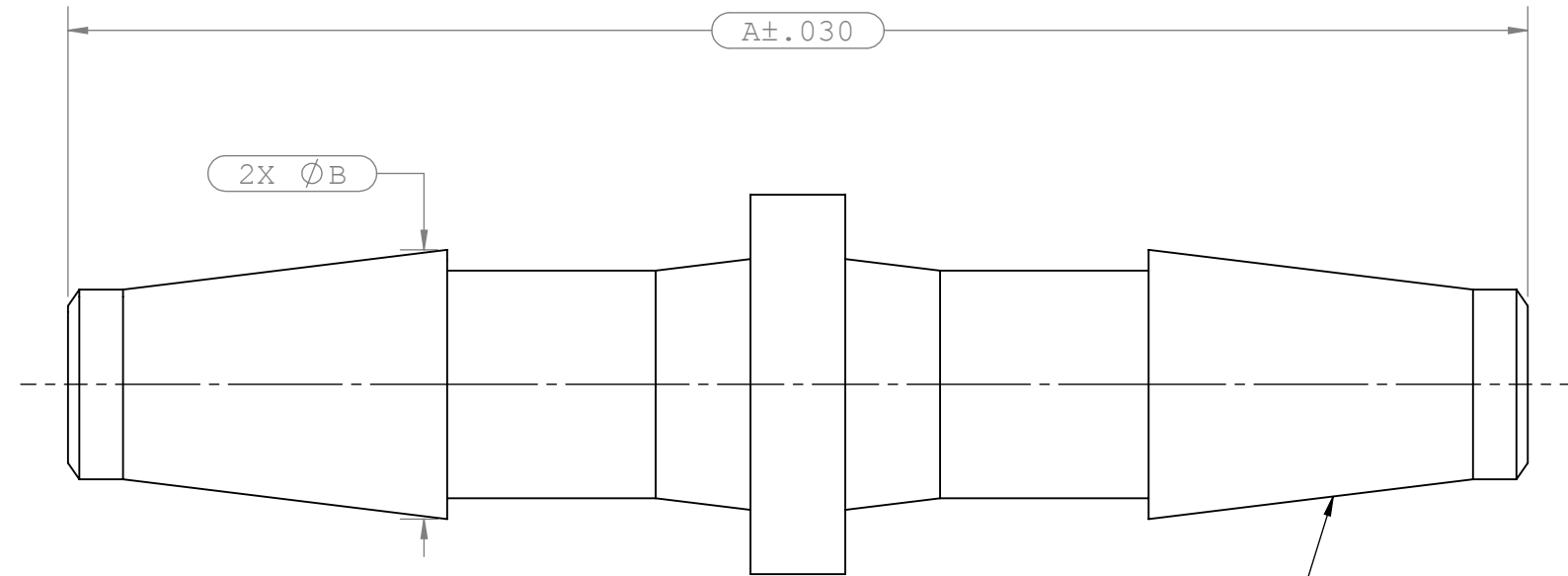
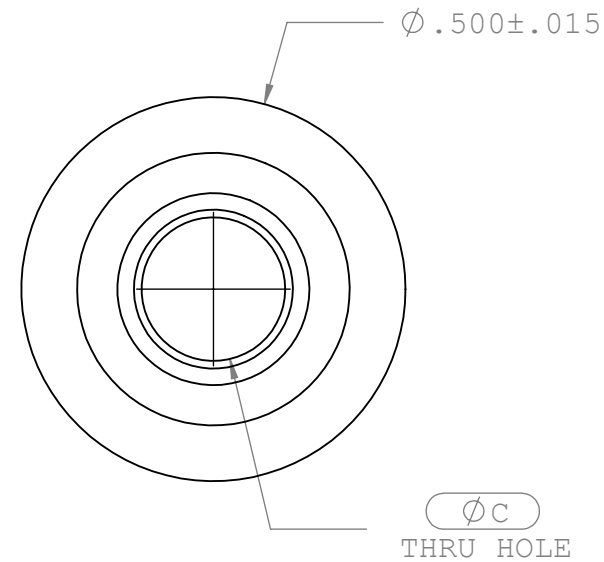
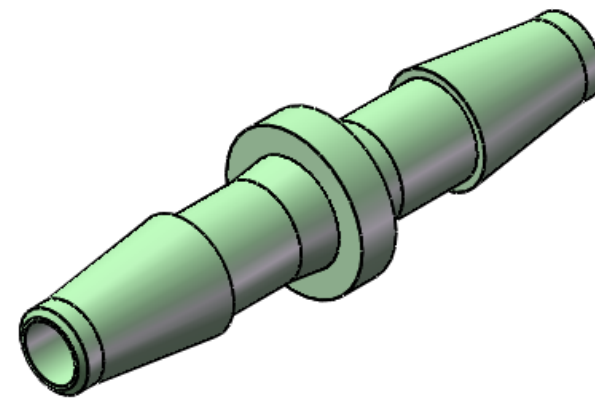


NOTES: FOR ADDITIONAL DETAILS, PLEASE CONTACT VP PRODUCT DEVELOPMENT  
 DIMENSIONS MARKED  $\varnothing$  ARE CONTROL DIMENSIONS

REVISIONS			
REV.	DESCRIPTION	DATE	APPROVED
A	INITIAL RELEASE	10-14-97	
B	CO 047 Drafting Update	10-04-05	Rick C.
C	ECO 087 Change OAL to 'A'	07-09-08	Rick C.
D	ECO 161 Add PETG Material	01-15-2010	Rick C.



2X INSTRUMENT QUALITY PART.  
 NO PARTING LINE PERMITTED ON  
 THIS CONICAL SURFACE



Dimension	Material Specific Tolerances								
	Acetal	Nylon	PP	ABS	PC	PVC	Polysulfone	PVDF	PETG
A	1.925	1.925	1.925	1.925	1.925	1.925	1.925	1.887	1.925
B	.355	.355	.355	.355	.355	.355	.355	.350	.355
C	.187	.187	.187	.187	.187	.187	.187	.183	.187
D									
E									
F									

UNLESS OTHERWISE SPECIFIED DIMENSIONS ARE IN INCHES TOLERANCES ARE:		<b>VALUE PLASTICS, INC</b>			
FRACTIONS    DECIMAL    ANGULAR ±                .XX ±.01            ± 1° .XXX ±.005 .XXXX ±.001		PART NUMBER: 6060			
DO NOT SCALE DRAWING		DESCRIPTION: Straight Through Connector with Classic Series Barbs, 1/4" (6.25 mm) ID Tubing			
DRAWN BY: RICKC	DATE: 1/15/2010	SIZE: <b>B</b>	SCALE: NTS	VER: 1007460	DWG. NO. 1007460
ENGINEERING MGR: R. CAIRNS		© 2008 VALUE PLASTICS, INC		SHEET: 1 OF 1	

**FOR REFERENCE ONLY**