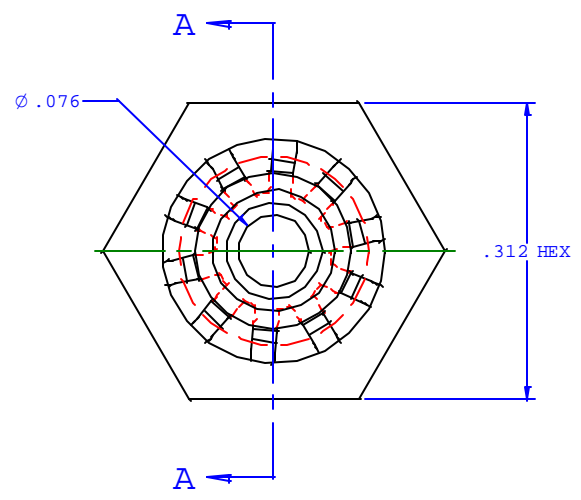
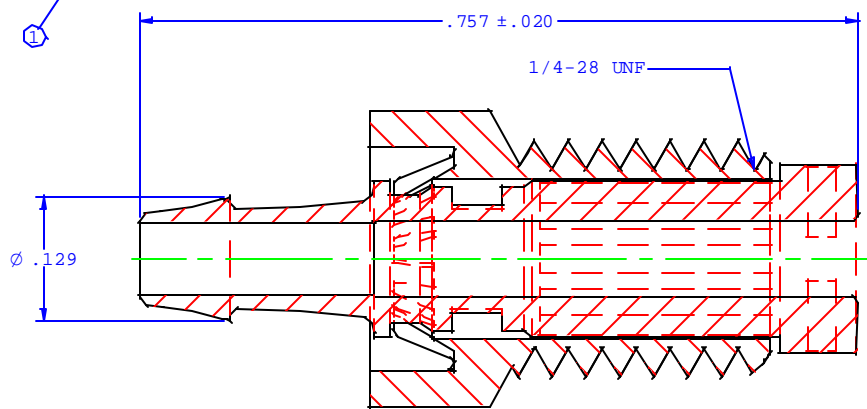
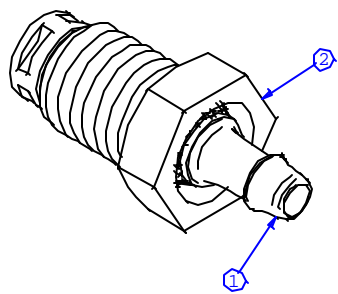


REVISIONS			
REV	DESCRIPTION	DATE	APPROVED



SECTION A-A

Item Number	Part Number	Revision	Description	Quantity
1*	RS		ROTATING 1/4-28 UNF THREAD	1
2*	BSUB007	A	ROTATING UNIFORM BORE TO #007 BARB	1

UNLESS OTHERWISE SPECIFIED DIMENSIONS ARE IN INCHES TOLERANCES ARE:		VALUE PLASTICS, INC.	
FRACTIONS ±	DECIMALS .XX ±.01 .XXX ±.005	ANGULAR ±1°	PART NUMBER: ABR007
DO NOT SCALE DRAWING			DESCRIPTION: 1/4-28 UNF BOTTOM SEALING ROTATING THREAD WITH 5/16" HEX TO 500 SERIES BARB, 3/32" (2.25MM) ID TUBING
DRAWN BY: SUE CORAM	SCALE: NTS	DRAWING NUMBER:	REV.
DATE: 06-12-01	© 1999 VALUE PLASTICS, INC.		SHEET:

FOR REFERENCE ONLY